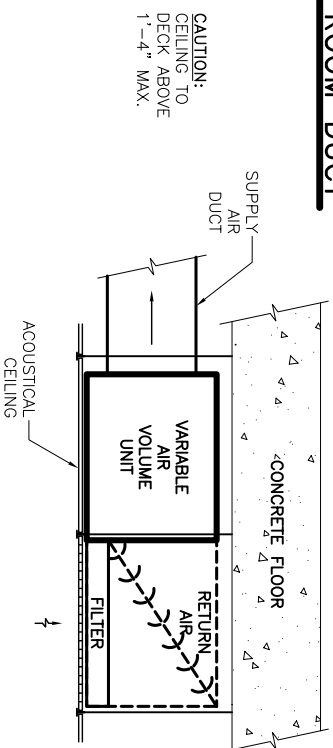
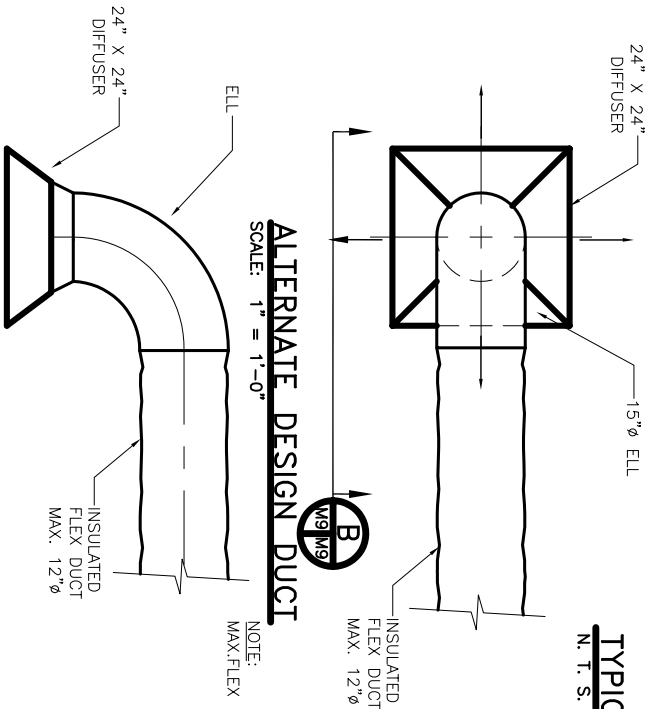


TYPICAL ROOM DUCT  
N. T. S.



TYPICAL VAV UNIT DETAIL  
N. T. S.

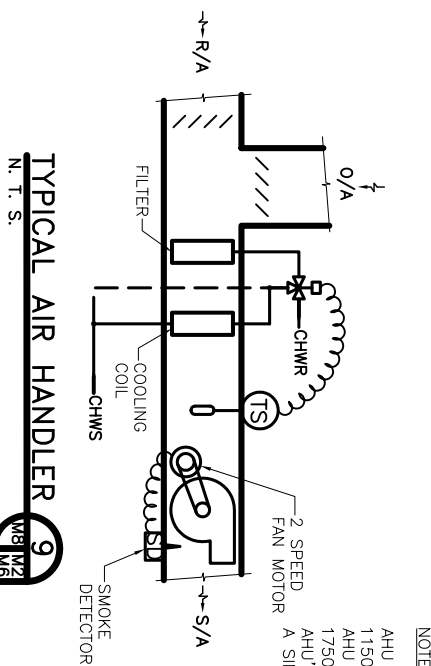


ALTERNATE DESIGN DUCT  
SCALE: 1" = 1'-0"

SECTION  
SCALE: 1" = 1'-0"

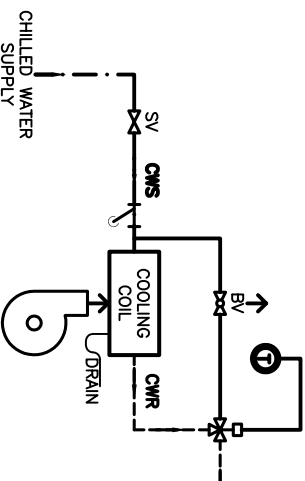
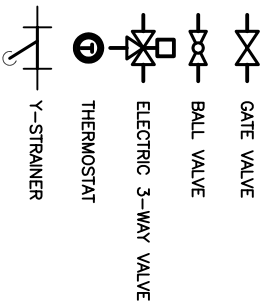
EXHAUST FAN SCHEDULE

| NUMBER REQUIRED | LOCATION OF FAN            | CFM REQUIRED (STATION PRESSURE) | HORSEPOWER | FAN TYPE (OR EQUAL)   |
|-----------------|----------------------------|---------------------------------|------------|---|
| 2               | STAIR TOWER AIR SUPPLY     | 1,280                           | 0.12       | HARTZELL 12" AQ2SH1240--STA0A03 277 V./3Ø/ 60Hz / 0.25hp PROPELLER FAN    |
| 2               | EXECUTIVE TOILETS EXHAUST  | 40                              | 0.04       | BROAN QT1XE650 120 V./1Ø/ 60 Hz/ 36 W                                     |
| 1               | OUTSIDE AIR INTAKE ON ROOF | 5,480                           | 0.50       | HARTZELL 24" A15FH248PA--STA0A3 277 V./3Ø 60Hz 1.0 H.P. HOODED VENTILATOR |
| 2               | 6th FLOOR TOILETS EXHAUST  | 475                             | 0.25       | BROAN LOSONE L700L 120 V./1Ø/ 60 Hz/ 313 W                                |
| 2               | 5th FLOOR TOILETS EXHAUST  | 475                             | 0.25       | BROAN LOSONE L700L 120 V./1Ø/ 60 Hz/ 232 W                                |
| 2               | 4th FLOOR TOILETS EXHAUST  | 475                             | 0.25       | BROAN LOSONE L700L 120 V./1Ø/ 60 Hz/ 313 W                                |
| 2               | 3rd FLOOR TOILETS EXHAUST  | 475                             | 0.25       | BROAN LOSONE L700L 120 V./1Ø/ 60 Hz/ 232 W                                |
| 2               | 2nd FLOOR TOILETS EXHAUST  | 465                             | 0.25       | BROAN LOSONE L500L 120 V./1Ø/ 60 Hz/ 232 W                                |
| 2               | 1st FLOOR TOILETS EXHAUST  | 250                             | 0.25       | BROAN LOSONE L250L 120 V./1Ø/ 60 Hz/ 232 W                                |

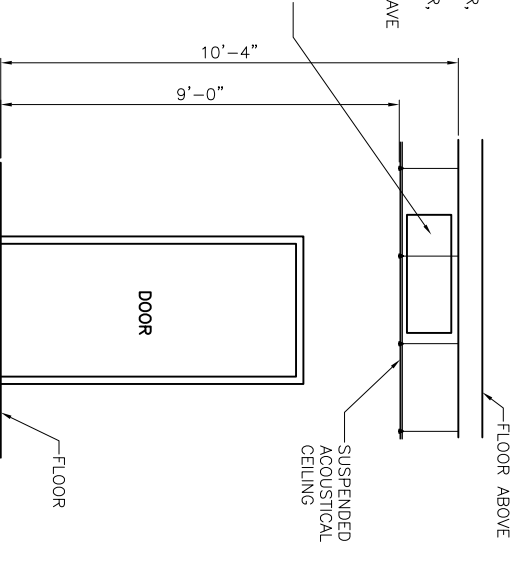


TYPICAL AIR HANDLER  
N. T. S.

SYMBOL LEGEND  
SYMBOL LEGEND APPLIES TO ALL MECHANICAL & PIPING.



TYPICAL PIPING AT AHU  
N. T. S.

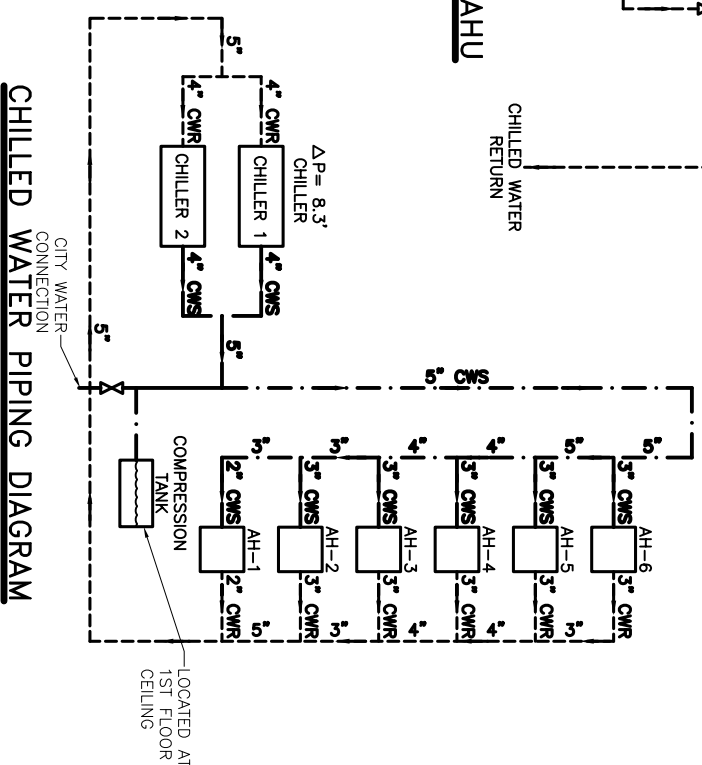


RETURN AIR OPENING DETAIL  
(TYP FLOORS 2 THRU 6)  
N. T. S.

| EXHAUST FAN SCHEDULE |     |        |         |
|----------------------|-----|--------|---------|
| FLOOR                | CFM | SP     | LAT     |
| 1                    | 250 | 0.375" | 34.136  |
| 2                    | 250 | 0.375" | 41.061  |
| 3                    | 225 | 0.375" | 39.408  |
| 4                    | 250 | 0.375" | 44.296  |
| 5                    | 250 | 0.375" | 44.959  |
| 6                    | 100 | 0.375" | 139.152 |

| SCHEDULE OF AHU UNITS |        |         |        |
|-----------------------|--------|---------|--------|
| FLOOR                 | CFM    | SEN     | LAT    |
| 1                     | 3,150  | 76,680  | 51,680 |
| 2                     | 12,520 | 213,953 | 42,976 |
| 3                     | 11,625 | 278,401 | 46,672 |
| 4                     | 13,300 | 319,219 | 44,296 |
| 5                     | 10,740 | 270,711 | 42,216 |
| 6                     | 11,000 | 279,188 | 55,000 |

SEE VAV UNITS W/ EDH SPACE CONDITIONS.  
75°F, 40% RH.  
\*\* 2 SPD. 1150/1150 RPM MOTOR.  
\*\*\* 2 SPD. 1750/850 RPM MOTOR.



CHILLED WATER PIPING DIAGRAM

HVAC EQUIPMENT SCHEDULE - SCROLL CHILLERS

| NUMBER REQUIRED | TONS | TEMPERATURES | MAX GPM FLOW | HEAD PRESSURE | ELECT POWER | MODEL           |
|-----------------|------|--------------|--------------|---------------|-------------|-----------------|
| 2               | 80   | IN 50 OUT 40 | 50           | 193           | 460/3/60    | CARRIER 30RBR80 |

RENOVATE OFFICE BUILDING  
**DAMMON ENGINEERING. INC.**  
 1095 FLORIDA AVENUE 985-649-5832 SLIDELL, LA. 70458  
 DAMMONENGINEERING.COM

HVAC SYSTEM SCHEDULES & DETAILS  
 ST. TAMMANY PARISH ADMIN. COMPLEX  
 520 OLD SPANISH TRAIL  
 SLIDELL, LOUISIANA

FILE:  
 JOB NO. 1729  
 DATE: 1-8-07  
 SHEET  
 M-8  
 OF

SCALE: AS NOTED