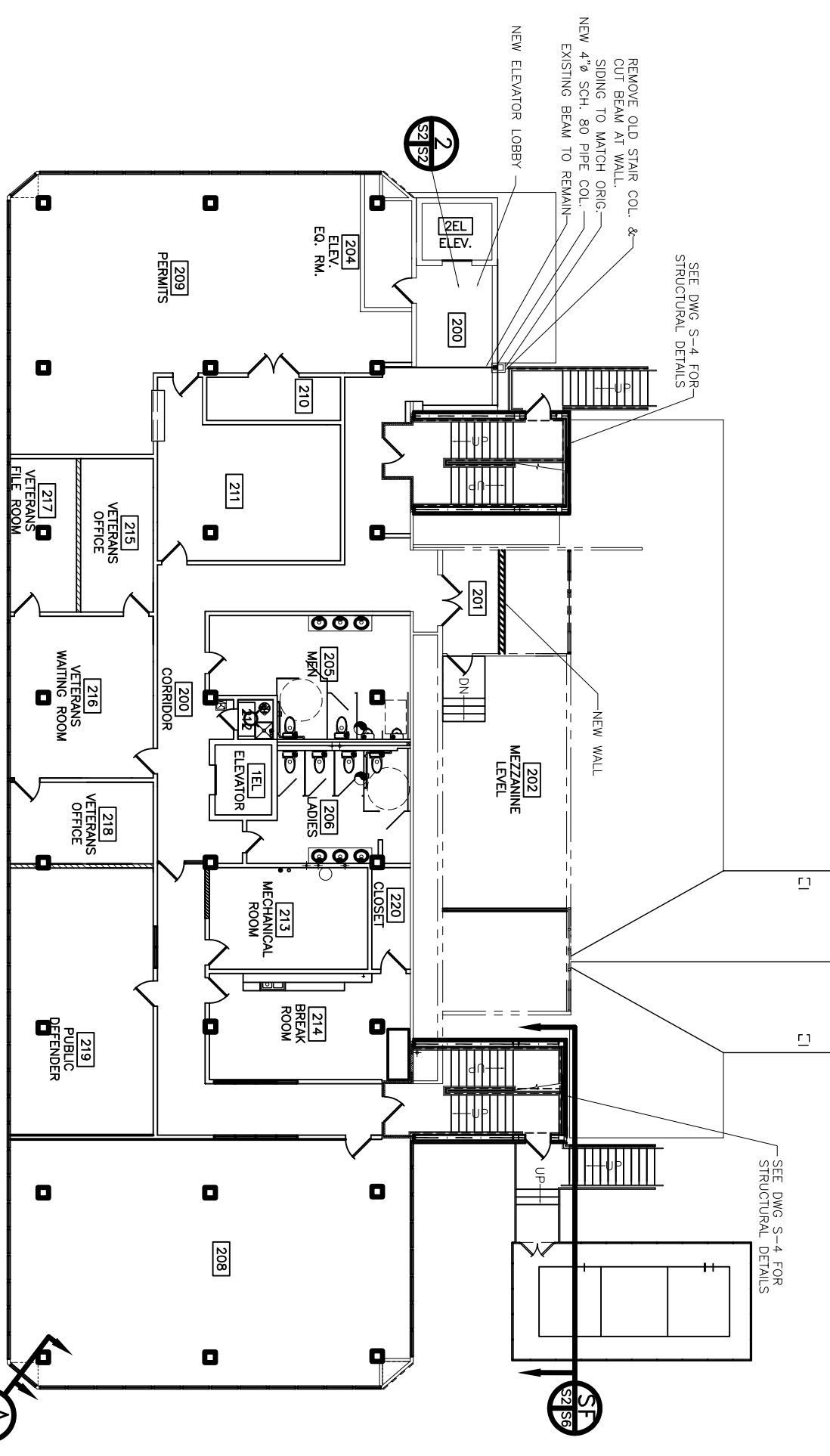
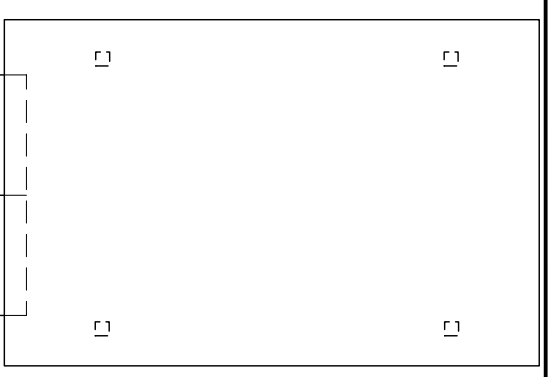
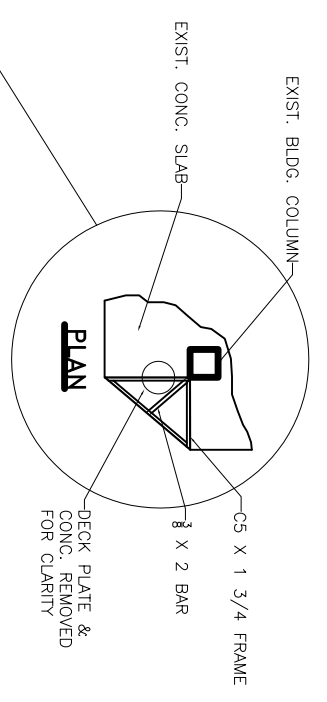
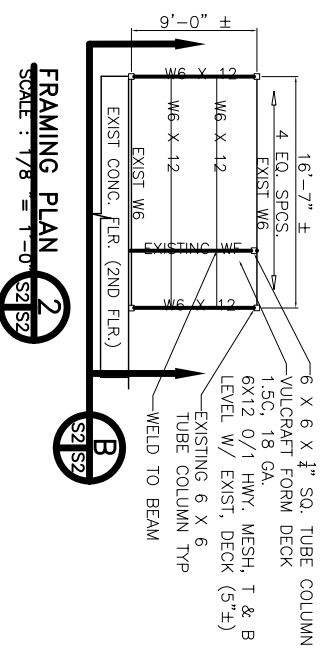


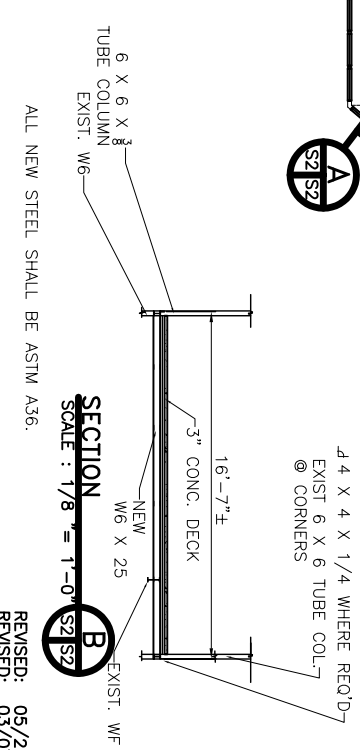
SECTION A
SCALE: 1/4" = 1'-0" S2/S2



SECOND FLOOR STRUCTURAL PLAN
SCALE: 1/8" = 1'-0" S2/S2



FRAMING PLAN 2
SCALE: 1/8" = 1'-0" S2/S2



SECTION B
SCALE: 1/8" = 1'-0" S2/S2

SCALE:AS NOTED FILE: JOB NO. 1729 DATE:1-8-07 SHEET S-2 OF	RENOVATE OFFICE BUILDING DAMMON ENGINEERING, INC. 1095 FLORIDA AVENUE 985-649-6832 SLIDELL, LA. 70458 DAMMONENGINEERING.COM	2ND FLOOR STRUCTURAL PLAN
		ST. TAMMANY PARISH ADMIN. COMPLEX 520 OLD SPANISH TRAIL SLIDELL, LOUISIANA

REVISED: 09/21/07ab
REVISED: 09/07/07db