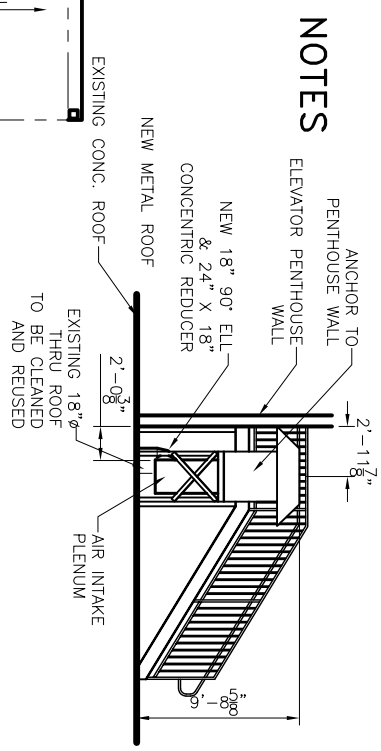
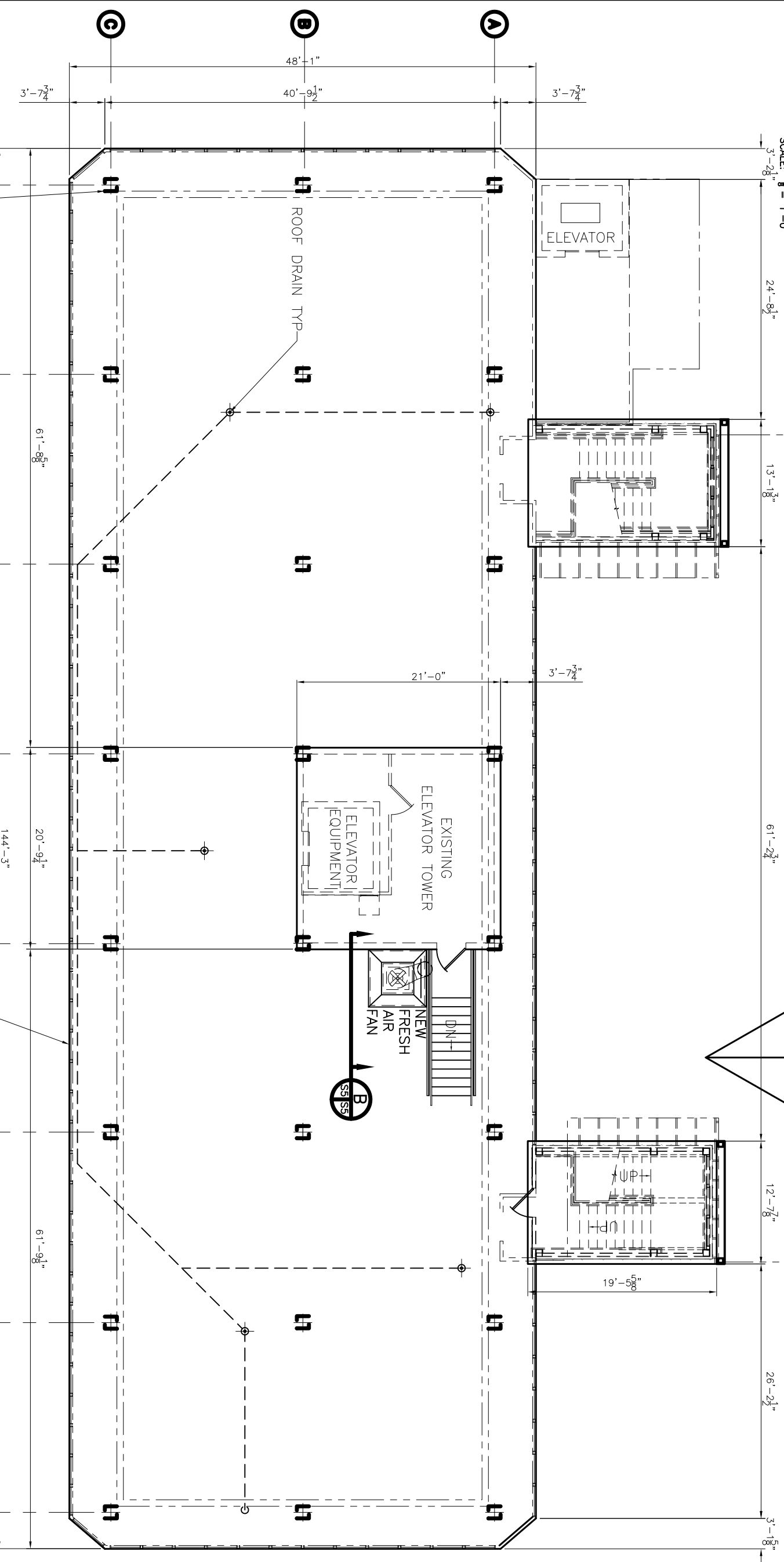


SEE DRAWING S-5  
IN ALTERNATE BID PACKAGE  
FOR NEW METAL ROOF & PARAPET  
(ALTERNATE BID PKG. #1)



**SECTION B**  
SCALE: 1/8" = 1'-0"



1 EXISTING BUILDING COLUMNS  
BELOW ROOF  
SHOWN FOR REFERENCE ONLY

**4 ROOF PLAN**  
SCALE: 3/16" = 1'-0"

REVISED: 05/11/07ab  
REVISED: 05/07/07ab  
REVISED: 03/01/07ab  
REVISED: 02/19/07

**ROOF RENOVATION PLAN**  
ST. TAMMANY PARISH ADMIN. COMPLEX  
520 OLD SPANISH TRAIL  
SLIDELL, LOUISIANA

RENOVATE OFFICE BUILDING  
**DAMMON ENGINEERING. INC.**  
1095 FLORIDA AVENUE 985-649-5832 SLIDELL, LA. 70458  
DAMMONENGINEERING.COM

SCALE: AS NOTED  
FILE:  
JOB NO. 1729  
DATE: 1-8-07  
SHEET  
S-5  
OF