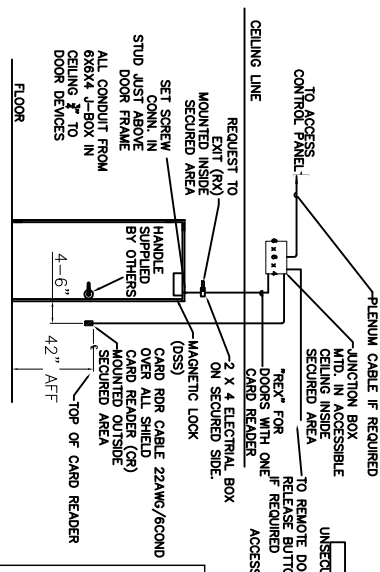
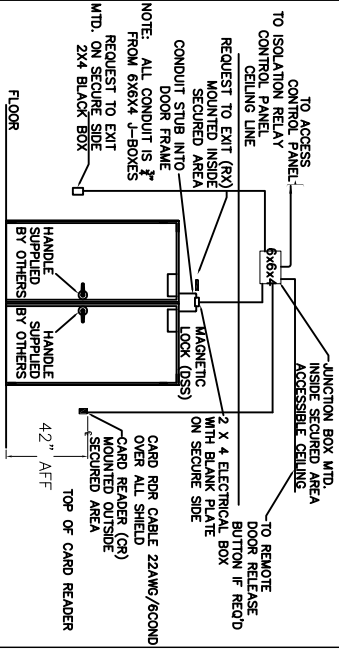


**ACCESS CONTROL
SINGLE DOOR WITH CARD READER,
MAGNETIC LOCK, REX, JUNCTION
BOX, DOOR CONTACT**

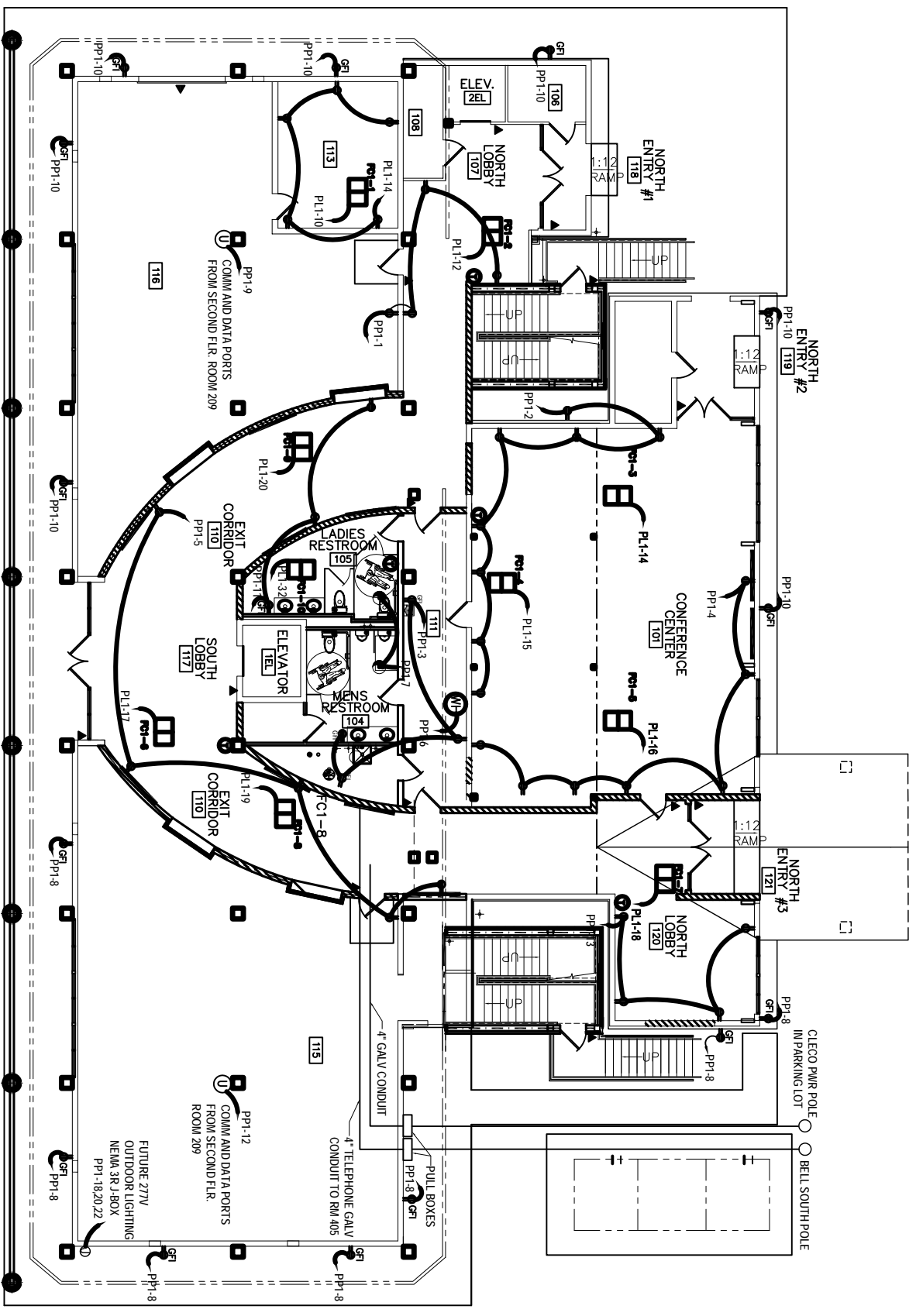
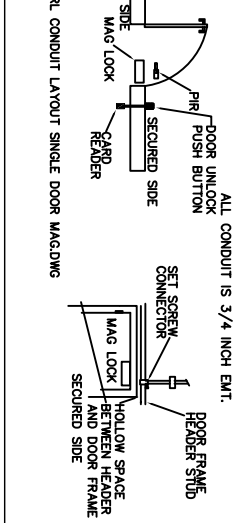
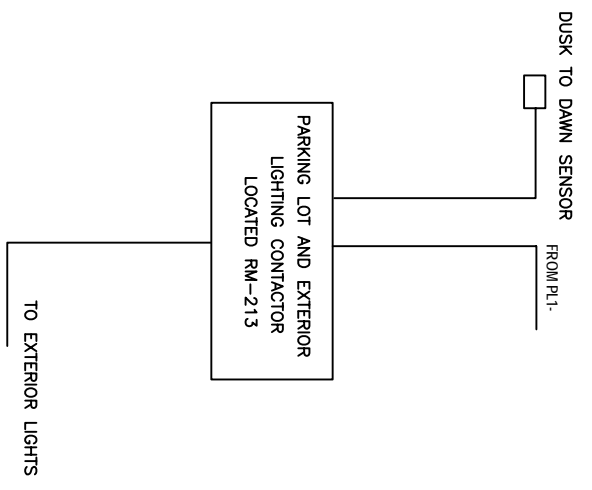


**CONDUIT DOOR LAYOUT
SINGLE DOOR MAG LOCK**

ACCESS CONTROL DOUBLE DOOR WITH CARD READER, MAGNETIC LOCK, REX, JUNCTION BOX, DOOR CONTACT



**CONDUIT DOOR LAYOUT
DOUBLE DOOR MAG LOCK**



FIRST FLOOR POWER PLAN
SCALE: 8" = 1'-0"

- LEGEND**
- NEW DUPLEX RECEPTACLE
 - ⦿ EXHAUST FAN
 - ▲ SECURITY ACCESS DOOR (SCANNER BY OTHERS)
 - ⊙ COLUMN MOUNTED UTILITIES
 - ⊙ JUNCTION BOX
- NOTE**
- ALL RECEPTACLES TO BE MOUNTED 8'-0" ABOVE FLOOR LEVEL.

ALTERNATE BID #2

NOTES:

- ONLY WORK PERTAINING TO HVAC SYSTEM IS PART OF ALTERNATE #2. ALL OTHER WORK IS PART OF BASE BID.

<p>RENOVATE OFFICE BUILDING</p> <p>DAMMON ENGINEERING. INC.</p> <p>1095 FLORIDA AVENUE 985-649-5832 SLIDELL, LA. 70458 DAMMONENGINEERING.COM</p>	<p>1ST FLOOR POWER PLAN</p> <p>ST. TAMMANY PARISH ADMIN. COMPLEX OLD SPANISH TRAIL SLIDELL, LOUISIANA</p>	<p>SCALE: AS NOTED</p> <p>FILE: _____</p> <p>JOB NO. 1729</p> <p>DATE: 1-8-07</p> <p>SHEET</p> <p style="font-size: 2em; font-weight: bold;">E1P</p> <p>OF _____</p>	<p>REVISED: 05-17-07ab</p> <p>REVISED: 05-07-07ab</p> <p>REVISED: 03-07-07ab</p> <p>REVISED: 1-22-07</p>
---	---	--	--