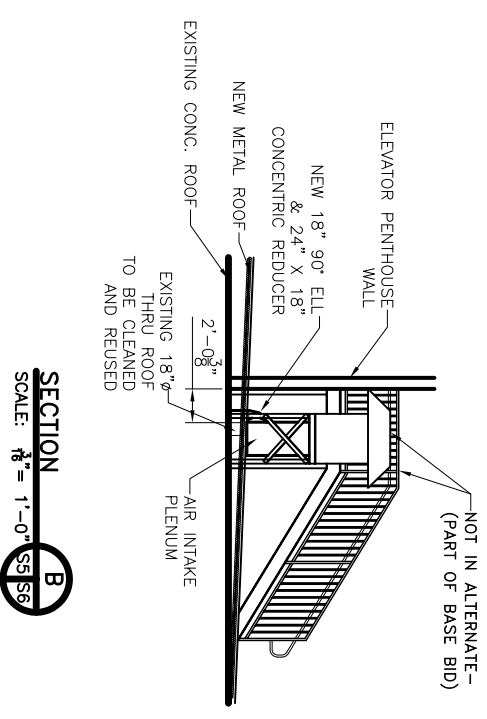
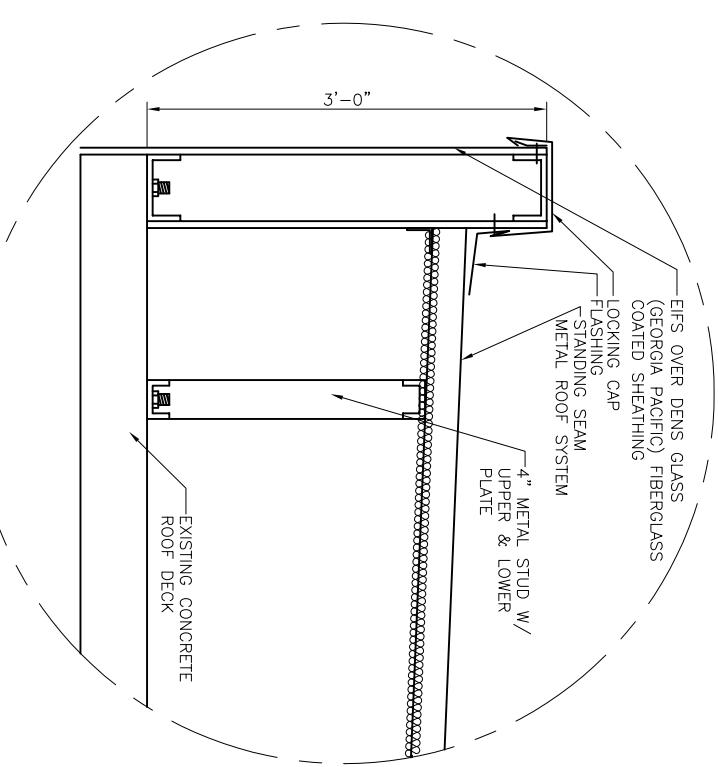


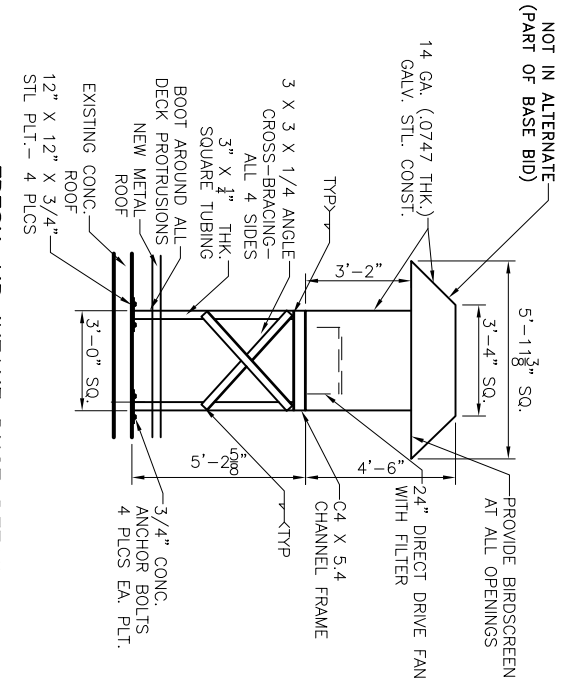
ALTERNATE BID #1

ADD METAL ROOF

- NOTES:
- ALTERNATE #1 CONSISTS OF PROVIDING AND INSTALLING A METAL ROOF ON SIX STORY BUILDING, THE ACCOMPANYING FRAME WORK AND THE PARAPET EXTENSIONS, ALONG WITH ALL CRICKETS, DIVERSERS, FLASHING, ETC.
- ONLY METAL ROOF IS PART OF ALTERNATE #1. STAIRS, PLATFORMS, ETC. ARE UNDER BASE BID.

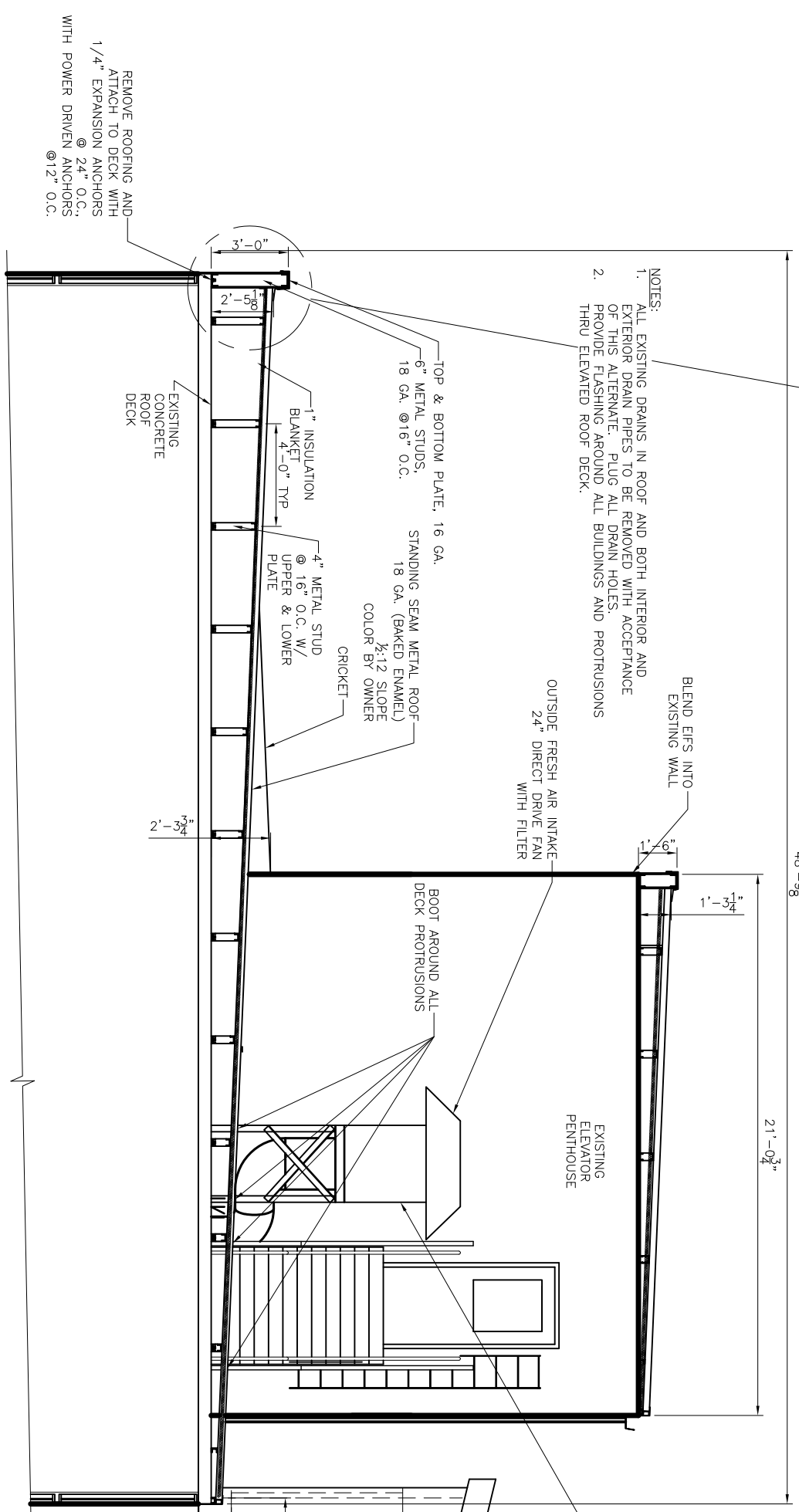


SECTION B
SCALE: 1/8" = 1'-0"



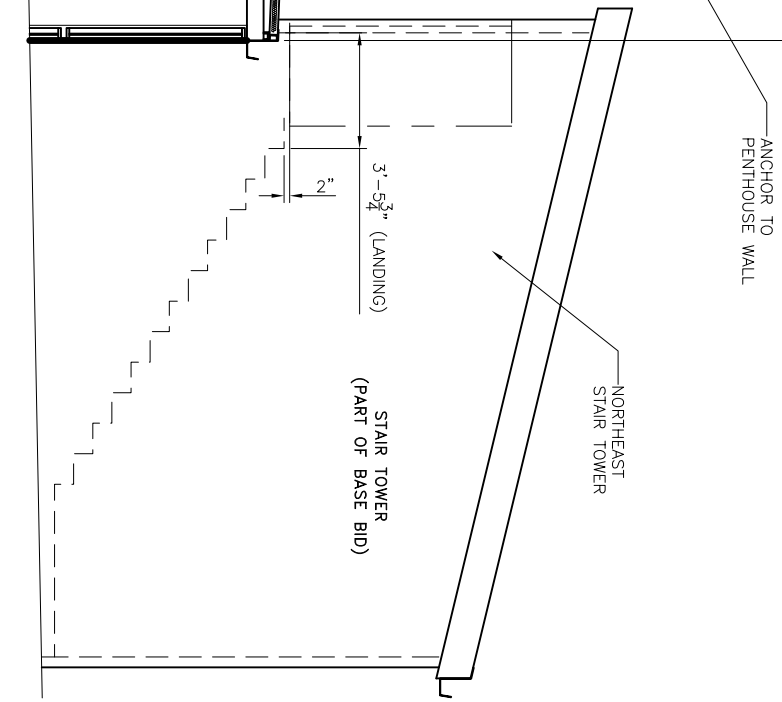
FRESH AIR INTAKE DUCT DETAIL
SCALE: 1/8" = 1'-0"

- NOTES:
- ALL EXISTING DRAINS IN ROOF AND BOTH INTERIOR AND EXTERIOR DRAIN PIPES TO BE REMOVED WITH ACCEPTANCE OF THIS ALTERNATE. PLUG ALL DRAIN HOLES. PROVIDE FLASHING AROUND ALL BUILDINGS AND PROTRUSIONS THRU ELEVATED ROOF DECK.



REMOVE ROOFING AND ATTACH TO DECK WITH 1/4\"/>

ROOF DETAIL A
SCALE: 1/8" = 1'-0"



<p>RENOVATE OFFICE BUILDING</p> <h2 style="margin: 0;">DAMMON ENGINEERING. INC.</h2> <p style="font-size: small;">1095 FLORIDA AVENUE 985-649-5832 SLIDELL, LA. 70468 DAMMONENGINEERING.COM</p>	<p>ROOF RENOVATION DETAILS</p> <p>ST. TAMMANY PARISH ADMIN. COMPLEX 520 OLD SPANISH TRAIL SLIDELL, LOUISIANA</p>	<p>SCALE: AS NOTED</p> <p>FILE:</p> <p>JOB NO. 1729</p> <p>DATE: 1-8-07</p> <p>SHEET</p> <h1 style="font-size: 2em;">S-6</h1> <p>OF</p>
---	---	---

REVISED: 05/17/07ab
REVISED: 05/07/07db
REVISED: 02/19/07