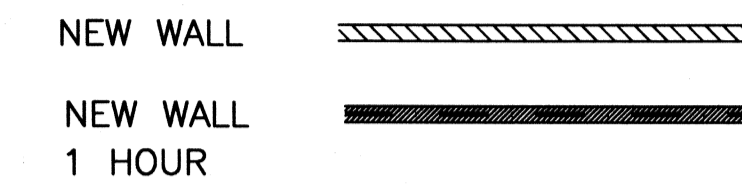


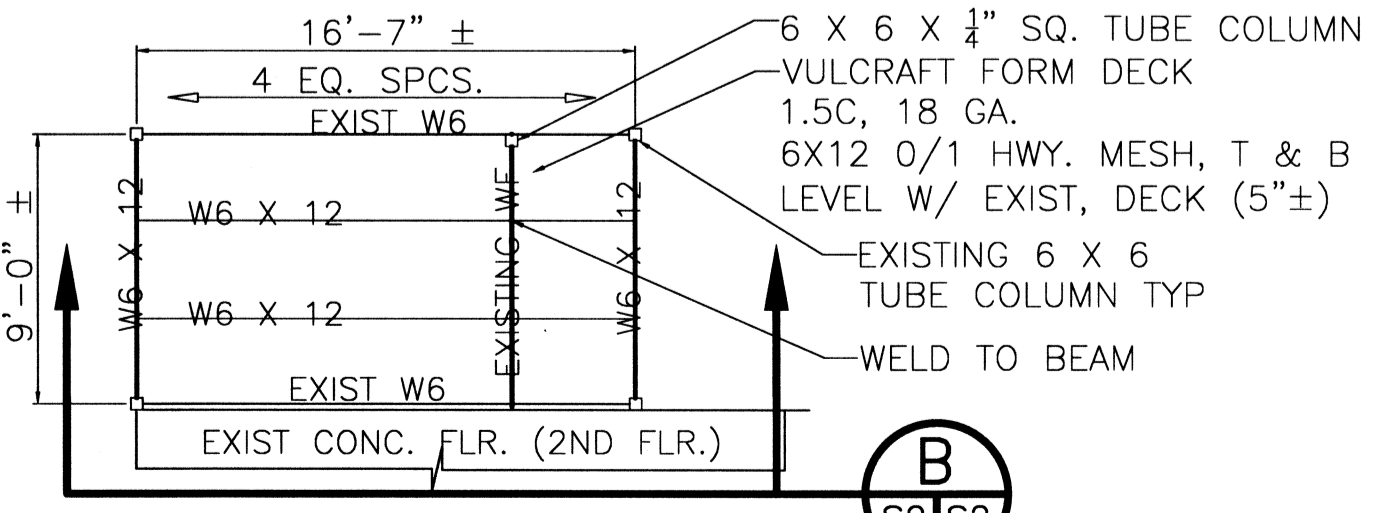
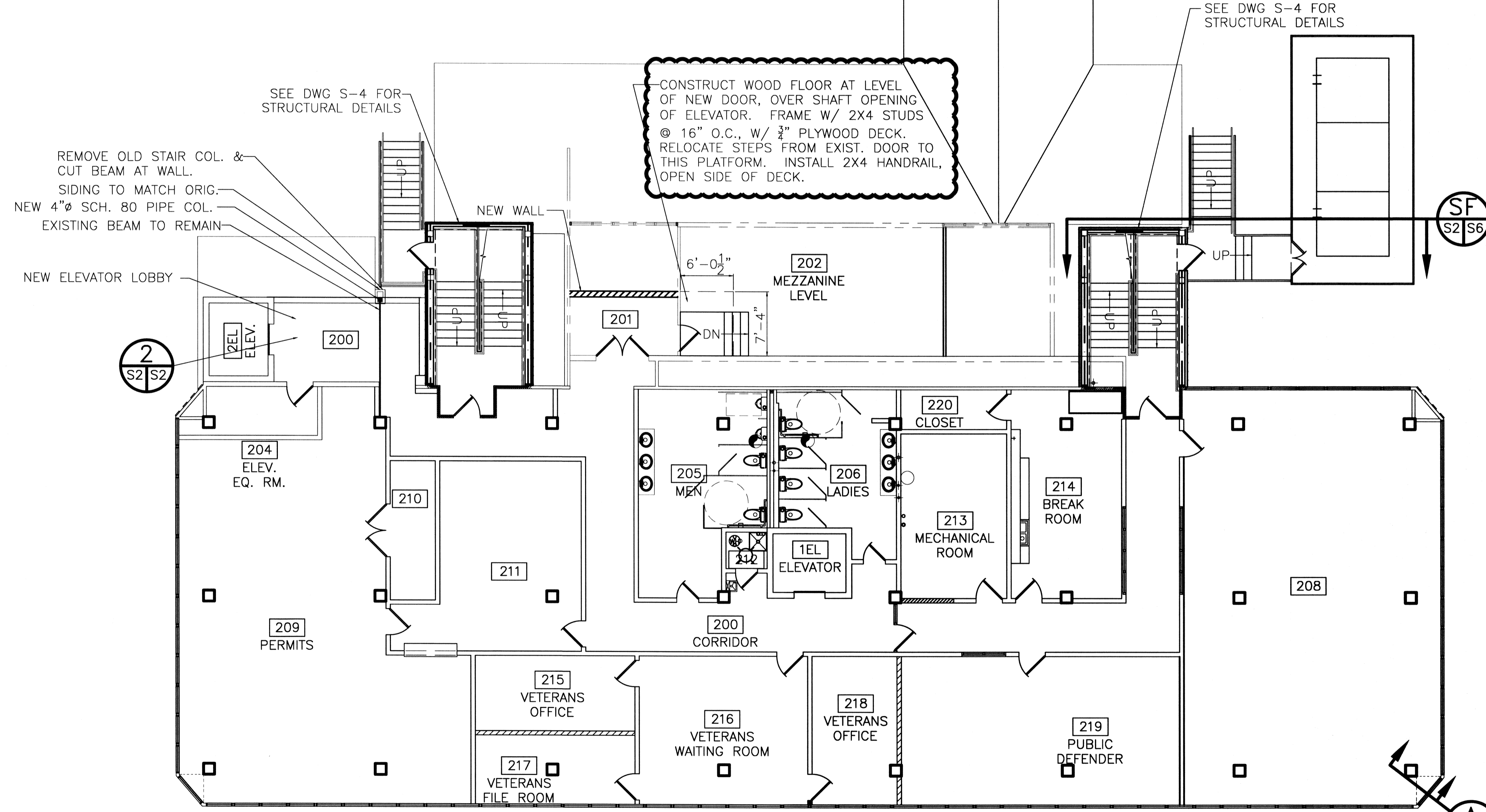
NOTES:

LEGEND

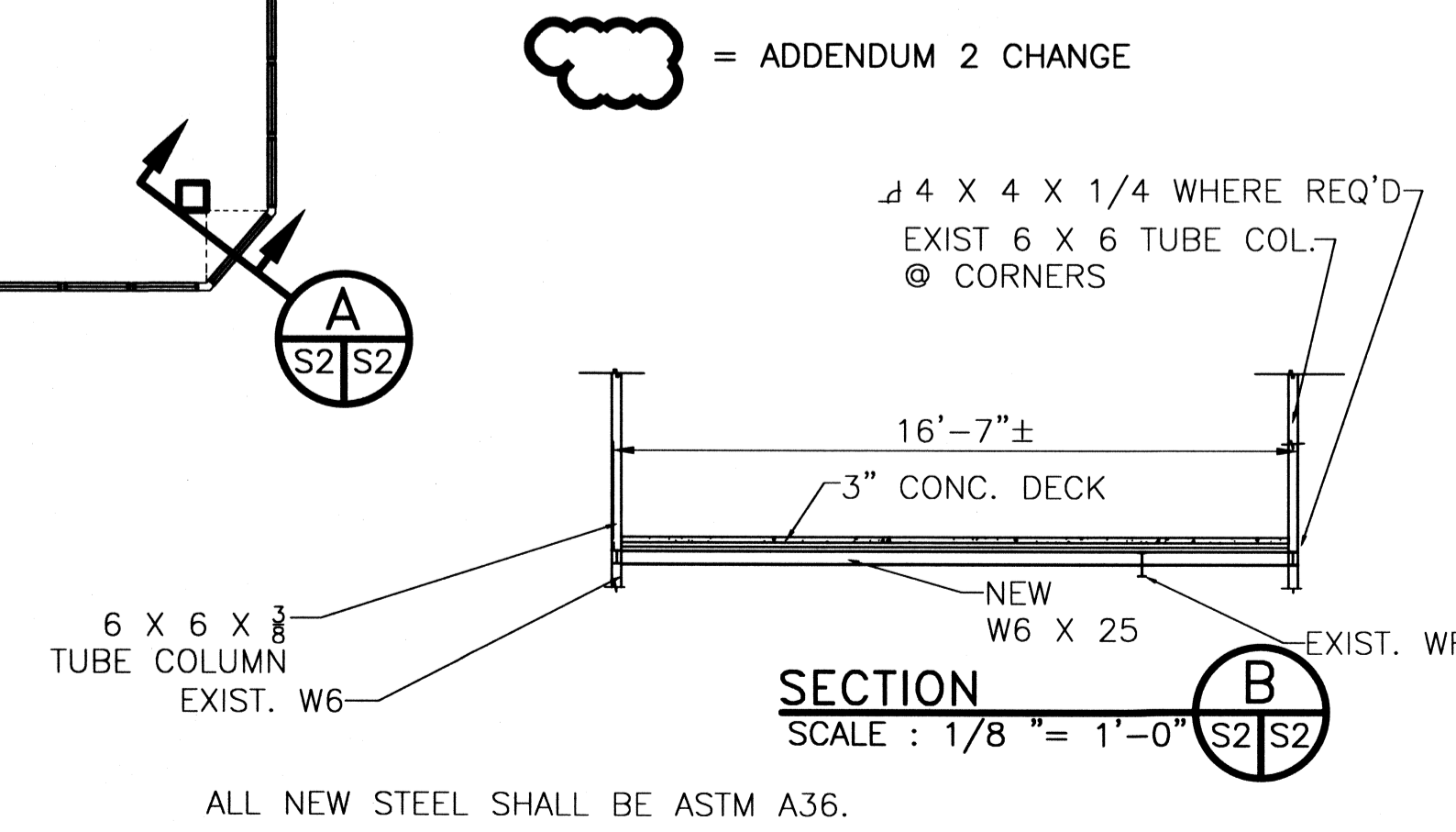


SECTION A
SCALE: 1/4" = 1'-0"

SECOND FLOOR STRUCTURAL PLAN
SCALE: 1/8" = 1'-0"



FRAMING PLAN B
SCALE: 1/8" = 1'-0"



ALL NEW STEEL SHALL BE ASTM A36.

ADDENDUM 2 REVISED: 08/20/07ab
REVISED: 05/21/07ab
REVISED: 03/07/07ab

2ND FLOOR STRUCTURAL PLAN
ST. TAMMANY PARISH ADMIN. COMPLEX
520 OLD SPANISH TRAIL
SLIDELL, LOUISIANA

RENOVATE OFFICE BUILDING
DAMMON ENGINEERING, INC.
1095 FLORIDA AVENUE 985-649-6832 SLIDELL, LA. 70458
DAMMONENGINEERING.COM

SCALE: AS NOTED
FILE:
JOB NO. 1729
DATE: 1-8-07
SHEET S-2
OF