

SCALE: AS NOTED

FILE:

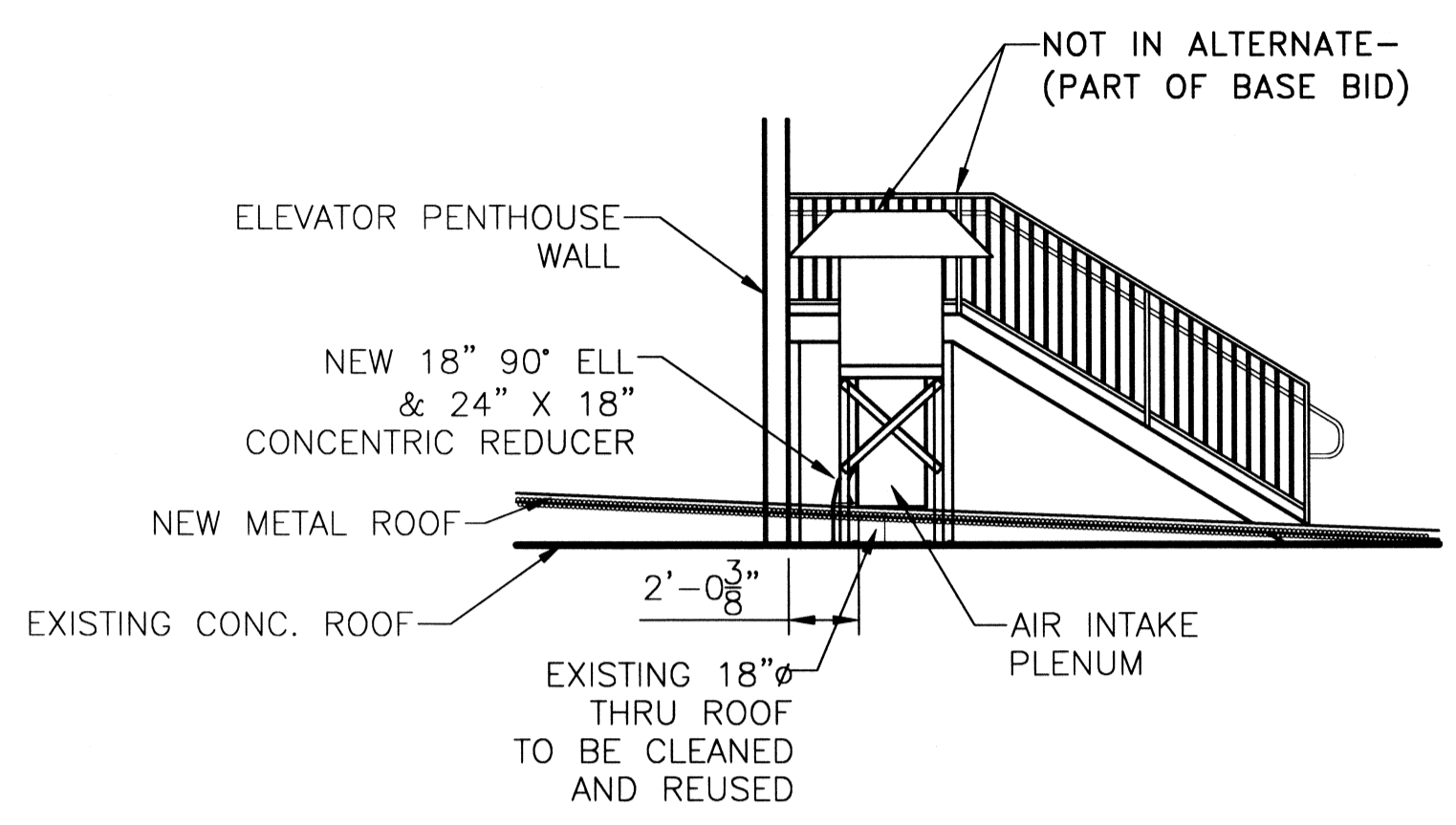
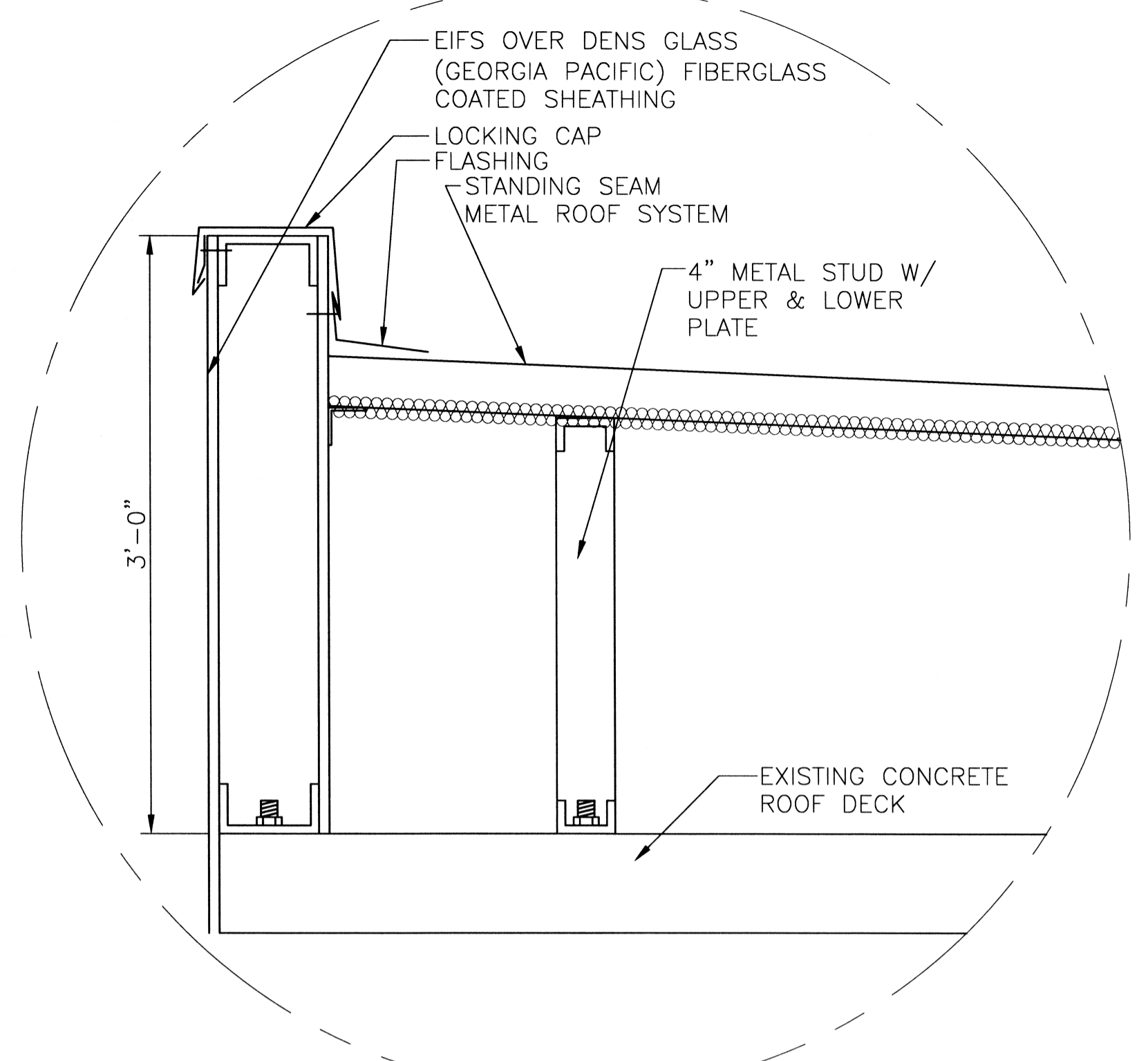
JOB NO. 1729

DATE: 1-8-07

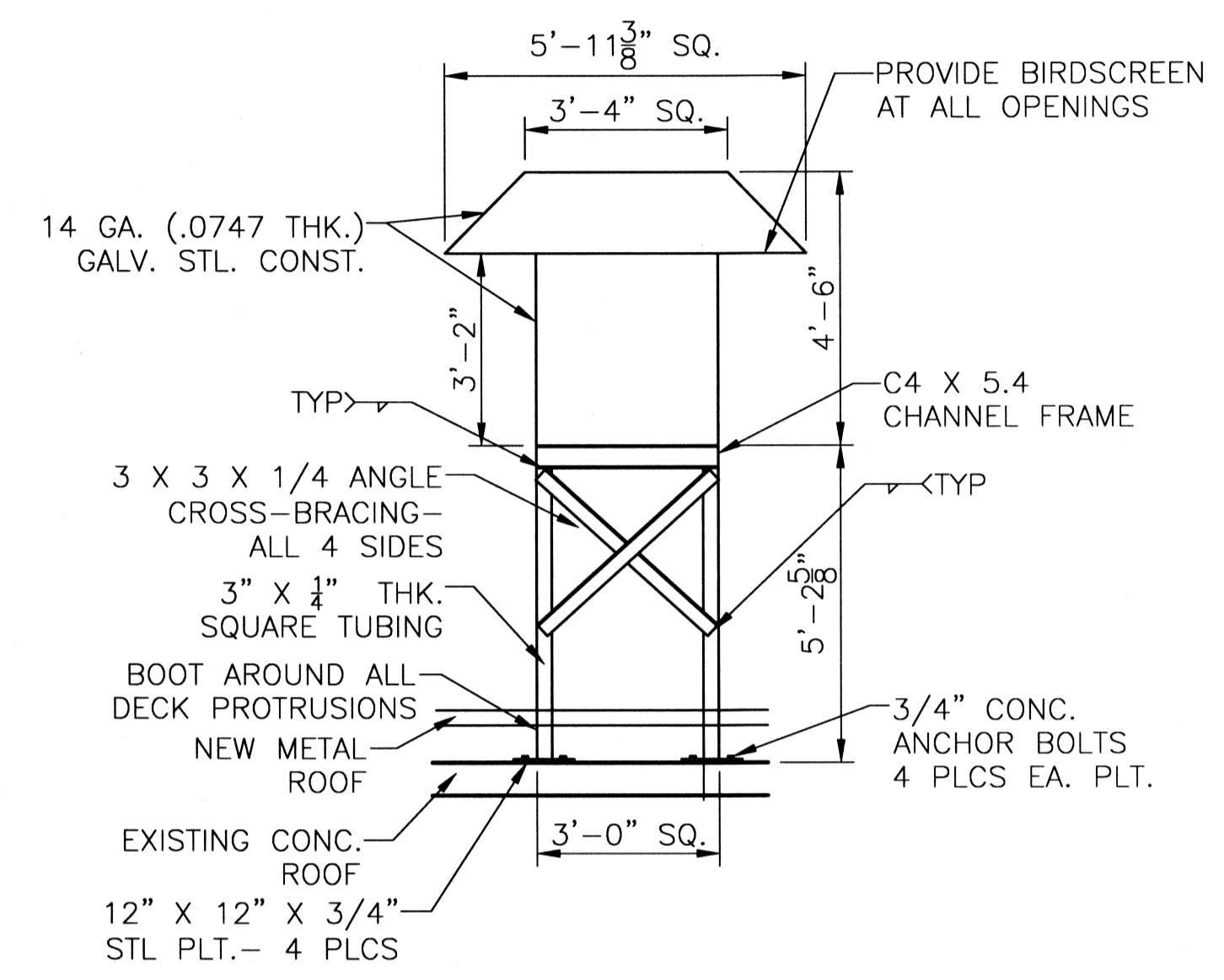
SHEET

S - 6

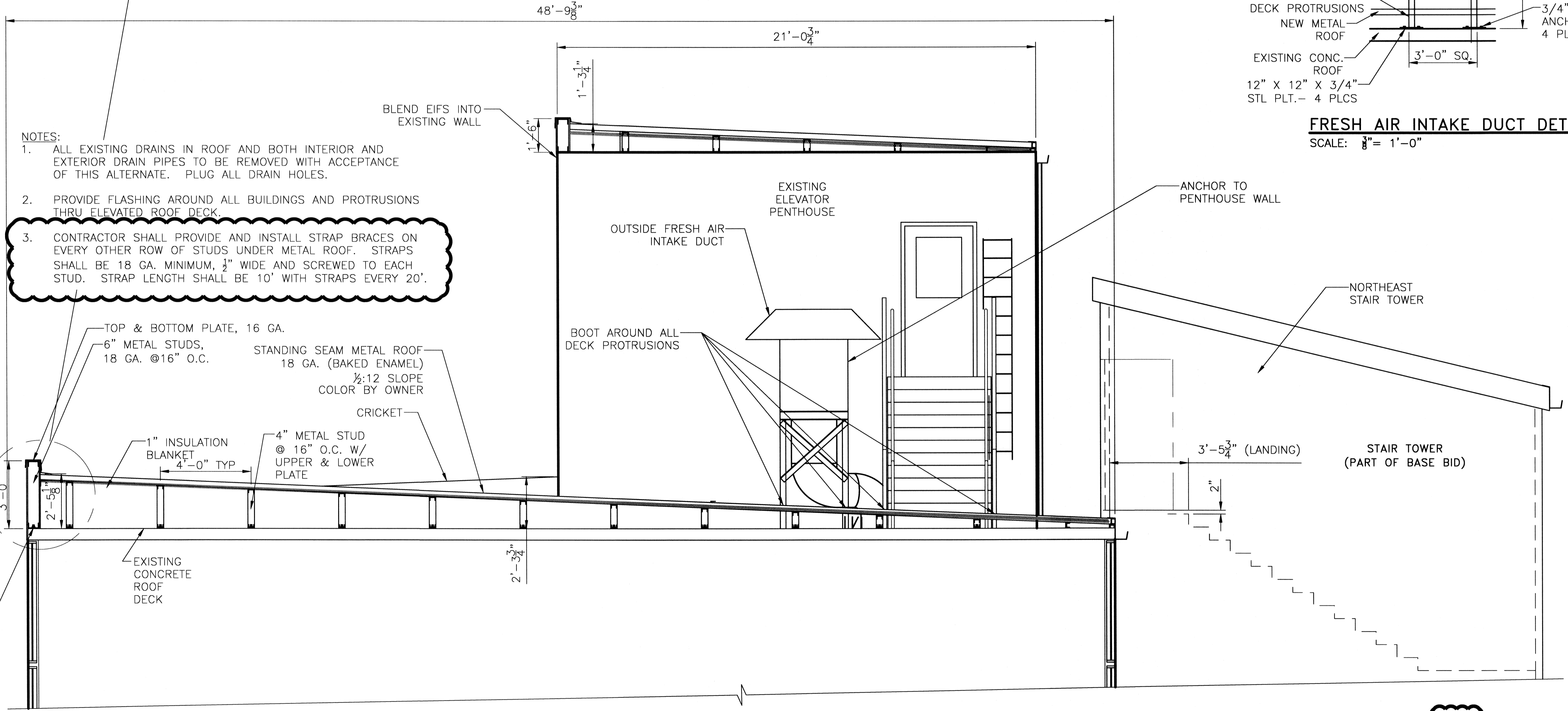
OF



**SECTION B**  
 SCALE: 3/8" = 1'-0" S5 S6

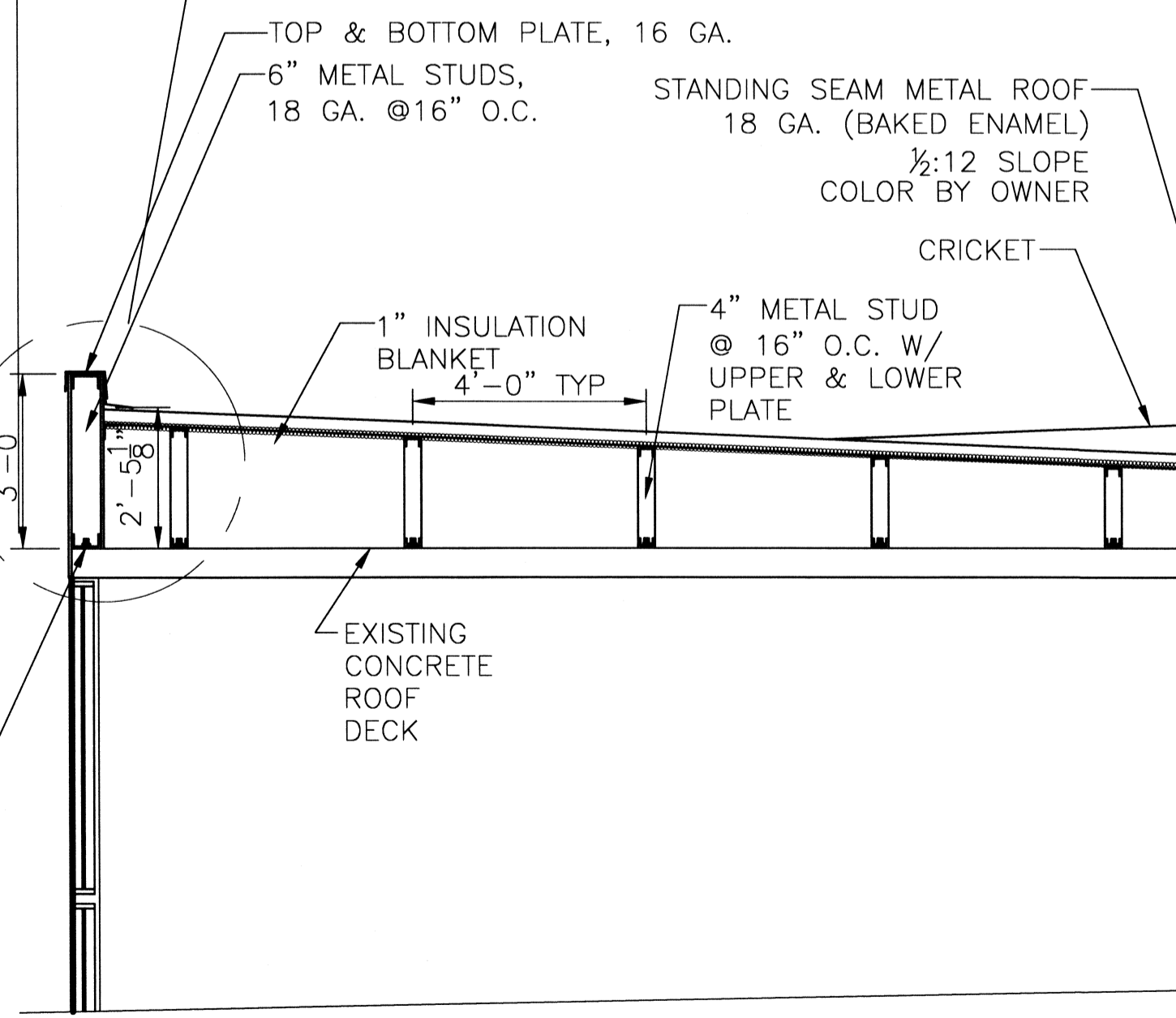


**FRESH AIR INTAKE DUCT DETAIL**  
 SCALE: 3/8" = 1'-0"



**ROOF DETAIL A**  
 SCALE: 3/8" = 1'-0" S5 S6

- NOTES:**
- ALL EXISTING DRAINS IN ROOF AND BOTH INTERIOR AND EXTERIOR DRAIN PIPES TO BE REMOVED WITH ACCEPTANCE OF THIS ALTERNATE. PLUG ALL DRAIN HOLES.
  - PROVIDE FLASHING AROUND ALL BUILDINGS AND PROTRUSIONS THRU ELEVATED ROOF DECK.
  - CONTRACTOR SHALL PROVIDE AND INSTALL STRAP BRACES ON EVERY OTHER ROW OF STUDS UNDER METAL ROOF. STRAPS SHALL BE 18 GA. MINIMUM, 1/2" WIDE AND SCREWED TO EACH STUD. STRAP LENGTH SHALL BE 10' WITH STRAPS EVERY 20'.



REMOVE ROOFING AND ATTACH TO DECK WITH 1/4" EXPANSION ANCHORS @ 24" O.C., WITH POWER DRIVEN ANCHORS @ 12" O.C.

☁ = ADDENDUM 7 CHANGE

HVAC REVISED: 11/05/07ab  
 ADDENDUM 7 REVISED: 08/20/07ab  
 REVISED: 05/17/07ab  
 REVISED: 05/07/07ab  
 REVISED: 02/19/07