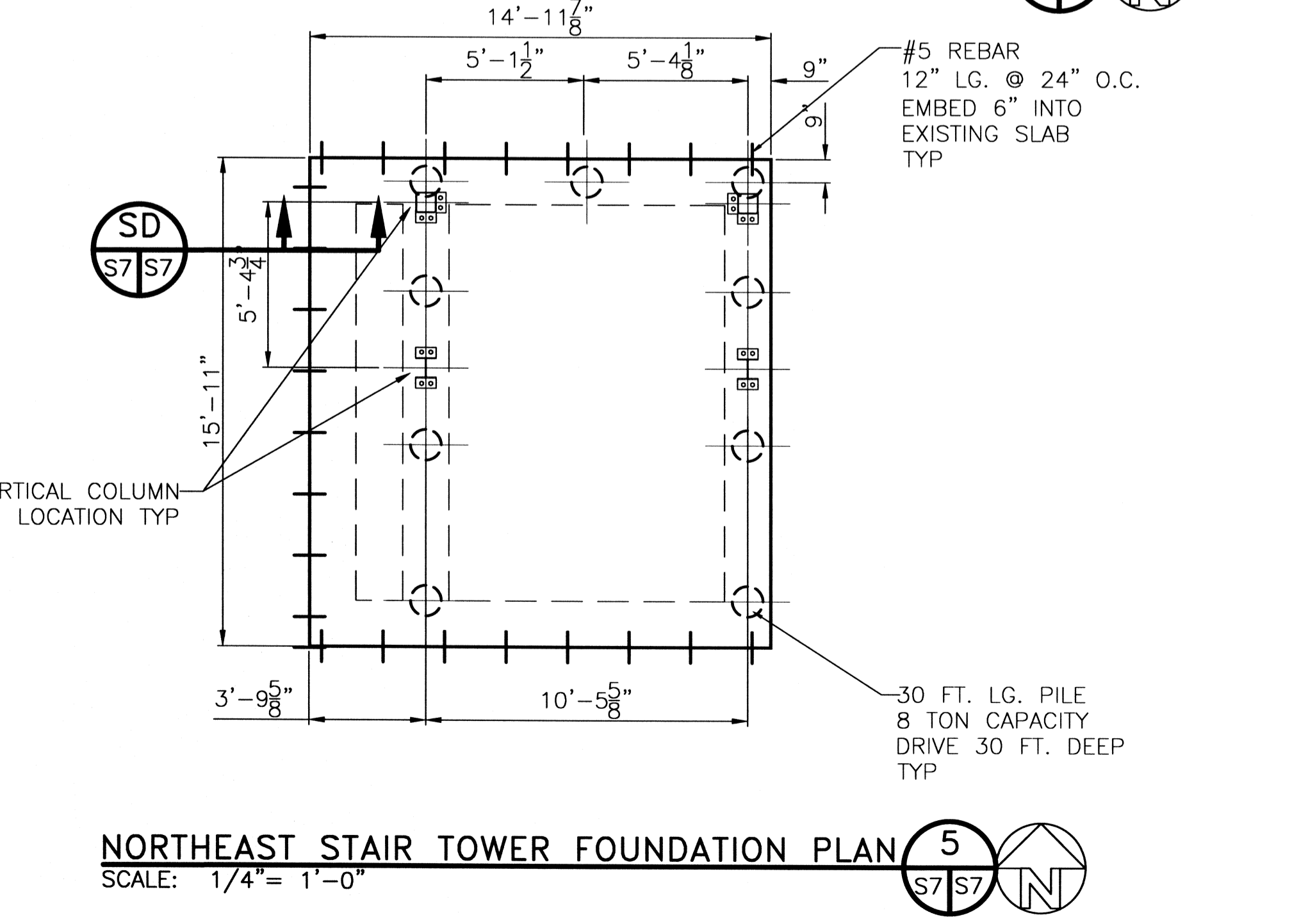
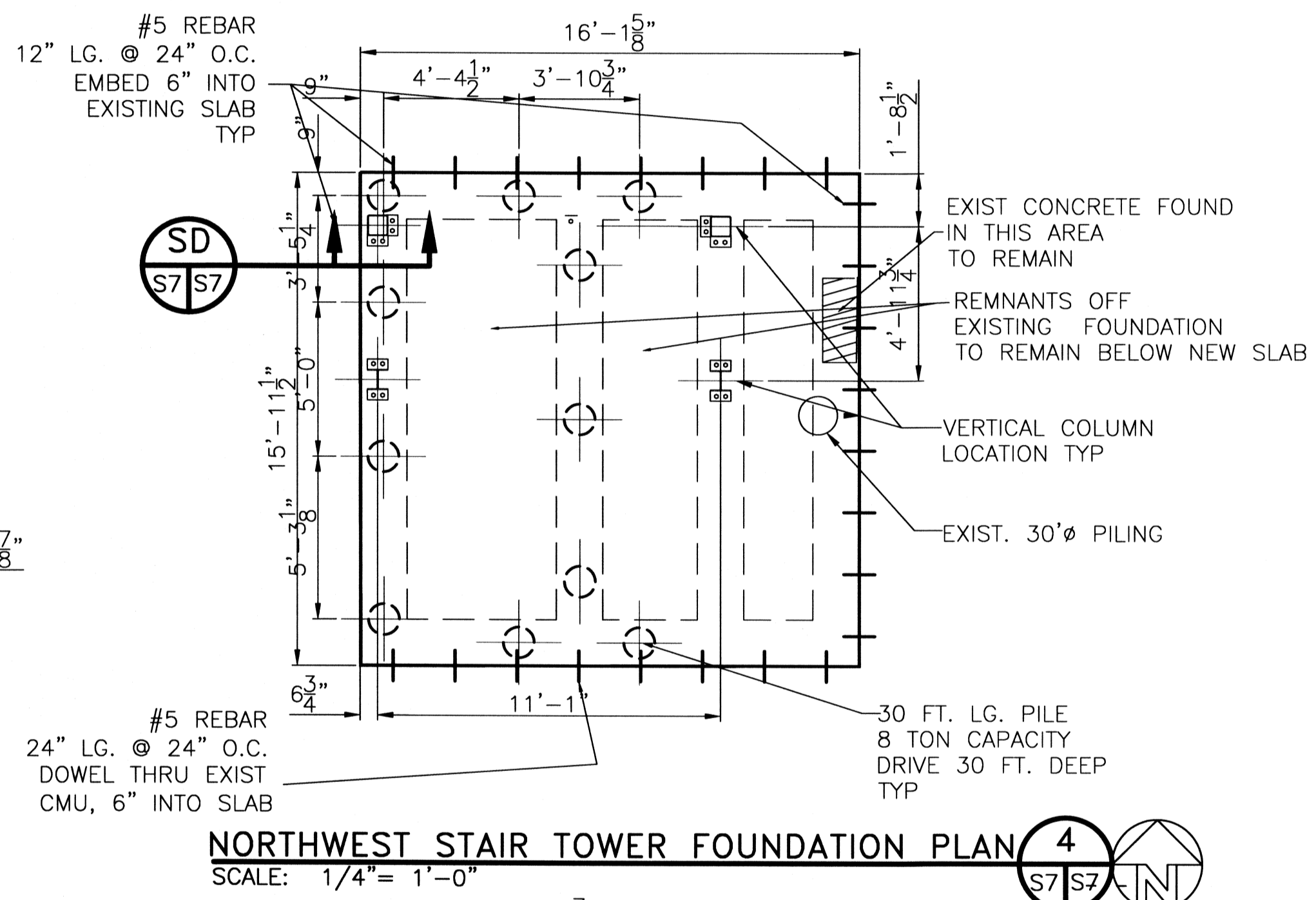
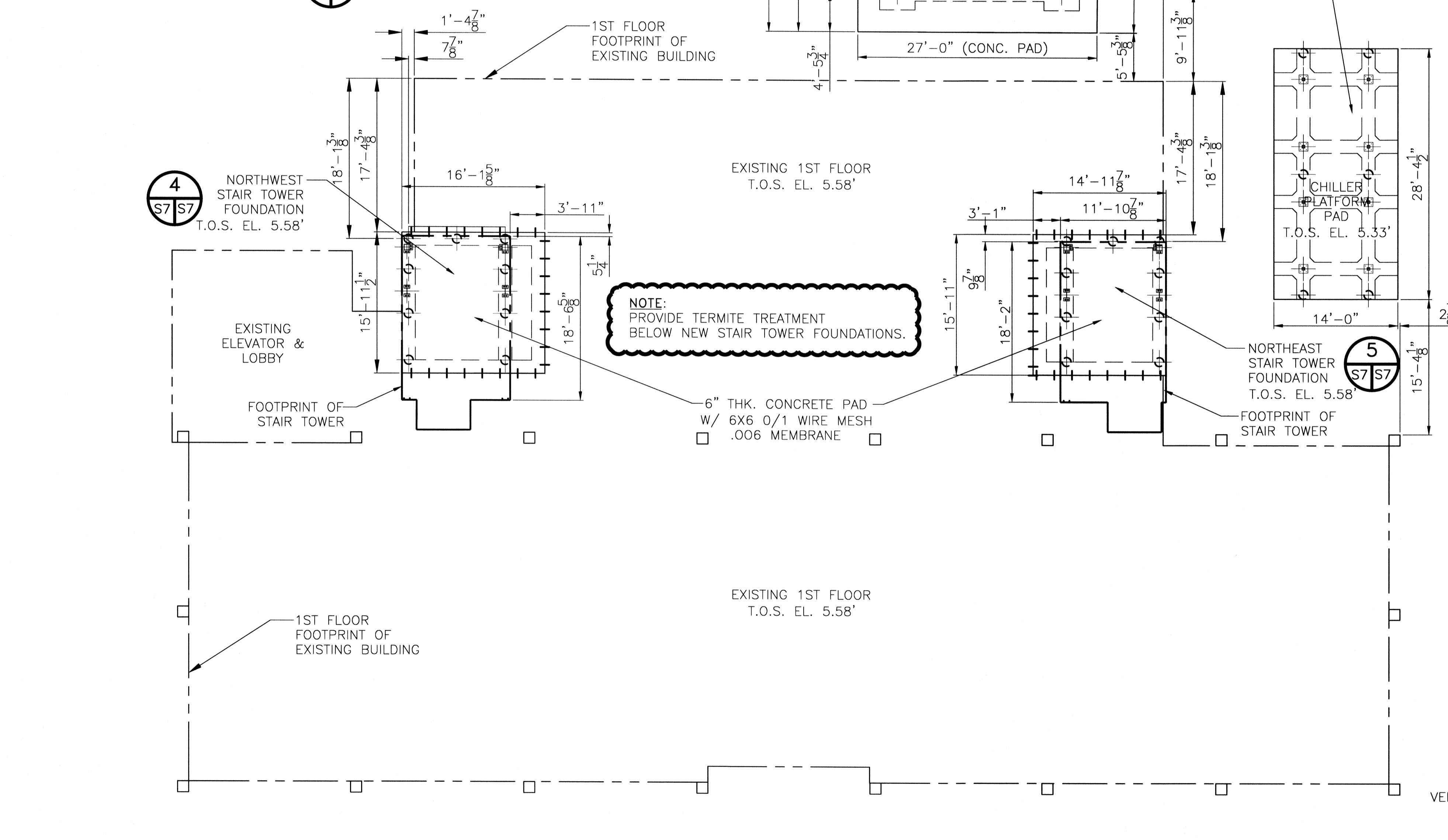


NOTE:  
PILINGS SHALL BE "SMALL TIMBER" TREATED PILE, 6" TIP, 8" BUTT, DRIVEN TO 30 FEET BELOW GRADE. (USE PILE CONNECTORS AS REQD.)  
LOAD CAPACITY 8 TONS EACH.  
(SOIL BORING INFORMATION AVAILABLE FROM ENGINEERING OFFICE.)  
PILE DRIVING IN STAIR TOWER AREAS WILL NEED TO BE ACCOMPLISHED UTILIZING A BOBCAT TRACTOR EQUIPPED WITH A HYDRAULIC PILE DRIVING RIG.



NOTE:  
CONTRACTOR TO PROVIDE SHOP DRAWINGS OF STAIRS AND STAIR TOWER STRUCTURE PRIOR TO CONSTRUCTION.

ADDENDUM 7 CHANGE

ADDENDUM 7 REVISED: 08/20/07ab  
REVISED: 03/07/07ab  
REVISED: 02/26/07

CONTRACT SET- 10/10/07

PILING & FOUNDATION PLAN  
ST. TAMMANY PARISH ADMIN COMPLEX  
520 OLD SPANISH TRAIL  
SLIDELL, LOUISIANA

RENOVATE OFFICE BUILDING  
DAMMON ENGINEERING, INC.  
1095 FLORIDA AVENUE 985-649-5832 SLIDELL, LA. 70458  
DAMMONENGINEERING.COM

SCALE: AS NOTED  
FILE:  
JOB NO.  
DATE: 1-8-07  
SHEET  
S-7  
OF