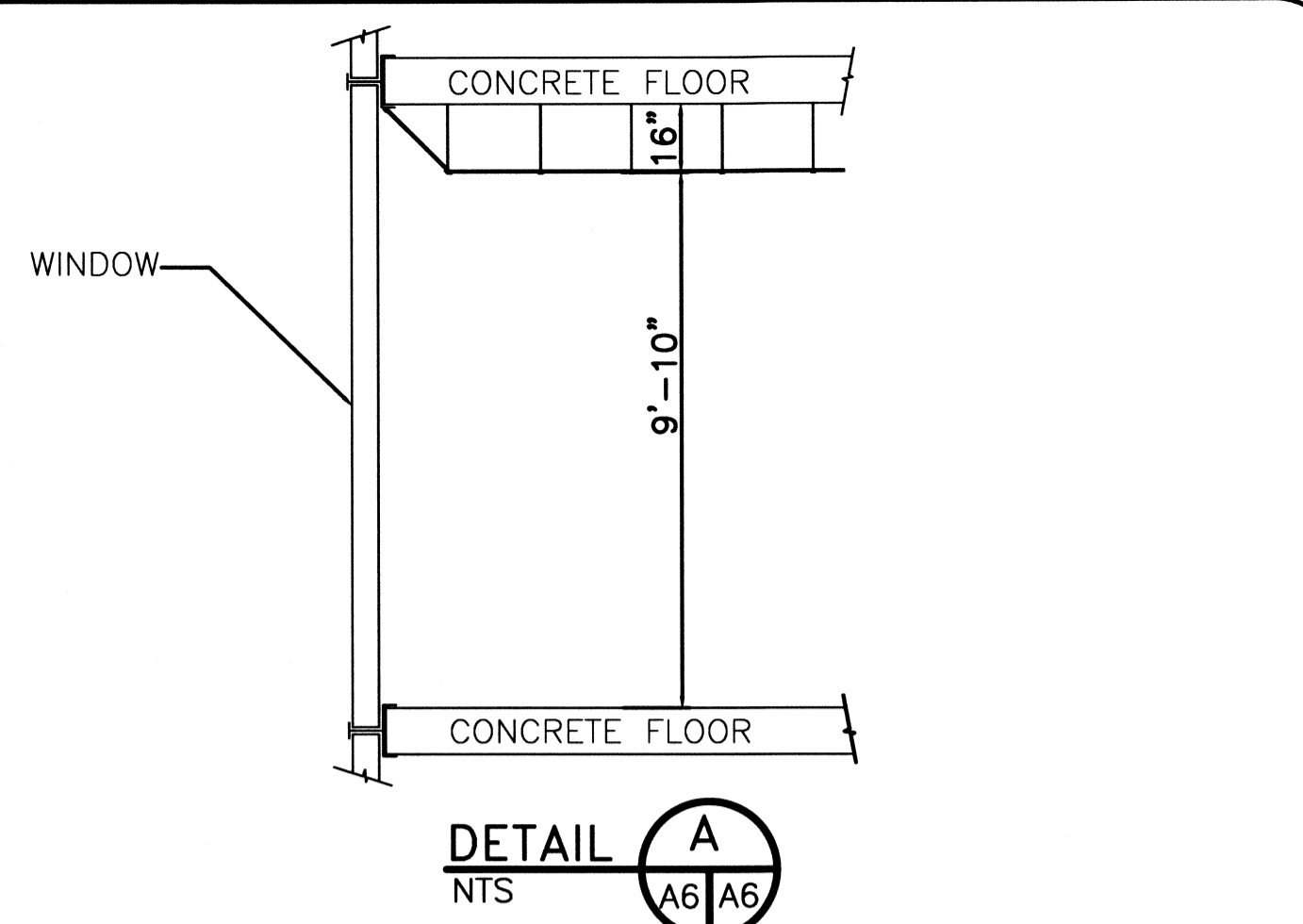
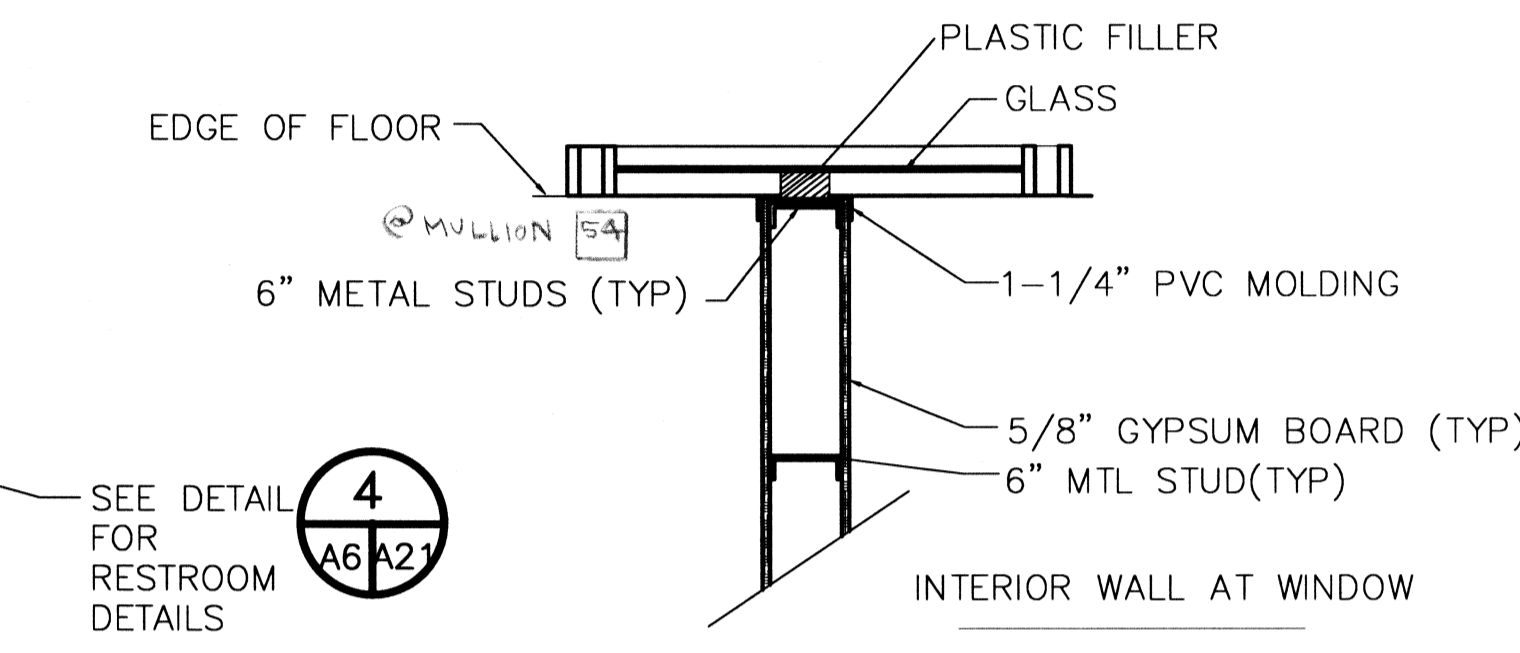


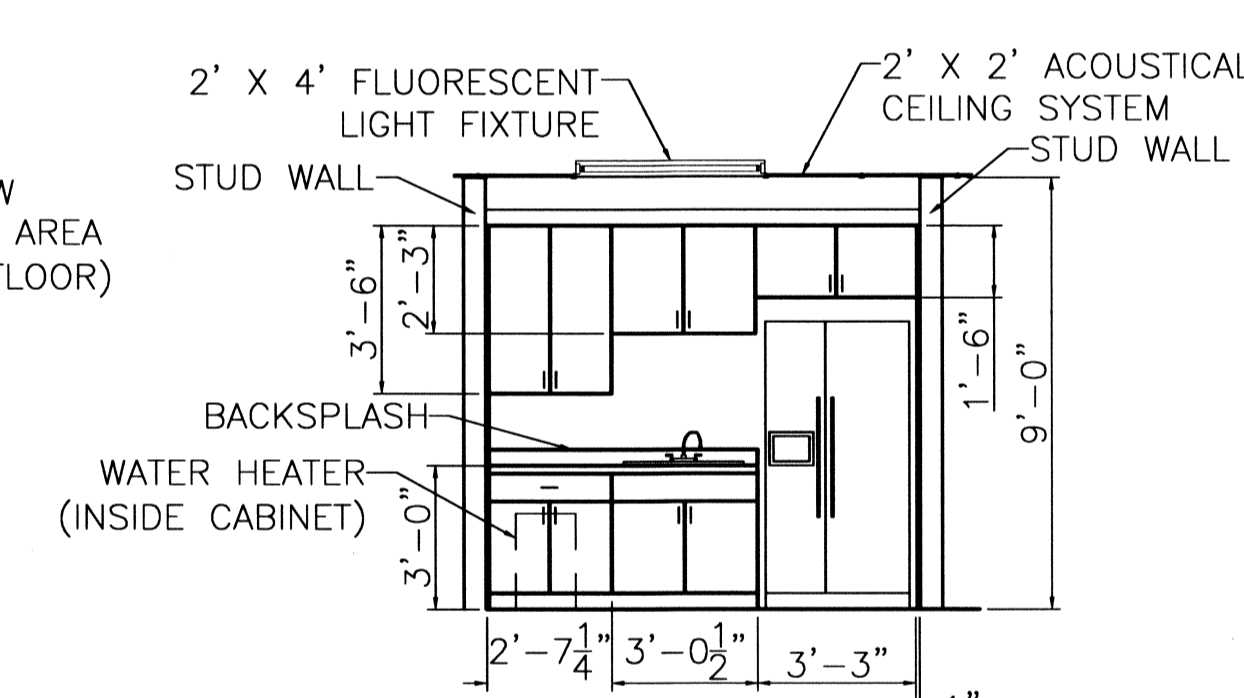
**SIXTH FLOOR PLAN**  
SCALE: 1/8" = 1'-0"



**DETAIL A**  
NTS



**DETAIL 1**  
NTS



**DETAIL 2**  
SCALE: 1/4" = 1'-0"

NOTE:  
KITCHEN CABINETS SHALL BE MEDIUM COMMERCIAL GRADE, FACTORY BUILT.  
COUNTER TOPS SHALL BE MANMADE MARBLE OR EQUAL.

NOTE:  
INSTALL DUCTWORK ENTRANCES  
AS REQUIRED. SEE DWG. M-6  
FOR A/C DETAILS

ROOM	FINISH SCHEDULE										CLG HT	REMARKS	
	FLOOR	BASE	WALLS	CEILING	CLG HT	REMARKS	CONCRETE	VINYL TILE	CARPET	PAINTED WOOD			
600												8'-6"	
601												9'-0"	
602												9'-0"	
603												9'-0"	
604												9'-0"	
605												9'-0"	
606												9'-0"	
607												9'-0"	
608												9'-0"	
609												10'-6"	
610												9'-0"	
611												9'-0"	
612												9'-0"	
613												9'-0"	
614												9'-0"	
615												9'-0"	

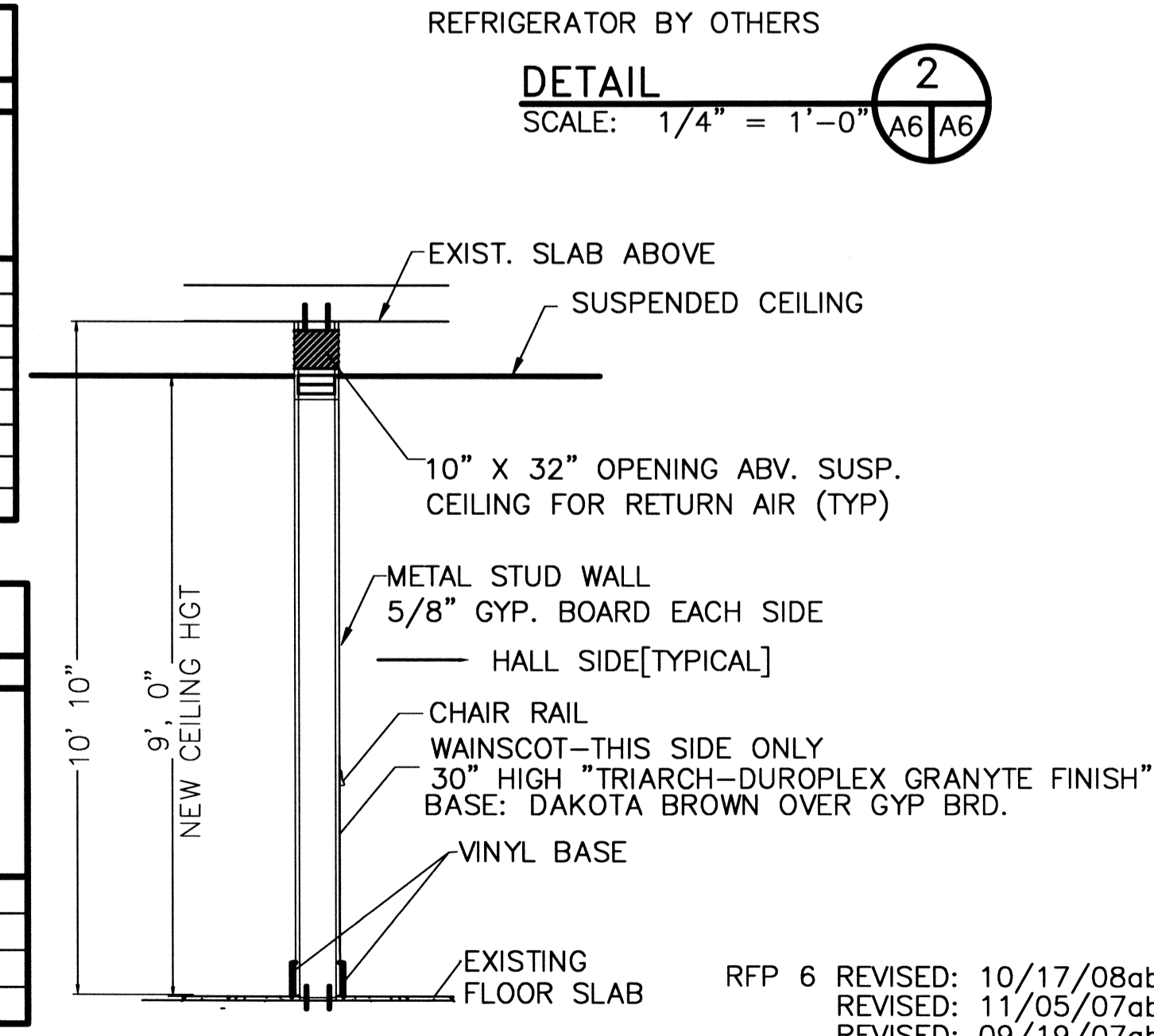
\*SEE SPEC FOR ALLOWANCE FOR INTERIOR DECORATING  
UNDERCUT ALL DOORS 3/4" TO ALL FOR PROPER EXHAUST AIR FLOW

DOOR	DOOR & HARDWARE SCHEDULE										REMARKS	
	TYPE	FRAME	HINGE	LOCK	ACCESSORIES	REMARKS	SOLID WOOD	HOLLOW METAL	ALUM./GLASS	STEEL		
1	3/0x7/0											
2	3/0x7/0											
3	3/0x7/0											
4	3/0x7/0											
5	3/0x7/0											1 HOUR RATED

WINDOW	WINDOW SCHEDULE										REMARKS	
	TYPE	FRAME	GLASS	LITES	ACCESSORIES	REMARKS	FIXED	VERTICAL SLIDE	HORIZONTAL SLIDE	STORE FRONT		
A	**4/0x5/0											APPROXIMATELY 3,700 SQ. FT.

\*FINAL SIZES TO BE DETERMINED BY VENDOR FROM FIELD MEASUREMENTS [TYP. ALL FLOORS]

- LEGEND**
- NEW WALL - [Symbol]
  - NEW 1 HOUR RATED WALL - [Symbol]
  - EXISTING WALL - [Symbol]
  - CURTAIN WALL - [Symbol]
  - SECURITY ACCESS DOOR (SCANNER BY OTHERS) - [Symbol]
  - RETURN AIR CASSED OPENING IN WALL (ROOM TO CEILING) - TO EQUAL 200 SQ. IN. - [Symbol]



**SECTION B**  
NTS

**6TH FLOOR RENOVATE PLAN**  
ST. TAMMANY PARISH ADMIN. COMPLEX  
520 OLD SPANISH TRAIL  
SLIDELL, LOUISIANA

**AMMON ENGINEERING, INC.**  
1095 FLORIDA AVENUE 985-649-5832 SLIDELL, LA. 70458  
DAMMONENGINEERING.COM

RENOVATE OFFICE BUILDING  
SCALE: AS NOTED  
FILE:  
JOB NO. 1729  
DATE: 1-8-07

SHEET  
**A-6**  
OF