

NOTE:  
CONTRACTOR TO PROVIDE SHOP DRAWINGS  
OF STAIRS AND STAIR TOWER STRUCTURE  
PRIOR TO CONSTRUCTION.

1 HR. FIREWALL  
5/8" THK. GYPSUM BOARD  
BOTH SIDES OF STAIR TOWER WALLS  
& WALL BETWEEN STAIRWELL & BUILDING  
SEE UL U465 SHT A-20  
(TYP. ALL FLOORS)

2ND/ 3RD FLOOR  
INTERMEDIATE  
LANDING  
EL. 18'-6 1/2"

STAIR TREADS SHALL BE  
CONCRETE FILLED METAL  
PAN. RISERS SHALL BE  
CLOSED. STRINGERS SHALL BE  
MIN. 10" CHANNEL.

R-19 INSULATION TYP

1 HR. FIREWALL  
BOTH SIDES OF STAIR TOWERS  
& WALL BETWEEN STAIRWELL  
& BUILDING SEE UL U465  
THIS SHEET  
(TYP. ALL FLOORS)

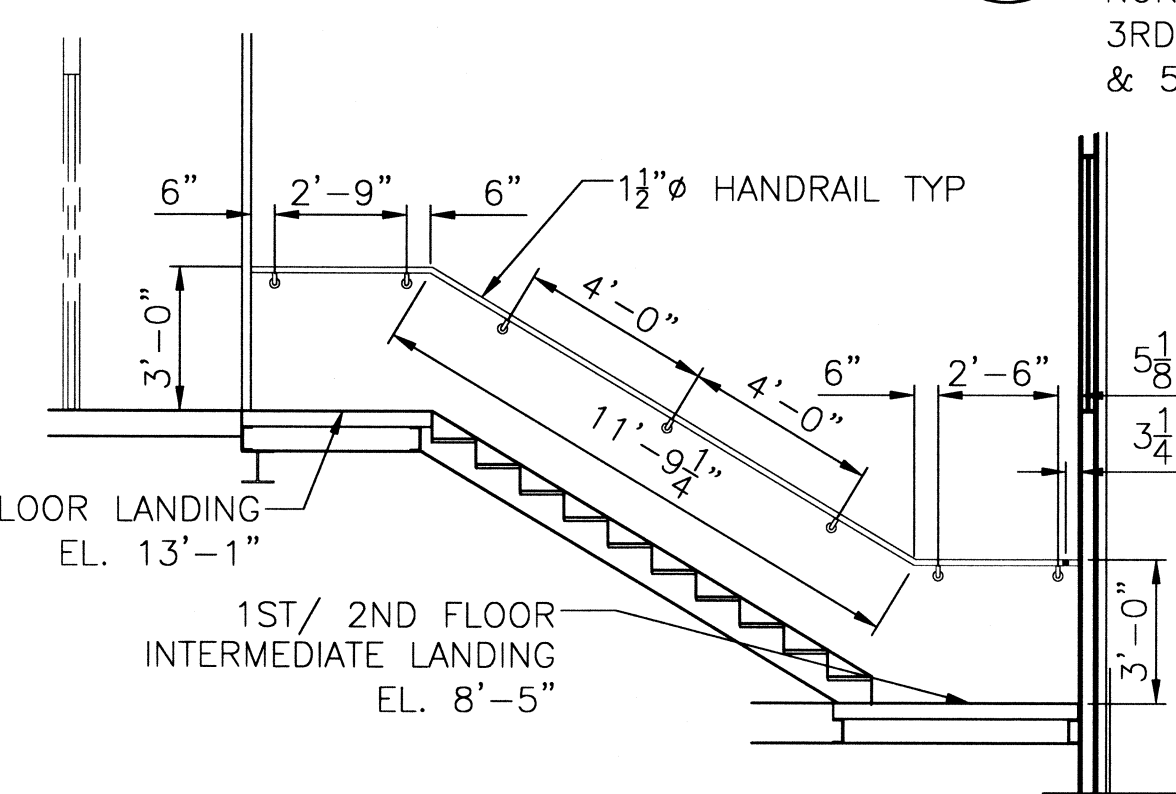
STEEL HANDRAIL  
ALL FLOORS @  
TOWER WALLS

3RD/ 4TH FLOOR  
INTERMEDIATE  
LANDING  
EL. 29'-5 1/2"

36" H HANDRAIL  
TYP ALL FLOORS

STEEL GUARDRAIL  
& HANDRAIL SET  
ALL FLOORS

2 X 8 STUD WALLS  
BOTH SIDES OF TOWER



WINDOW SCHEDULE																					
	TYPE	FRAME	GLASS	LITES	ACCESSORIES	REMARKS															
WINDOW	FIXED	VERTICAL SLIDE	HORIZONTAL SLIDE	STORE FRONT	STEEL	ALUMINUM	WOOD	TINTED	PLAIN	GLAZED	WIREGLASS	NONE	2/2	4/4	6/6	8/8	ALARM	SCREEN	SHUTTER	NONE	
A	3/1x5/0																				FULL HEIGHT WINDOW
B																					
C																					
D																					

DOOR & HARDWARE SCHEDULE																									
	TYPE	FRAME	HINGE	LOCK	ACCESSORIES	REMARKS																			
DOOR	SOLID WOOD	HOLLOW	ALUMINUM/GLASS	STEEL	MASONITE	ALUMINUM	WOOD	CASED OPENING	DOUBLE SWING	BUTT	MAGNETIC	SLIDING	PASSAGE	PRIVACY	DEADBOLT	KEYED HANDLE	PUSH PULL	PANIC	THRESHOLD	WEATHERSTRIP	DOOR STOP	ALARM	WIRE GLASS	GLASS WINDOW	
1	3/0x7/0																								
2	3/0x7/0																								
3	3/0x7/0																								
4	3/0x7/0																								
5	(2) 3/0x7/0																								EXTERIOR DOOR, 1 1/2HR RATING
6	3/0x7/0																								
7	(2) 3/0x7/0																								
8	3/0x4/0																								

FINISH SCHEDULE																		
	FLOOR	BASE	WALLS	CEILING	CLG HT	REMARKS												
ROOM	CONCRETE	VINYL TILE	CARPET	CERAMIC TILE	PAINTED WOOD	VINYL	WOOD	NONE	GYPSUM BOARD	GREENBOARD	CMU	CONCRETE	ACOUSTIC TILE	GYPSUM BOARD	FRP BOARD	OPEN	TEXT. CONC.	
NORTHWEST STAIR TOWER																		VARIABLES
NORTHEAST STAIR TOWER																		VARIABLES

STAIR TOWER PLAN & DETAILS  
ST. TAMMANY PARISH ADMIN. COMPLEX  
520 OLD SPANISH TRAIL  
SLIDELL, LOUISIANA

RENOVATE OFFICE BUILDING  
**DAMMON ENGINEERING, INC.**  
1095 FLORIDA AVENUE 985-649-6832 SLIDELL, LA. 70458  
DAMMONENGINEERING.COM

SCALE: AS NOTED  
FILE:  
JOB NO. 1729  
DATE: 1-8-07  
SHEET  
A.18  
OF