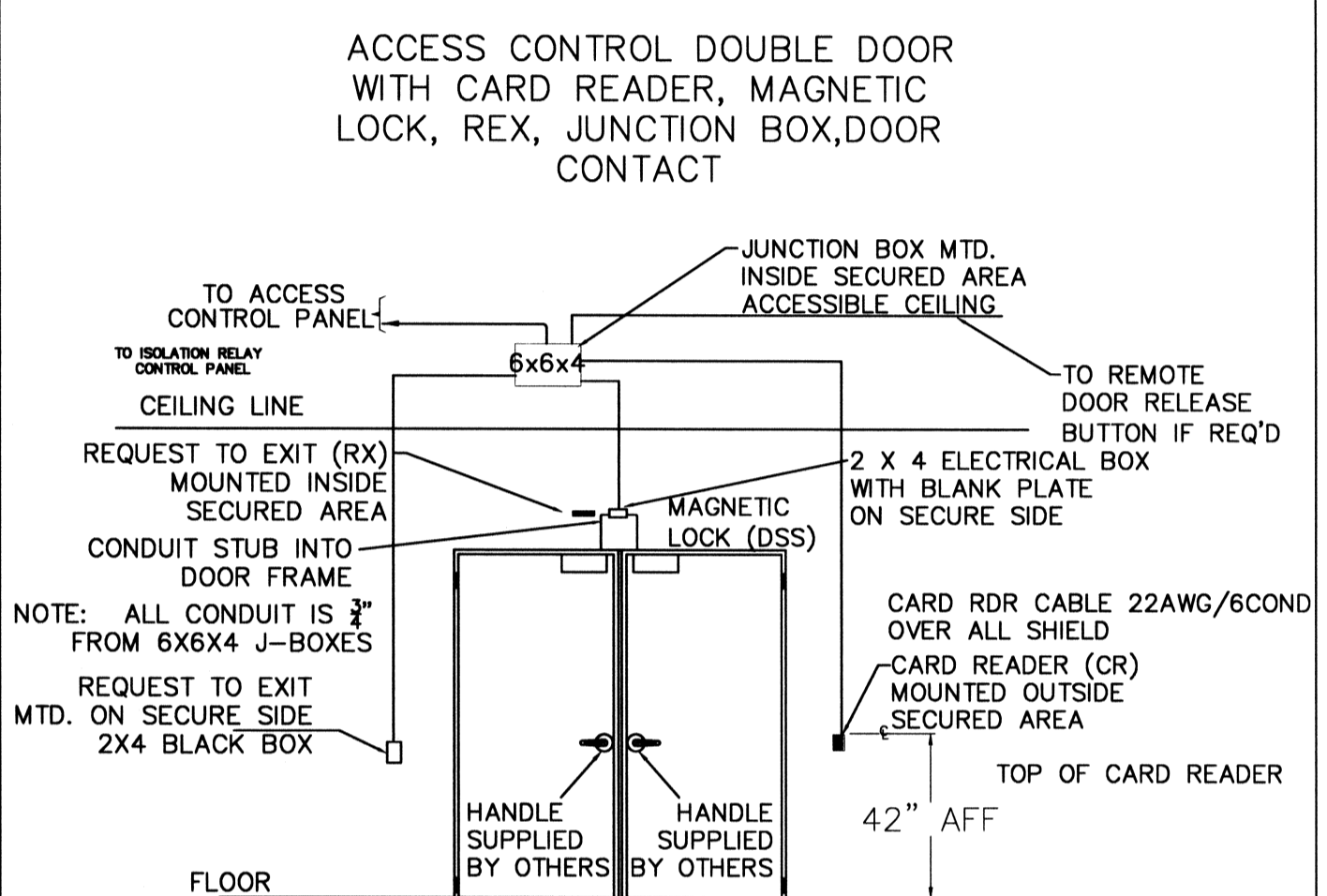
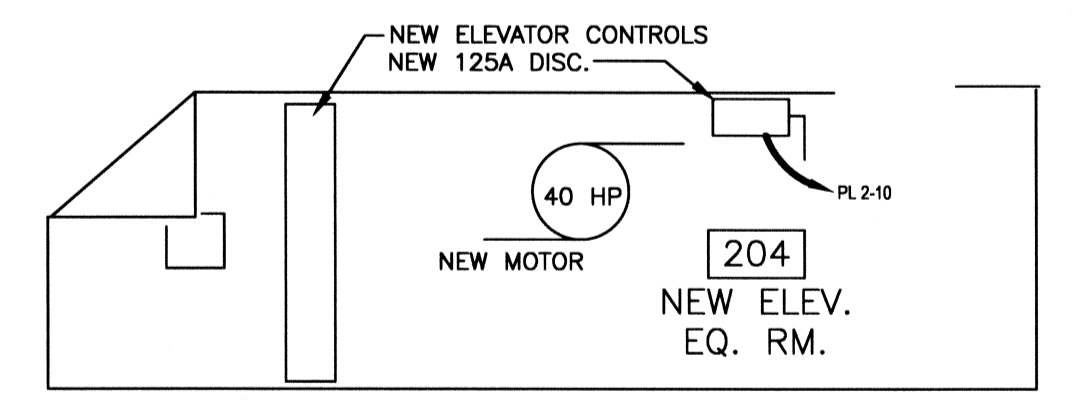


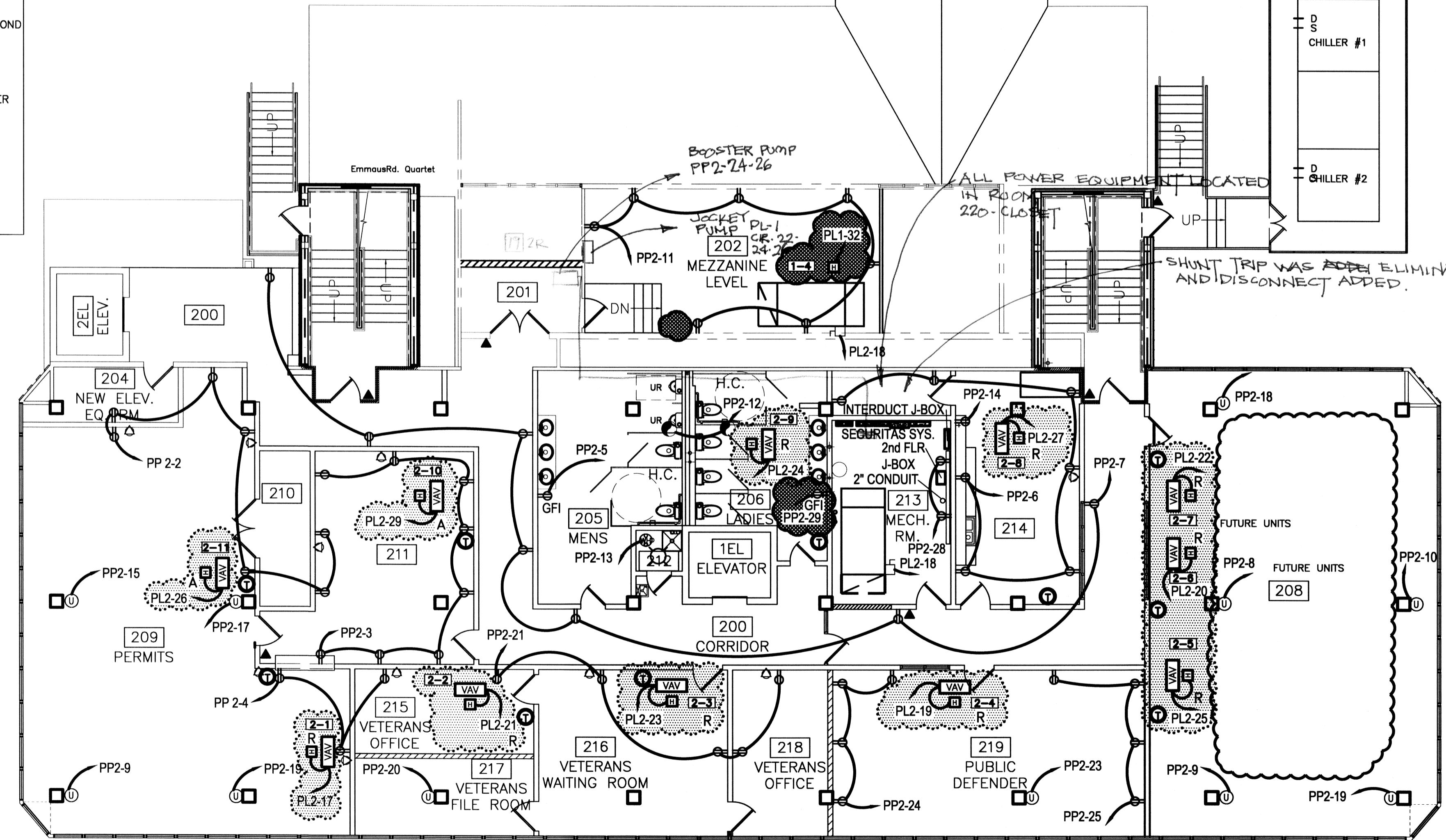
CONDUIT DOOR LAYOUT SINGLE DOOR MAG LOCK



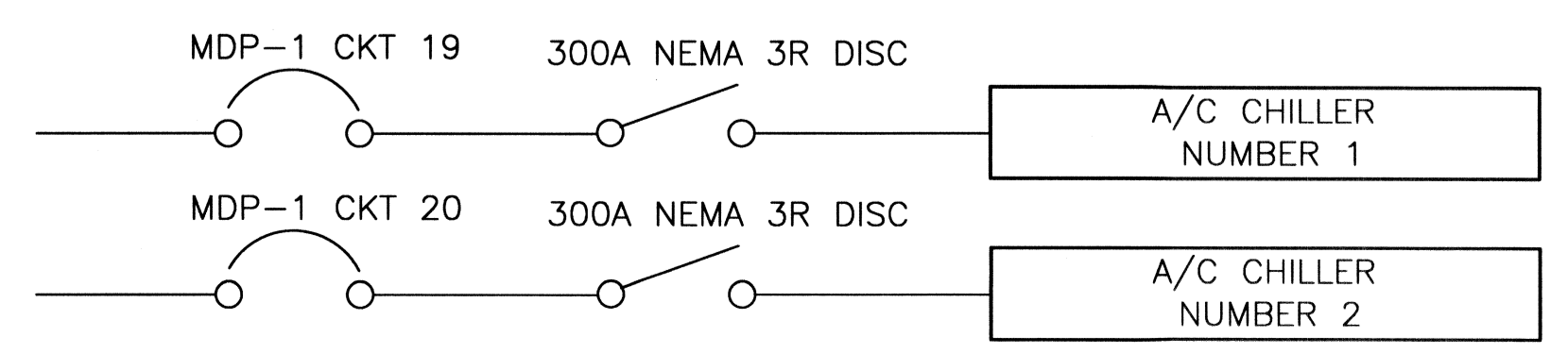
CONDUIT DOOR LAYOUT DOUBLE DOOR MAG LOCK



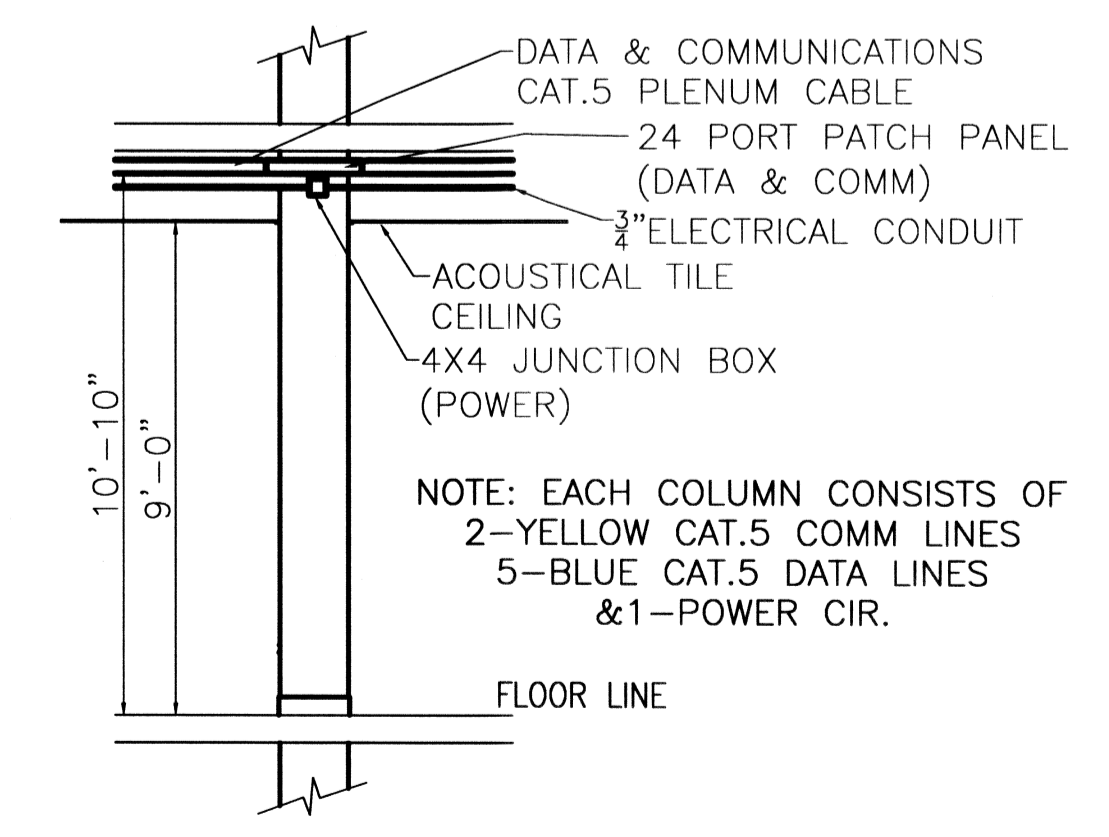
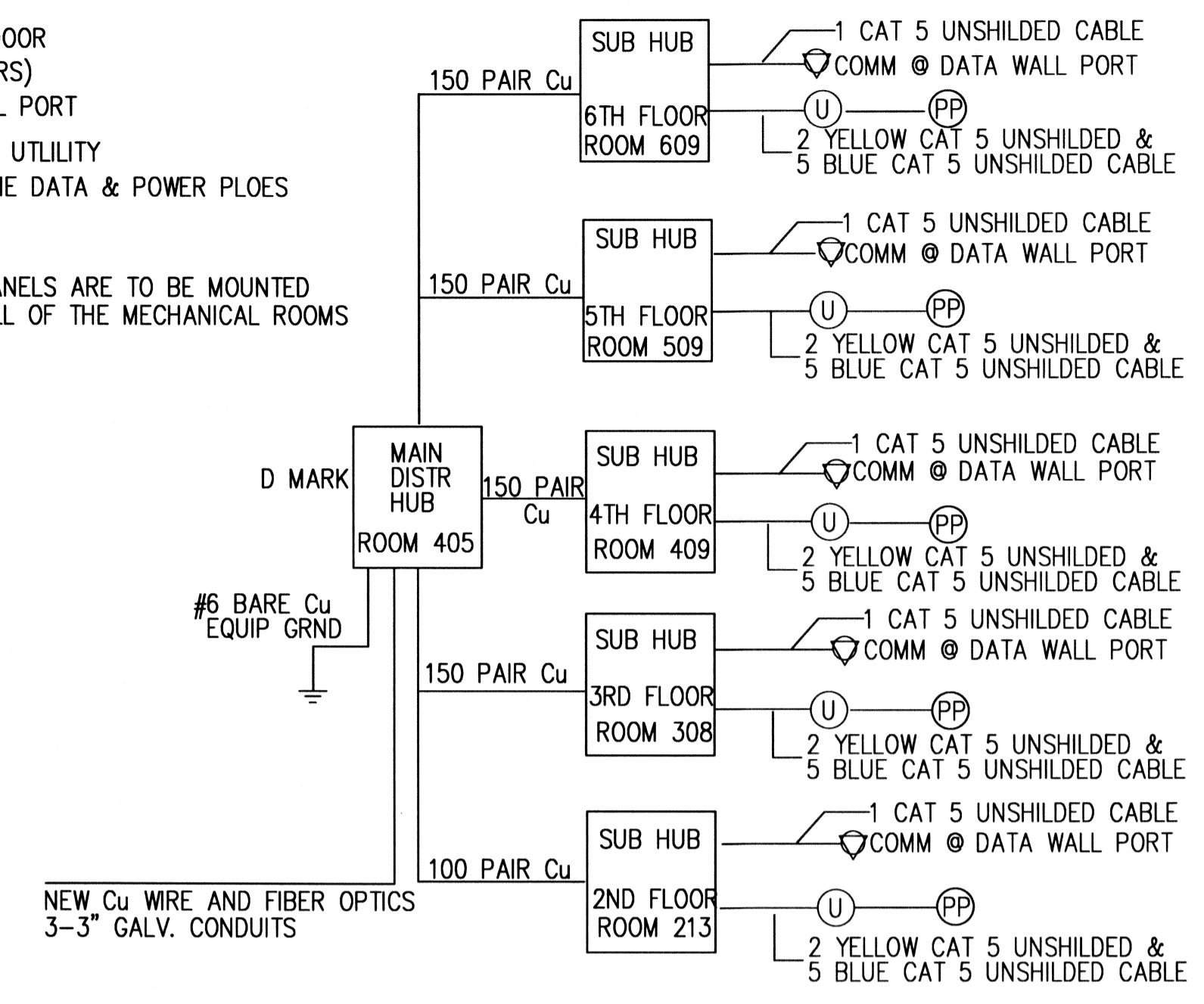
NEW WEST ELEVATOR M/C ROOM DETAIL
N. T. S.



SECOND FLOOR POWER PLAN
SCALE: 1/8" = 1'-0"



TYPICAL COMMUNICATIONS DATA & POWER ONE LINE DIAGRAM



COLUMN MOUNTED UTILITY DETAIL
SCALE: NTS

- LEGEND**
- RFI # 1/2
 - CHANGE ORDER #
 - NEW DUPLEX RECEPTACLE
 - EXHAUST FAN
 - SECURITY ACCESS DOOR (SCANNER BY OTHERS)
 - COMM @ DATA WALL PORT
 - ⊙ COLUMN MOUNTED UTILITY
 - ⊙ FUTURE TELEPHONE DATA & POWER PLOES BY OTHERS
- NOTES**
- ALL NEW POWER PANELS ARE TO BE MOUNTED ON THE NORTH WALL OF THE MECHANICAL ROOMS

2ND FLOOR POWER PLAN
ST. TAMMANY PARISH ADMIN. COMPLEX
OLD SPANISH TRAIL
SLIDELL, LOUISIANA

DAMMON ENGINEERING, INC.
1095 FLORIDA AVENUE 985-649-5832 SLIDELL, LA. 70458
DAMMONENGINEERING.COM

RENOVATE OFFICE BUILDING

SCALE: AS NOTED

FILE:

JOB NO. 1729

DATE: 1-8-07

SHEET

E2P

OF

RFP #2 11-13-07

STAR HVAC REVISED: 05/29/08 ab
HVAC REVISED: 02/26/08 ab
HVAC REVISED: 11/05/07 ab
REVISED: 03/07/07 ab
REVISED: 01/23/07