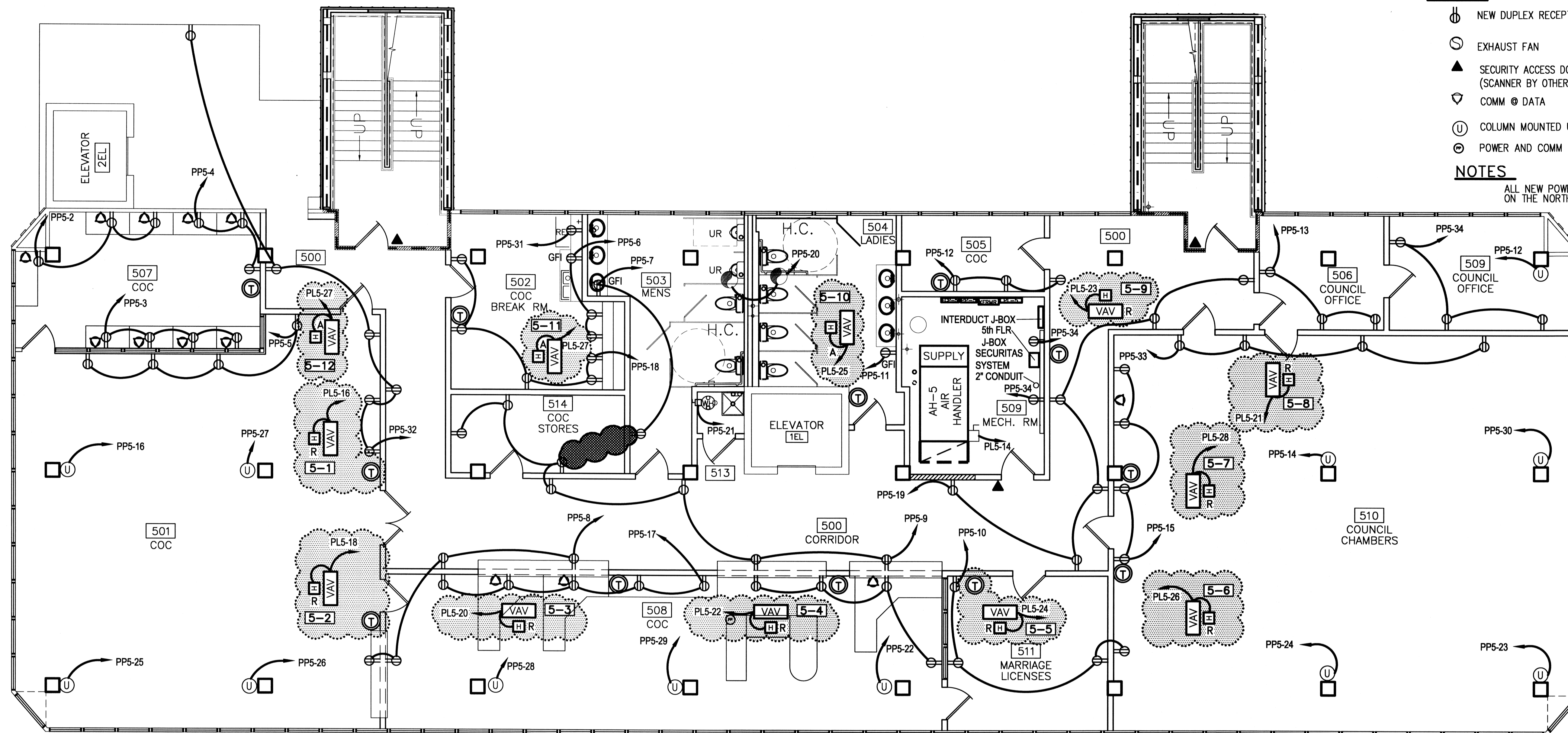


LEGEND

- ⊕ NEW DUPLEX RECEPTACLE
- ⊖ EXHAUST FAN
- ▲ SECURITY ACCESS DOOR (SCANNER BY OTHERS)
- ⊕ COMM @ DATA
- ⊕ COLUMN MOUNTED UTILITY
- ⊕ POWER AND COMM POLE

NOTES

ALL NEW POWER PANELS ARE TO BE MOUNTED ON THE NORTH WALL OF THE MECHANICAL ROOMS



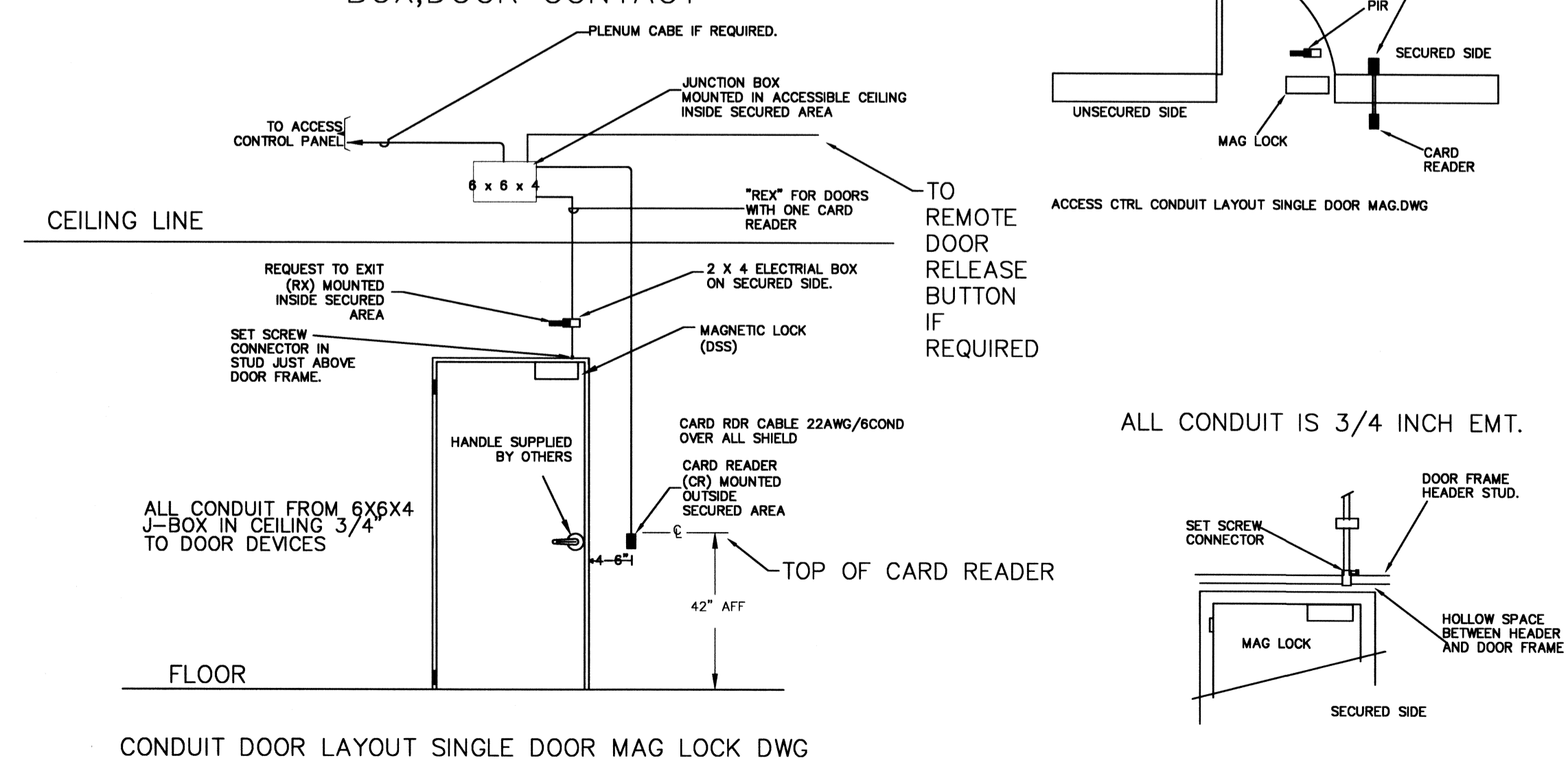
RENOVATE OFFICE BUILDING

5TH FLOOR POWER PLAN
ST. TAMMANY PARISH ADMIN. COMPLEX
OLD SPANISH TRAIL
SLIDELL, LOUISIANA

DAMMON ENGINEERING, INC.
1095 FLORIDA AVENUE 985-649-6832 SLIDELL, LA. 70458
DAMMONENGINEERING.COM

SCALE: AS NOTED
FILE:
JOB NO. 1729
DATE: 1-8-07
SHEET
E5P
OF

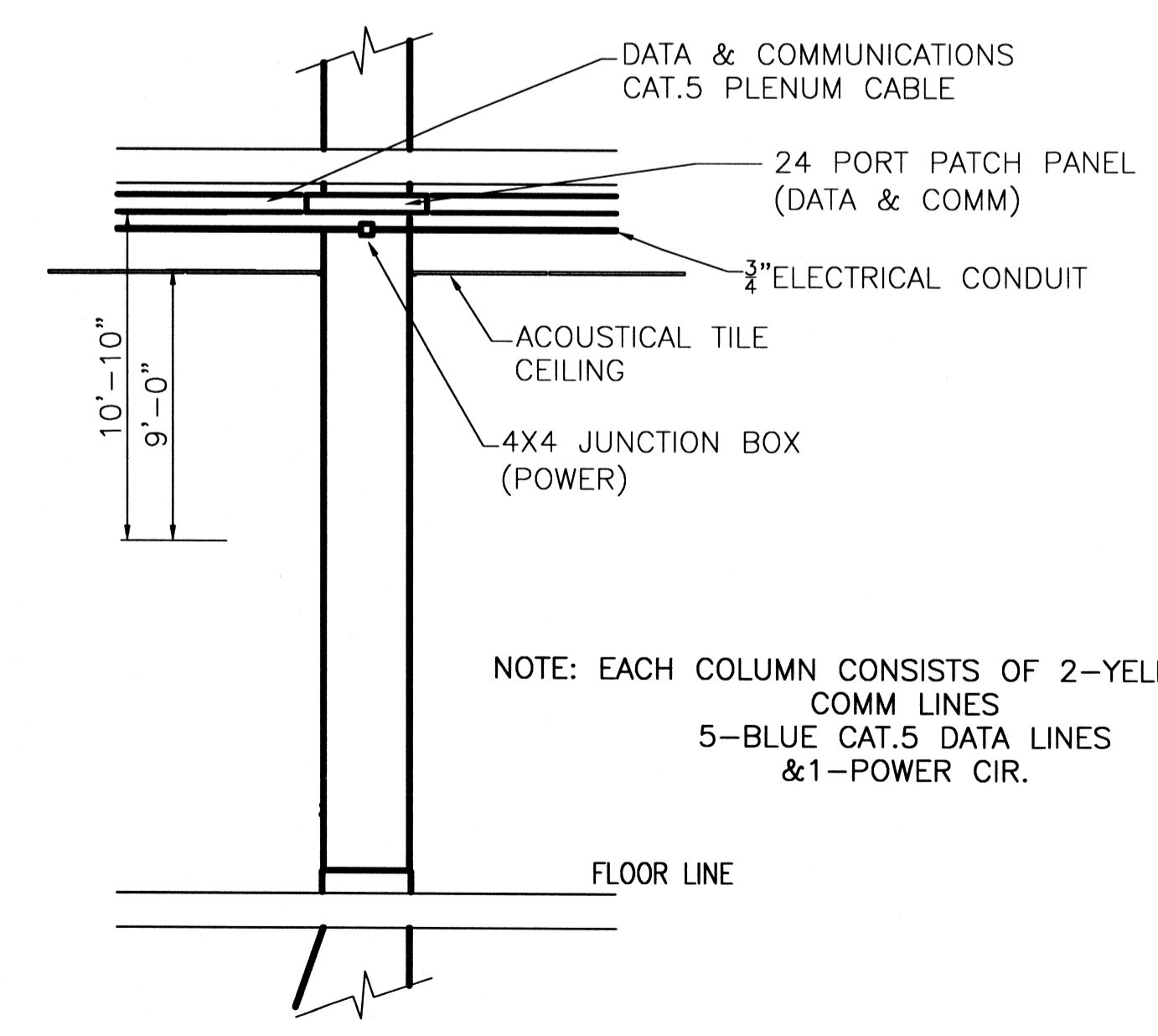
ACCESS CONTROL SINGLE DOOR WITH CARD READER, MAGNETIC LOCK, REX, JUNCTION BOX, DOOR CONTACT



CONDUIT DOOR LAYOUT SINGLE DOOR MAG LOCK DWG

FIFTH FLOOR POWER PLAN
SCALE: 3/16" = 1'-0"

- ⊕ PL1-18 - INDICATES ITEMS CHANGED - 06/27/08
- ⊕ 0000 R - INDICATES ITEMS CHANGED - 05/29/08
- R = RELOCATED
- A = ADDED



COLUMN MOUNTED UTILITY DETAIL
SCALE: NTS

NOTE: EACH COLUMN CONSISTS OF 2-YELLOW CAT.5 COMM LINES
5-BLUE CAT.5 DATA LINES
& 1-POWER CIR.

STAR HVAC REVISED: 05/29/08 ab
HVAC REVISED: 11/05/07 ab
REVISED: 01/23/07