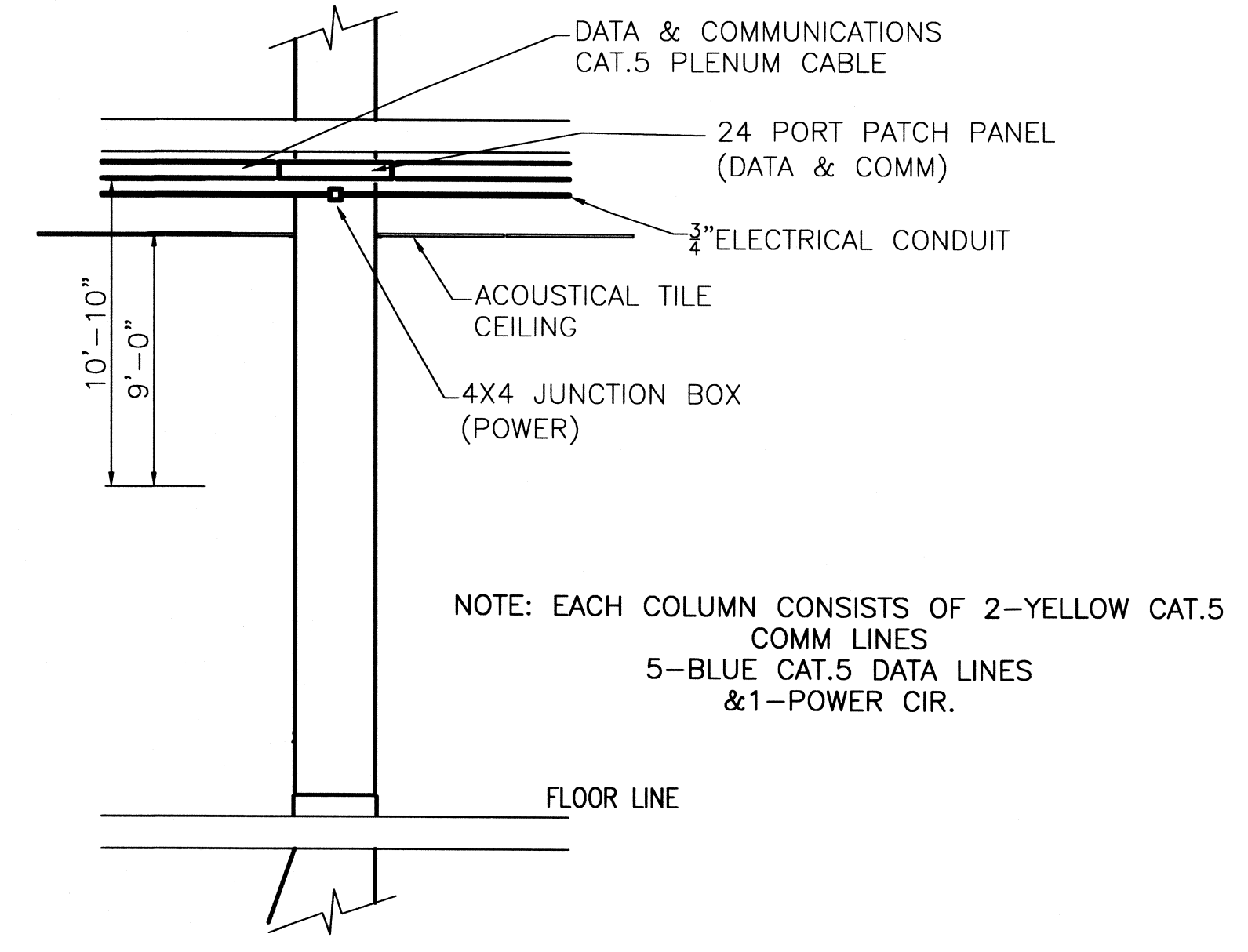
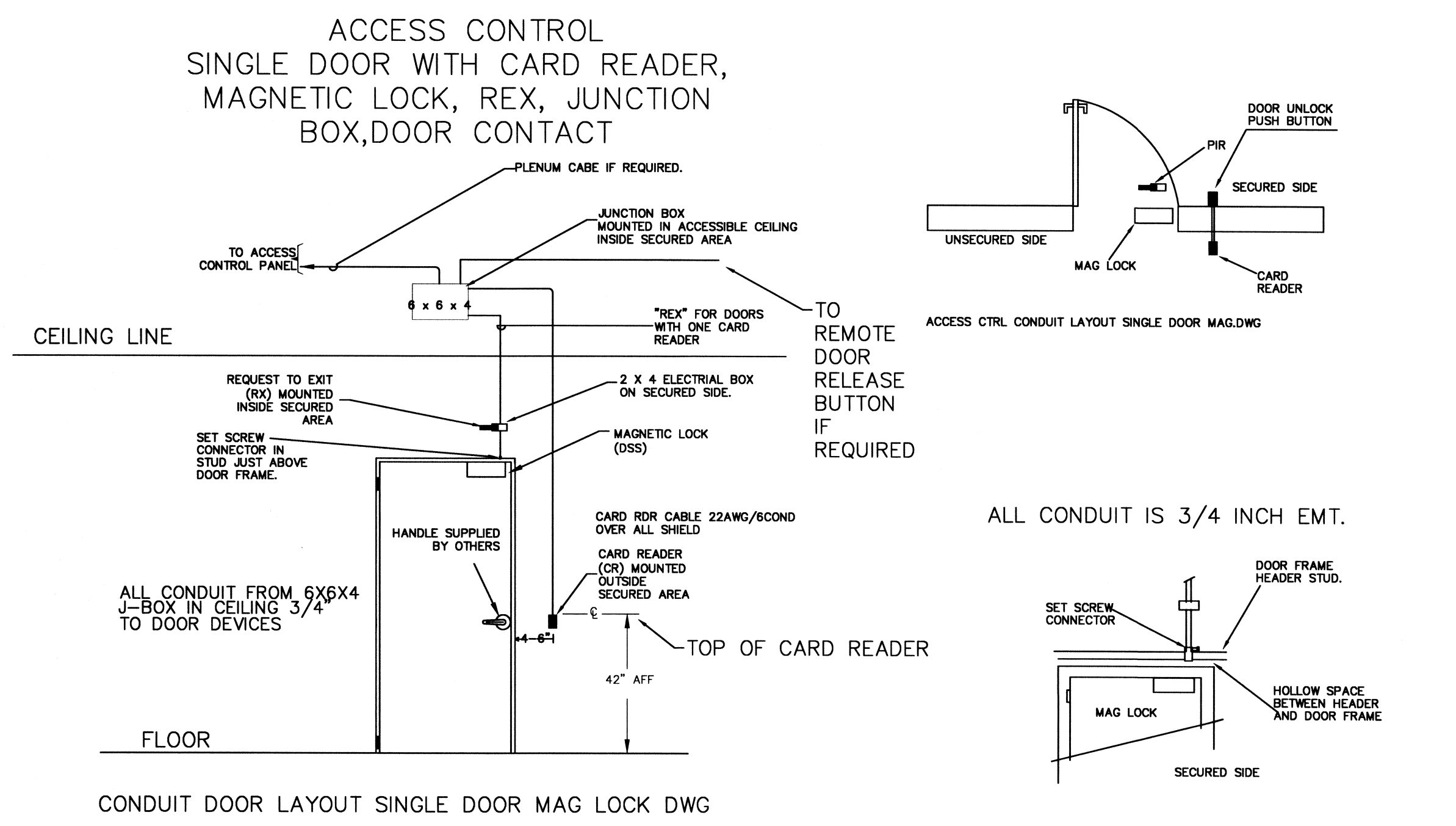


- LEGEND**
- ⊕ NEW DUPLEX RECEPTACLE
 - ⊙ EXHAUST FAN
 - ▲ SECURITY ACCESS DOOR (SCANNER BY OTHERS)
 - ▽ COMM @ DATA
 - ⊕ COLUMN MOUNTED UTILITY
 - ⊙ POWER AND COMM POLE
- NOTES**
- ALL NEW POWER PANELS ARE TO BE MOUNTED ON THE NORTH WALL OF THE MECHANICAL ROOMS

6TH FLOOR POWER PLAN
 ST. TAMMANY PARISH ADMIN. COMPLEX
 OLD SPANISH TRAIL
 SLIDELL, LOUISIANA

RENOVATE OFFICE BUILDING
DAMMON ENGINEERING, INC.
 1095 FLORIDA AVENUE 985-649-5832 SLIDELL, LA. 70458
 DAMMONENGINEERING.COM

SIXTH FLOOR POWER PLAN
 SCALE: 3/16" = 1'-0"



COLUMN MOUNTED UTILITY DETAIL
 SCALE: NTS

- 4x4 - INDICATES AREAS & ITEMS CHANGED- 10/17/08
- PL1-18 - INDICATES ITEMS CHANGED- 06/27/08
- 0000 R - INDICATES ITEMS CHANGED- 05/29/08
- R = RELOCATED
- A = ADDED

RFP 6 REVISED: 10/17/08 ab
 STAR HVAC REVISED: 05/29/08 ab
 HVAC REVISED: 11/05/07 ab
 REVISED: 04/23/07
 REVISED: 01/23/07

SCALE: AS NOTED
 FILE:
 JOB NO. 1729
 DATE: 1-8-07
 SHEET
E6P
 OF

RFP #2 11-13-07