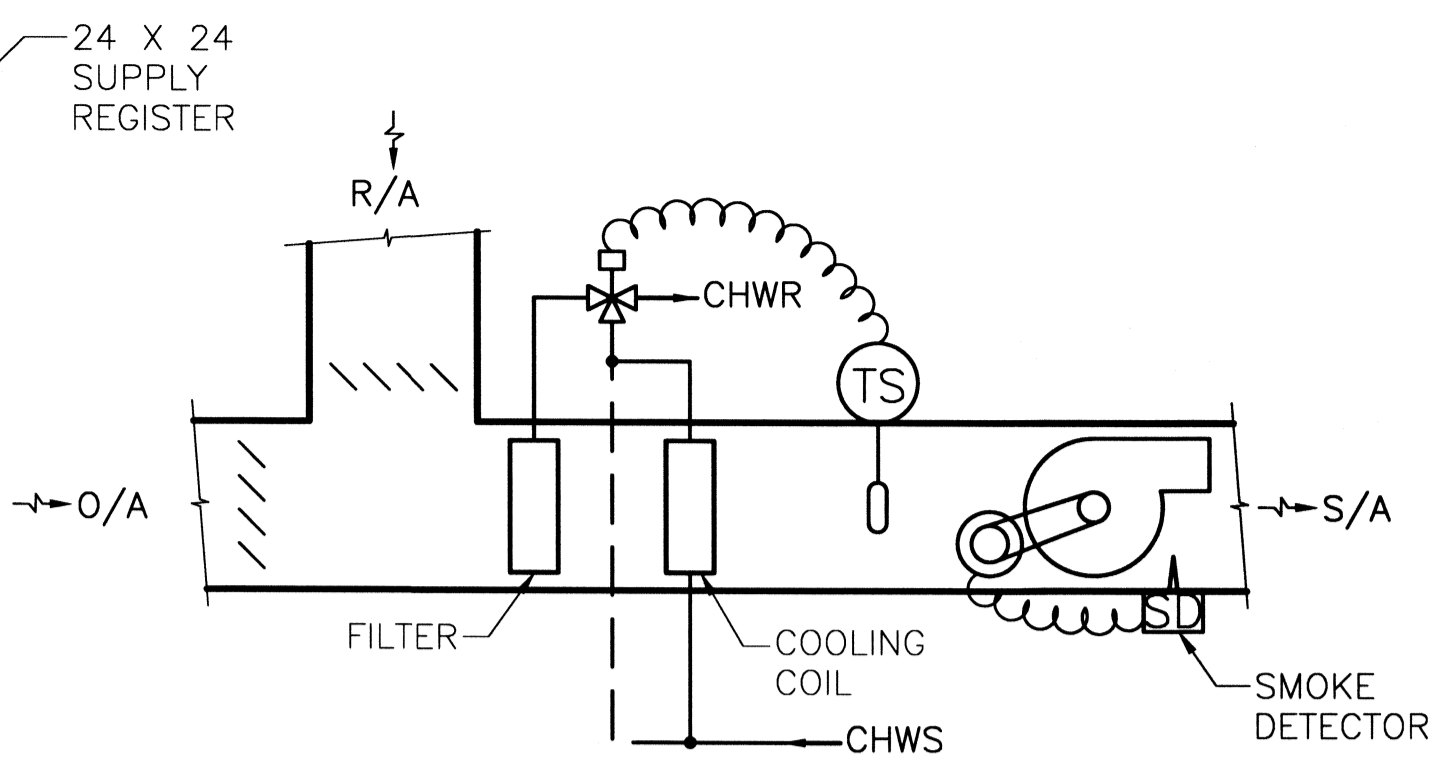


NOTE: SIZE ROUND DUCT PER SMACNA SPECIFICATIONS.

TYPICAL ROOM DUCT

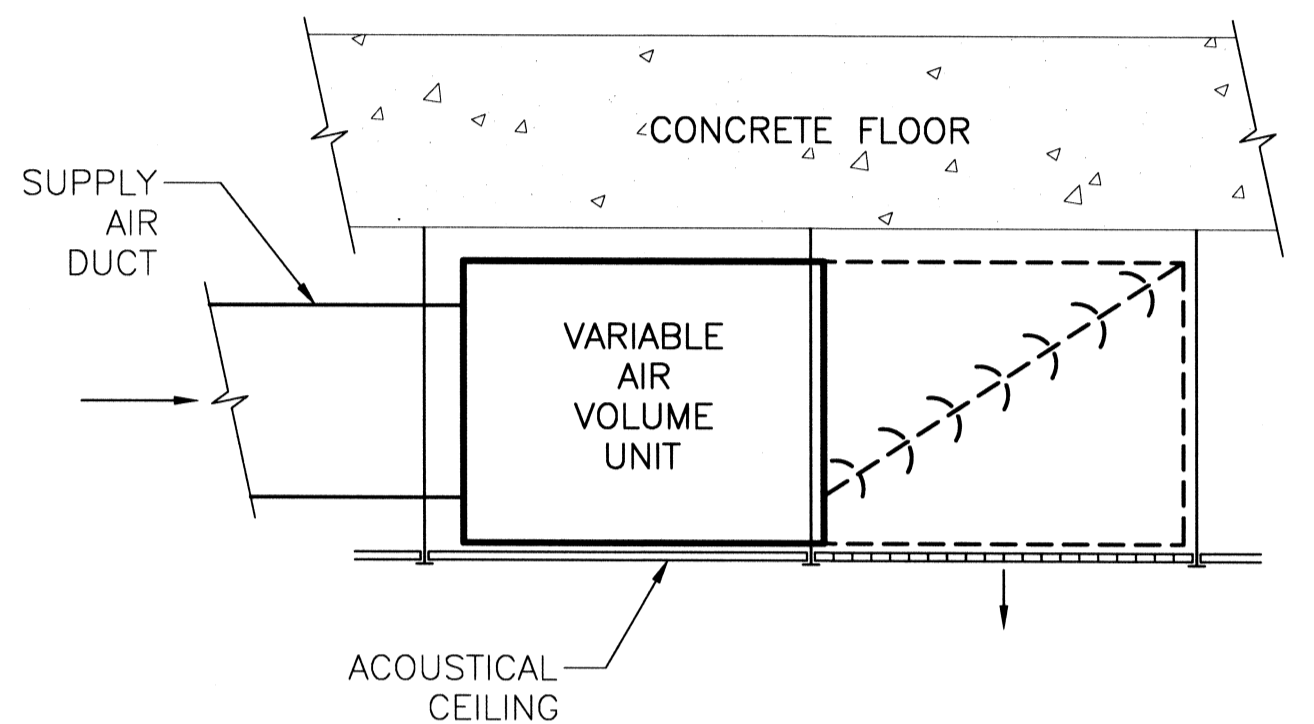
N. T. S.

CAUTION: CEILING TO DECK ABOVE 1'-4" MAX.



TYPICAL AIR HANDLER 9

N. T. S.



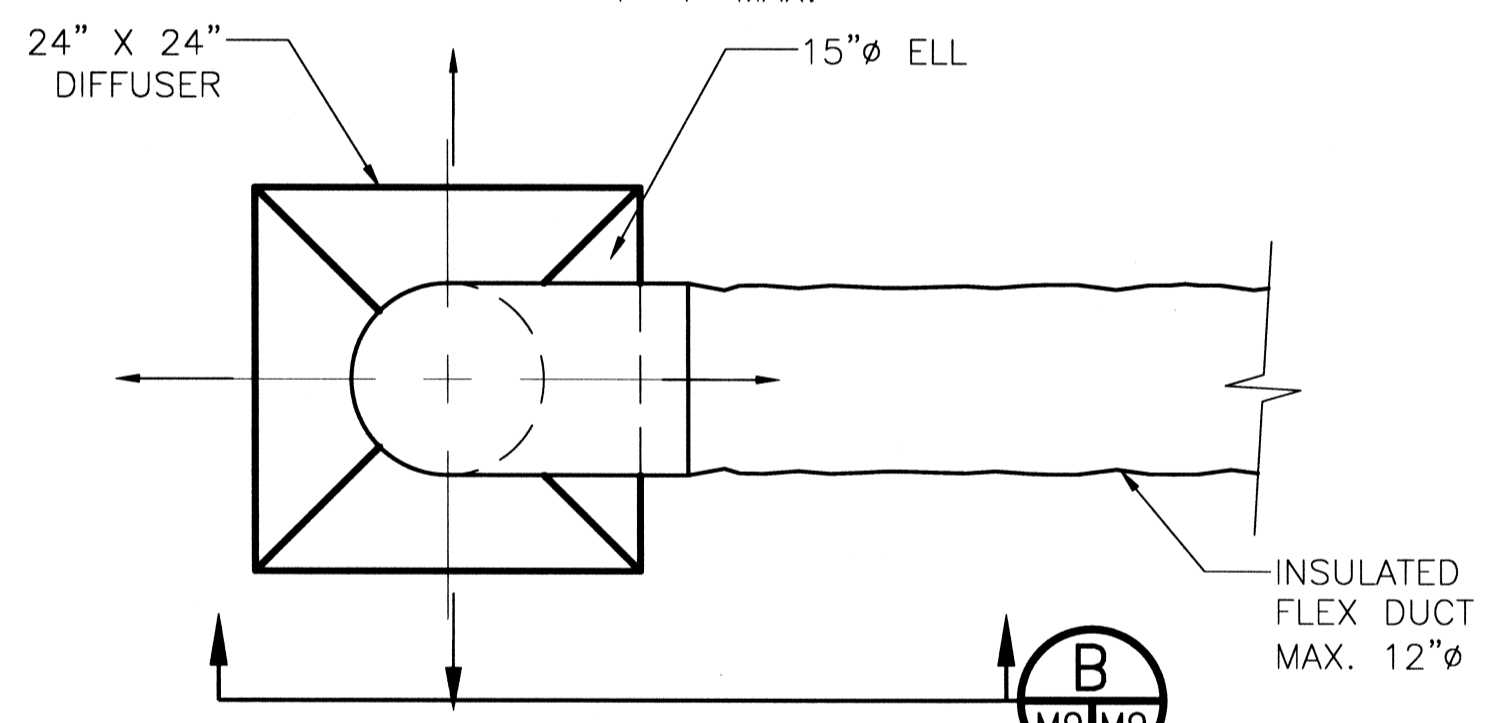
TYPICAL VAV UNIT DETAIL

N. T. S.

SYMBOL LEGEND

SYMBOL LEGEND APPLIES TO ALL MECHANICAL & PIPING.

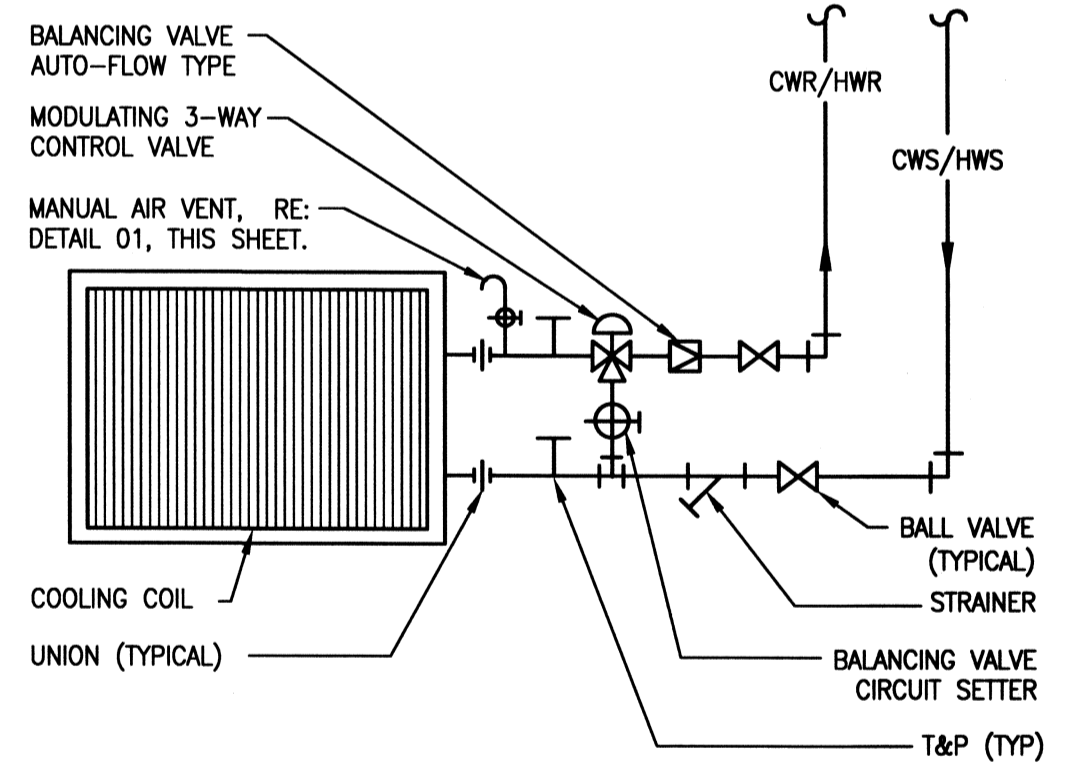
- GATE VALVE
- BALL VALVE
- ELECTRIC 3-WAY VALVE
- THERMOSTAT
- Y-STRAINER



ALTERNATE DESIGN DUCT

SCALE: 1" = 1'-0"

NOTE: CONTRACTOR TO PROVIDE VALVE KIT EQUIVALENT TO BELL & GOSSETT CIRCUIT SENTRY AC3YMC.



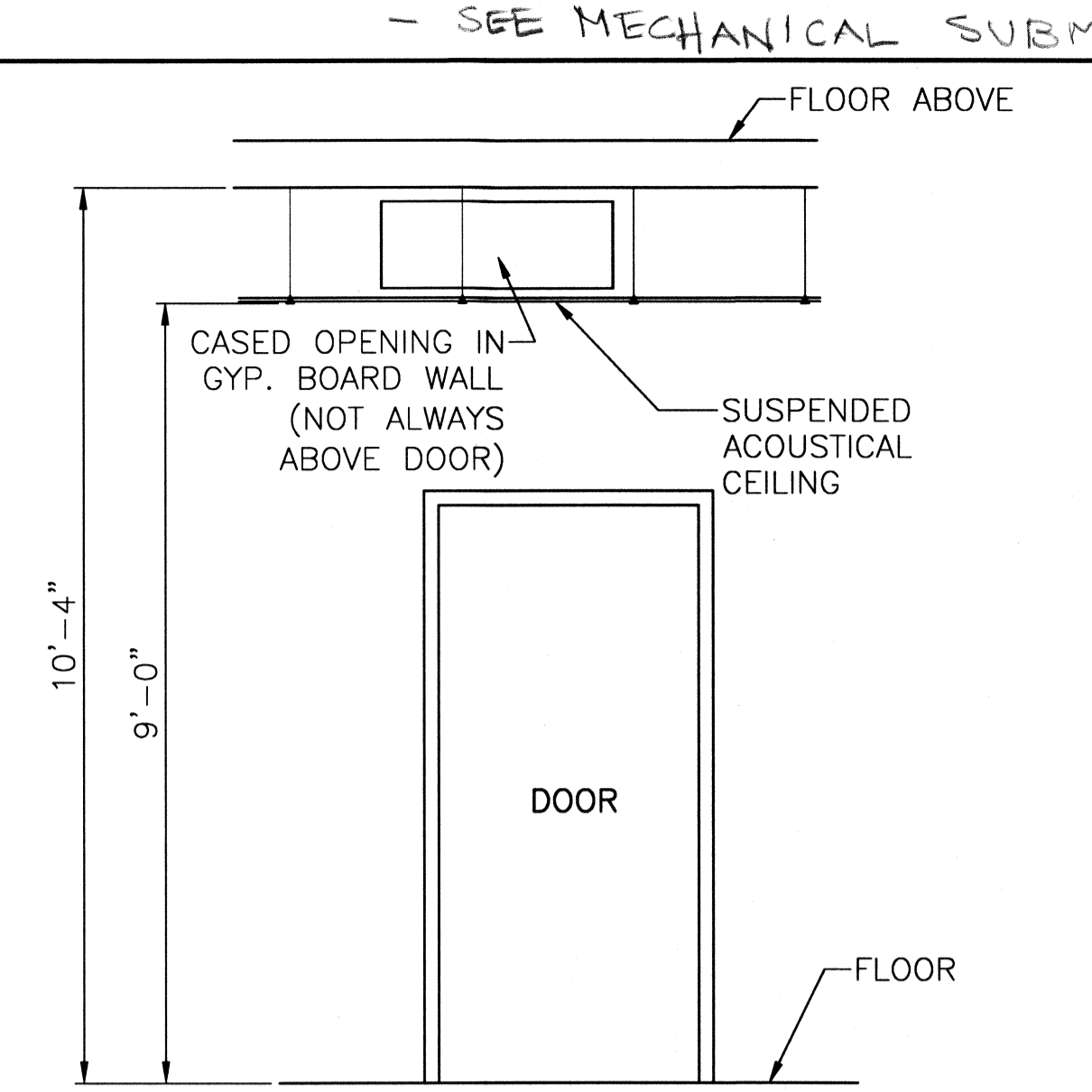
NOTE: THIS COIL PIPING ARRANGEMENT APPLIES TO ALL AIR HANDLERS WITH CHILLED WATER COILS AND HOT WATER COILS INCLUDING AHU'S THAT ARE DX WITH HOT WATER COILS. SEE DETAIL 04, SHEET M18 FOR ALL CLASSROOM COIL PIPING ARRANGEMENTS.

TYPICAL PIPING AT AHU

N. T. S.

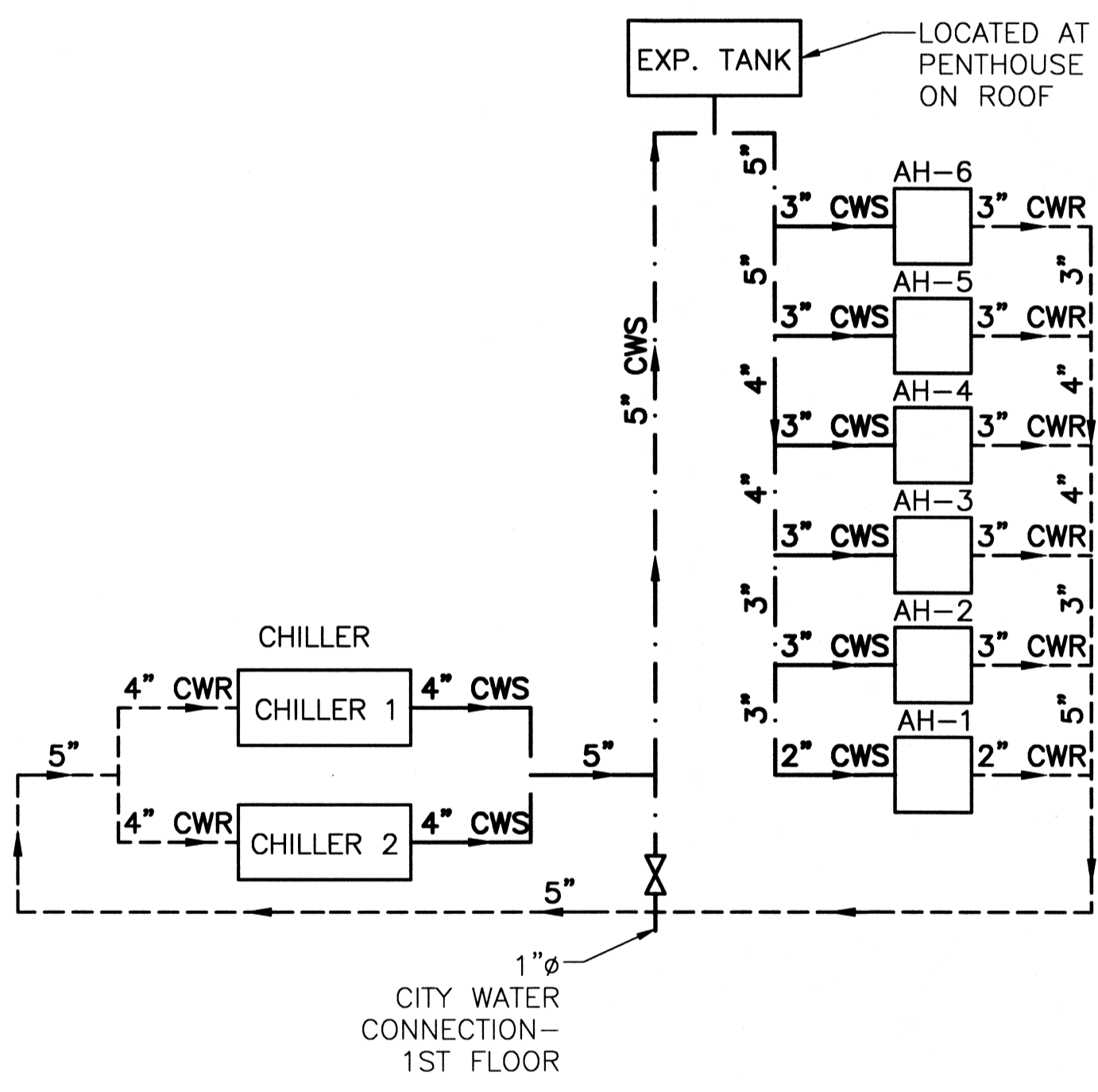
TOILET ROOM EXHAUST FAN SCHEDULE					
FLOOR	CFM	ESP IN. W.G.	ELECTRICAL	TYPE	
1	210	0.5"	120/60/1	CEILING MTD. W/ DUCT OUT (2 REQ'D.)	
1	80	0.5"	120/60/1	CEILING MTD. W/ DUCT OUT (1 REQ'D.)	
2	300	0.5"	120/60/1	CEILING MTD. W/ DUCT OUT (2 REQ'D.)	
3	300	0.5"	120/60/1	CEILING MTD. W/ DUCT OUT (2 REQ'D.)	
3	80	0.5"	120/60/1	CEILING MTD. W/ DUCT OUT (1 REQ'D.)	
4	300	0.5"	120/60/1	CEILING MTD. W/ DUCT OUT (2 REQ'D.)	
5	300	0.5"	120/60/1	CEILING MTD. W/ DUCT OUT (2 REQ'D.)	
6	80	0.25"	120/60/1	CEILING MTD. W/ DUCT OUT (2 REQ'D.)	
6	300	0.5"	120/60/1	CEILING MTD. W/ DUCT OUT (2 REQ'D.)	
7	*	0.25"	120/60/1	CEILING MTD. W/ DUCT OUT (1 REQ'D.)	

*COORDINATE WITH PENTHOUSE REQUIREMENTS.



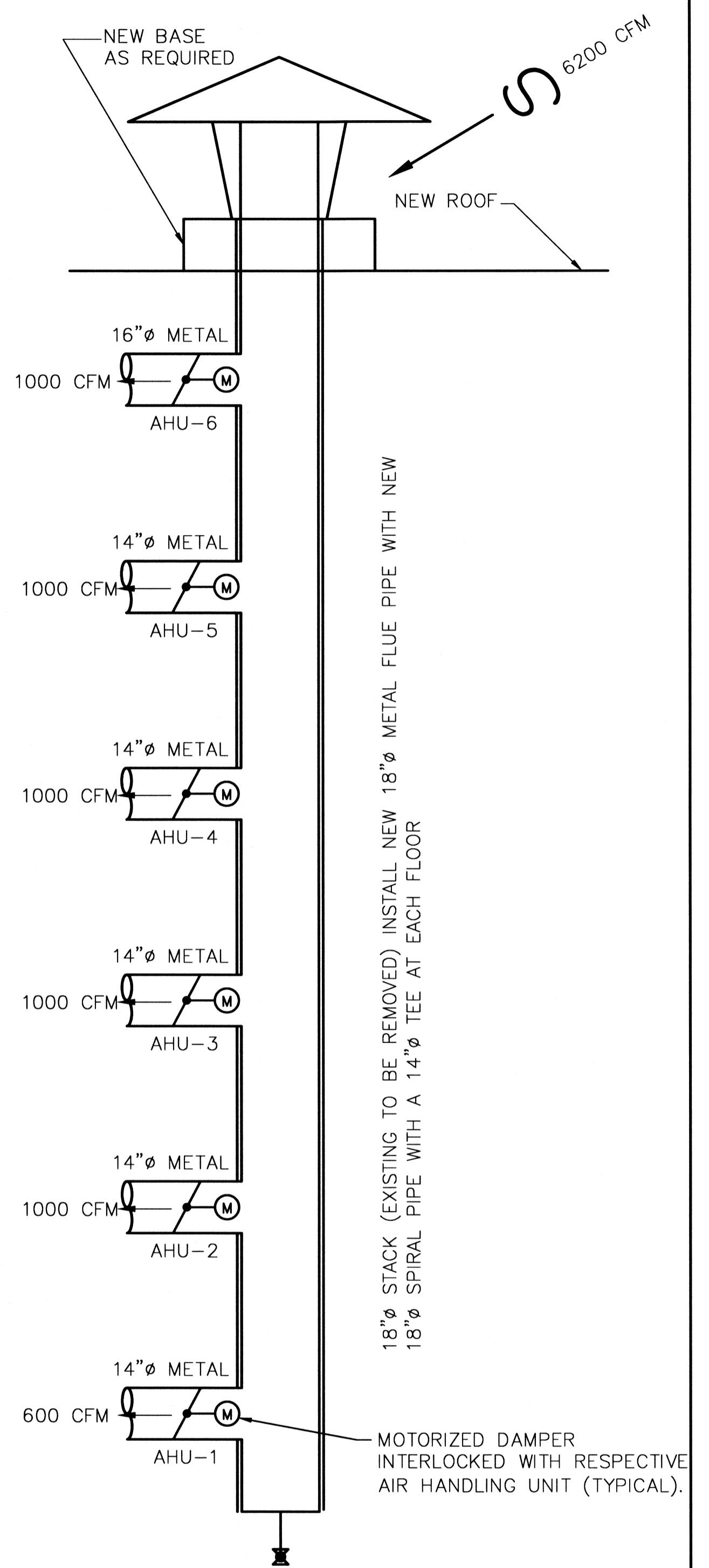
RETURN AIR OPENING DETAIL 10

N. T. S.



CHILLED WATER PIPING DIAGRAM

N. T. S.



OUTSIDE AIR RISER DIAGRAM

N. T. S.

SCHEDULE OF AHU UNITS										
FLOOR	CFM	COOLING BTU/H				FAN				TRANE MC SERIES
		SEN	LAT	TOTAL	CHW GPM	ESP IN. W.G.	HP	O/A CFM		
1	5,846	141.6	43.62	185.2	30.0	2.5	7.5	600	CONSTANT VOLUME	
2	11,000	266.4	87.38	353.8	70.5	3	15	1,000	VARIABLE AIR VOLUME	
3	11,000	266.4	87.38	353.8	70.5	3	15	1,000	VARIABLE AIR VOLUME	
4	11,000	266.4	87.38	353.8	70.5	3	15	1,000	VARIABLE AIR VOLUME	
5	11,000	266.4	87.38	353.8	70.5	3	15	1,000	VARIABLE AIR VOLUME	
6	11,000	266.4	87.38	353.8	70.5	3	15	1,000	VARIABLE AIR VOLUME	

HVAC EQUIPMENT SCHEDULE- SCEW CHILLERS

NUMBER	TONS	TEMPERATURES		MAX. GPM FLOW	HEAD PRESSURE	ELECT. POWER	MCA	MODEL
REQUIRED	MAX. REQ'D	° FARENHEIT			FEET H ₂ O	VOLT/PHASE/HERTZ	AMPS	(OR EQUAL)
		IN	OUT					
2	80	55	45	194.3	12.7	460/3/60	166	TRANE MODEL RTAA080

REVISED: 10-10-07ab
 REVISED: 05-10-07ab
 REVISED: 05-02-07ab
 REVISED: 04-09-07ab
 REVISED: 03-01-07dd

HVAC REVISED: 11-05-07ab

REVISED: STAR SERVICE 2-18-08

RFP #2 11-13-07

HVAC SYSTEM SCHEDULES & DETAILS
 ST. TAMMANY PARISH ADMIN. COMPLEX
 520 OLD SPANISH TRAIL
 SLIDELL, LOUISIANA

RENOVATE OFFICE BUILDING
DAMMON ENGINEERING, INC.
 1096 FLORIDA AVENUE 985-649-5832 SLIDELL, LA. 70458
 DAMMONENGINEERING.COM

SCALE: AS NOTED

FILE:

JOB NO. 1729

DATE: 1-8-07

SHEET

M-8

OF