

SPLIT SYSTEM SCHEDULE																			
AIR HANDLER							CONDENSING UNIT												
TAG	MAKE/MODEL	NOMINAL TONS	TOTAL CFM	OA CFM	Motor HP	ESP (" WC)	HEAT KW	POWER				TAG	MAKE/MODEL	NOMINAL TONS	POWER				REMARKS
								VAC	PH	MCA	MAX FUSE (AMPS)				VAC	PH	MCA	MAX FUSE (AMPS)	
AHU-1	Trane TEM6A0C60	5	1890	460	3/4	0.4	7.6	240	1	44	45	CU-1	Trane 4TTZ6060	5	240	1	34	60	1, 2, 3

NOTES:
 1 Provide condensate overflow switch & programmable 7/24 thermostat with lockable cover.
 2 Install units in accordance with manufacturer's recommendations.
 3 Provide new filters after commissioning and final acceptance.

DIFFUSER SCHEDULE				
TAG	SERVICE	NECK SIZE	DESCRIPTION	REMARKS
A	Supply Air	Ref. Plan	24"x 24" Adjustable Square Cone Diffuser, Price ASCDA w/ Insulated Back Panel	1, 2, 3
B	Supply Air	Ref. Plan	12"x 12" Adjustable Square Cone Diffuser, Price ASCDA w/ Insulated Back Panel	1, 2, 3
C	Return Air	Ref. Plan	24" X 24" Perforated, Ducted Return, Titus PAR	1, 2, 3
D	Return Air	Ref. Plan	12" X 12" Perforated, Ducted Return, Titus PAR	1, 2, 3

Notes:
 1. Seal perimeter of diffusers/grilles to prevent moisture migration from attic space, as applicable
 2. R value of insulated back panels/plenums to exceed R-6
 3. Coordinate with owner / architect for color and finish

DEHUMIDIFIER SCHEDULE

MIN-SPLIT SCHEDULE												
AIR HANDLER					OUTDOOR UNIT							
Tag	Make/Model	Cooling (MBH)	Heating (BTUH)	Remarks	Tag	Make/Model	Rated Capacity (MBH)	Power			Remarks	
								VAC	PH	MCA		Max Fuse (Amps)
MS-1	Daikin FTX09	9	9,000	1, 2, 3	HP-1	Daikin RX09	9	240	1	12.1	15	1

NOTES:
 1 Install per Manufacturer's recommendations
 2 Provide new filters after commissioning and final acceptance.
 3 Furnish with condensate pump removal kit and pan "Safe-T" float switch

EXHAUST FAN SCHEDULE									
TAG	FAN				POWER			MAKE / MODEL	REMARKS
	AIRFLOW (CFM)	TSP (" wc)	Watts	TYPE	VAC	PH	HZ		
EF-1	130	0.2	98	Ceiling Exhaust	120	1	60	Cook GC-148	1, 2

1. Install per manufacturer's recommendations
 2. Furnish with inline aluminum grille

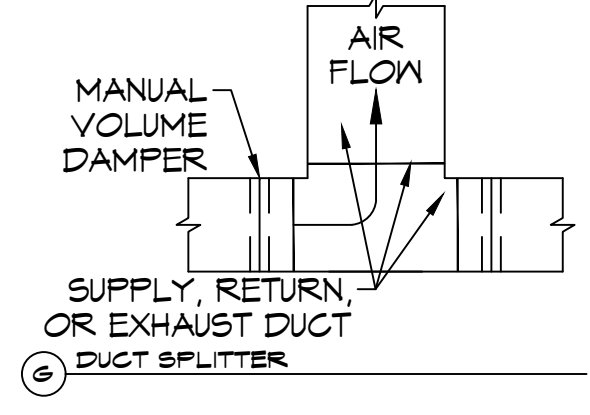
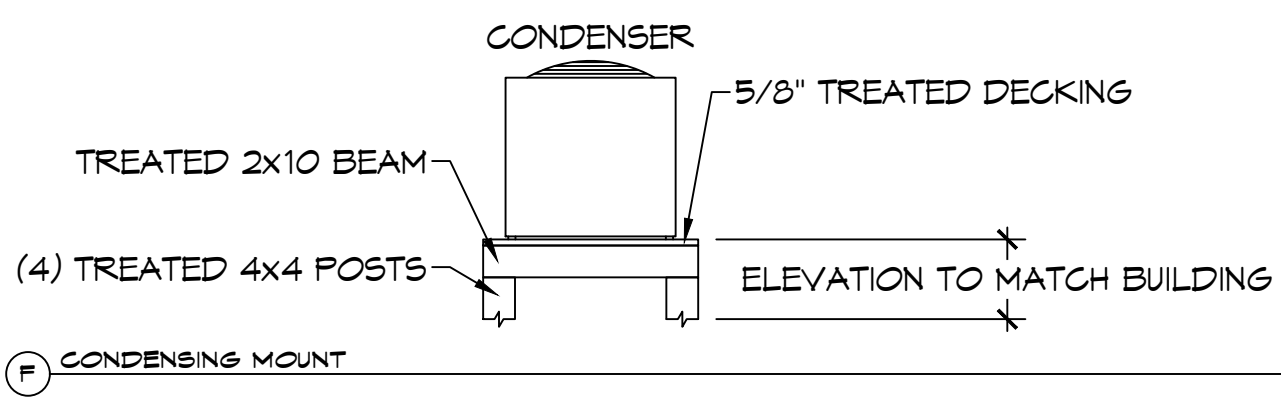
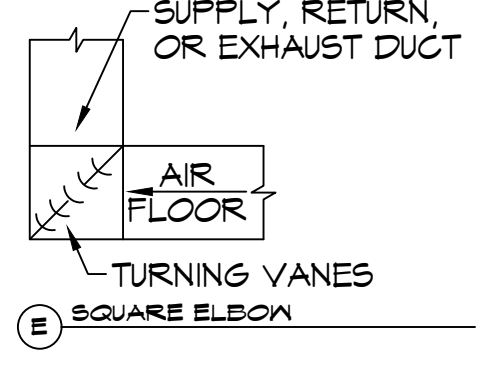
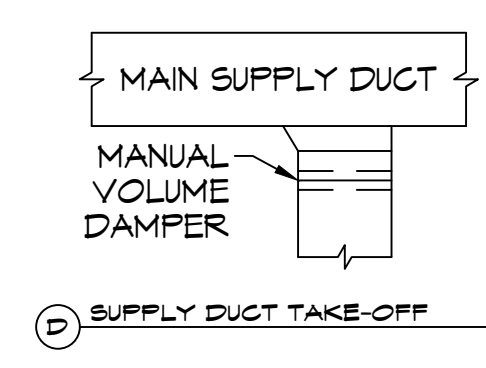
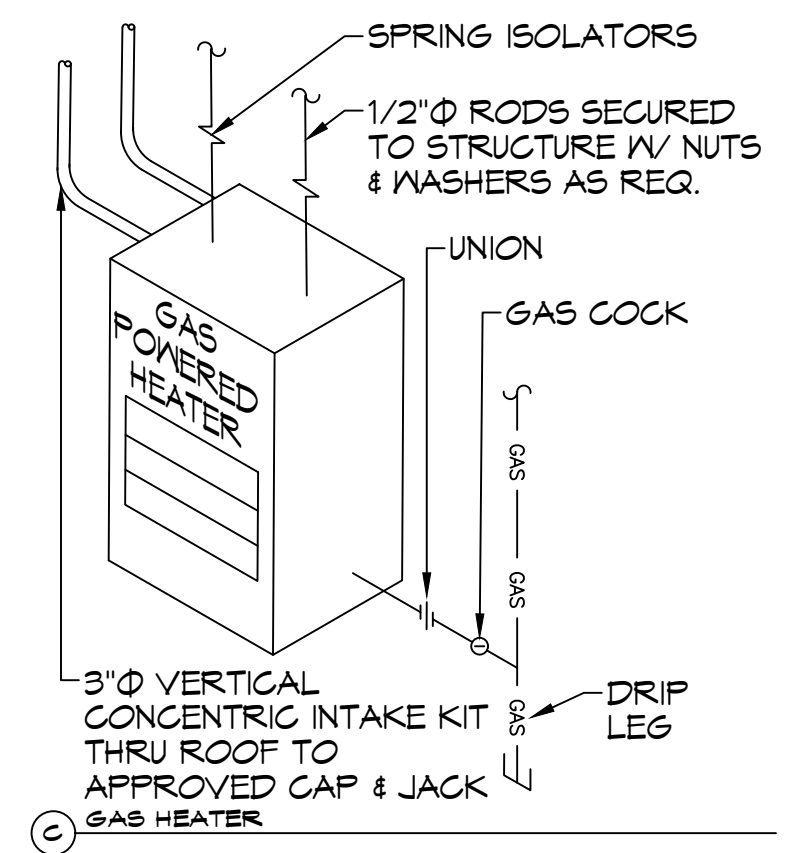
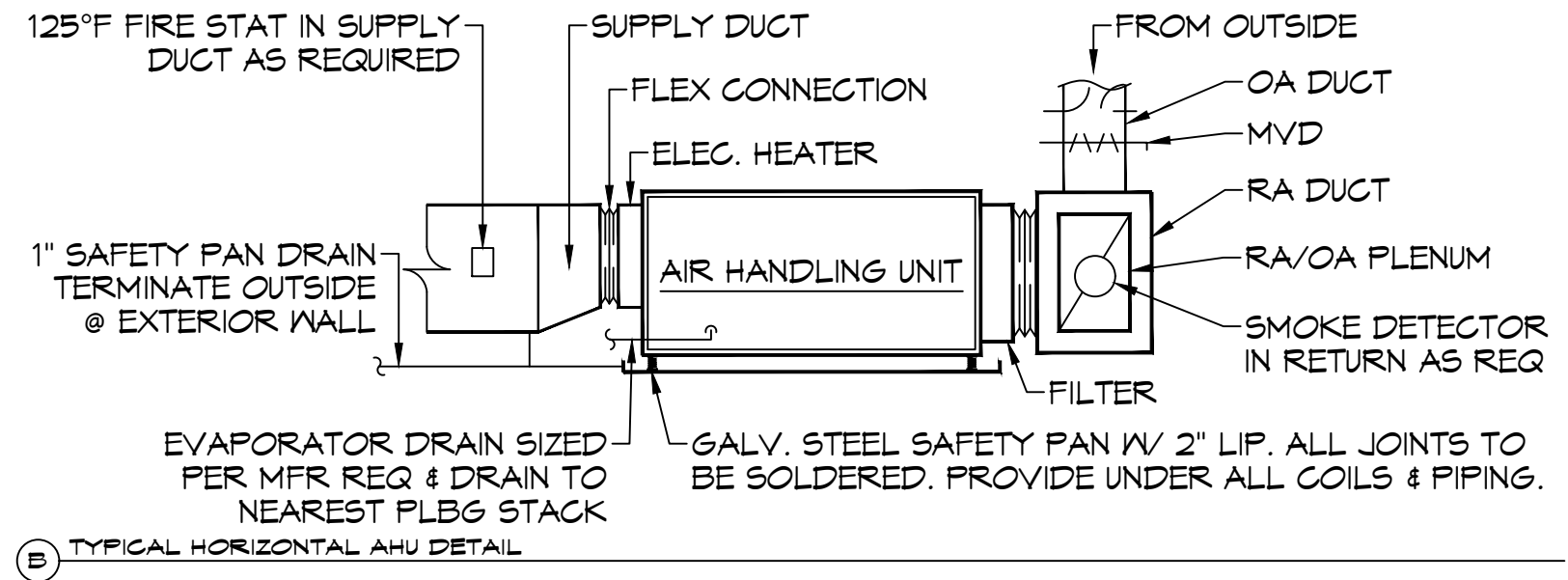
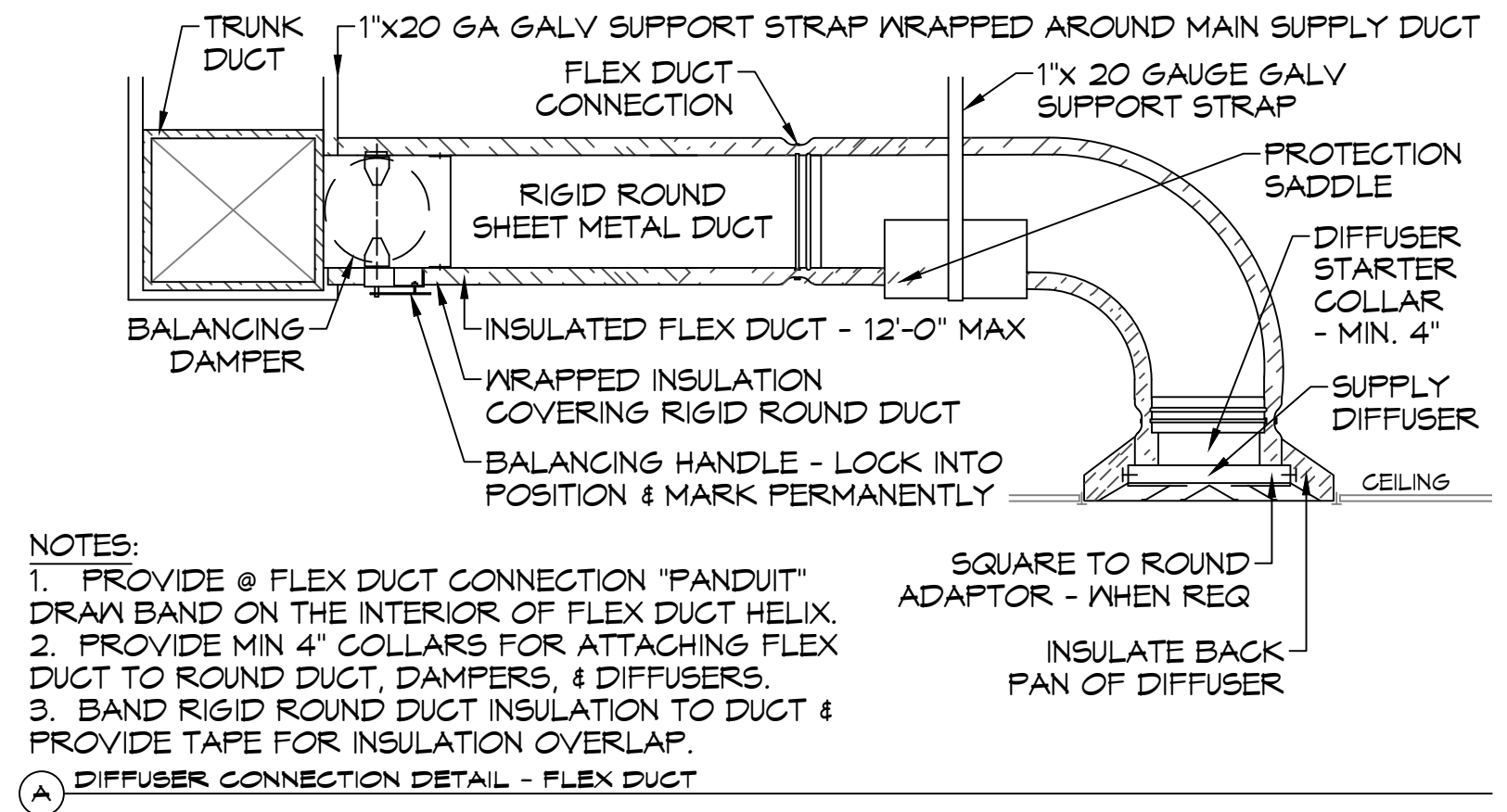
GAS FIRED HEATER SCHEDULE									
TAG	LOCATION	BTUH INPUT	CFM	HP	VOLTS	PHASE	RPM	FLUE DIA.	DESCRIPTION
GUH	ENGINE BAY	85000	1650	1/8	120	1	1550	3"	93% EFFICIENT CONDENSING FURNACE GAS HEATER WITH SEPARATE COMBUSTION, POWERED EXHAUST AND CONCENTRIC COMBUSTION/ EXHAUST KIT PROVIDED OPTONIC 409 S6 HEAT EXCHANGER. MODINE PTC-85-95-01

ELECTRIC WATER HEATER SCHEDULE								
TAG	GAL	RECOVERY 80°F RISE	KW	VOLT	PHASE	MOUNT	PIPE SIZE	DESCRIPTION
WH	47*	61	12	208	1	ATTIC	1"	RHEEM ELD5-25

* PROVIDED HOLDRITE 50-SWHF-W WALL MOUNT KIT. MOUNT 6'-8" A.F.F.

HVLS FAN SCHEDULE							
TAG	LOCATION	SIZE	RPM	HP	PHASE	FR	DESCRIPTION
F7B	ENGINE BAY	8' DIA.	191	1	208	1	HVLS 8'Ø FAN WITH VFD AND WALL MOUNTED CONTROL PANEL BIG ASS FANS POWERFOIL 8-08

MECHANICAL SCHEDULES



TYPICAL DETAILS
SCALE: N.T.S.

DAMMON ENGINEERING, INC.
 LOUISIANA & MISSISSIPPI
 Chief Engineer: Brian March, PE
 554 Old Spanish Trail
 Slidell, LA 70458
 www.dammonengineering.com
 info@dammonengineering.com
 PH: 985.649.8832

REVISIONS	DATE
# DESCRIPTION	

SEAL:

ST. TAMMANY FIRE PROTECTION DISTRICT NO. 1
FIRE STATION 19
 ALLEN ROAD
 SLIDELL, LOUISIANA 70461
 JOB No: 09-22-2022
 DATE: 09-22-2022
 DRAWN BY: CKD
 CHECKED BY: JMS
 SHEET TITLE:
 MECHANICAL DETAILS AND SCHEDULES
 DRAWING NUMBER:
M102
 SHEET No: 10 of x