

SPLIT SYSTEM SCHEDULE																			
TAG	MAKE/MODEL	NOMINAL TONS	TOTAL CFM	AIR HANDLER				HEAT KW	CONDENSING UNIT								REMARKS		
				OACFM	Motor HP	ESP (" WC)	TAG		MAKE/MODEL	NOMINAL TONS	POWER								
											VAC	PH	MCA	MAX FUSE (AMPS)					
AHU-1	Trane TEM6AOC60	5	1890	460	3/4	0.4	7.6	240	1	44	45	CU-1	Trane 4TTZ6060	5	240	1	34	60	1, 2, 3

NOTES:  
 1 Provide condensate overflow switch & programmable 7/24 thermostat with lockable cover.  
 2 Install units in accordance with manufacturer's recommendations.  
 3 Provide new filters after commissioning and final acceptance.

DIFFUSER SCHEDULE				
TAG	SERVICE	NECK SIZE	DESCRIPTION	REMARKS
A	Supply Air	Ref. Plan	24"x 24" Adjustable Square Cone Diffuser, Price ASCDA w/ Insulated Back Panel	1, 2, 3
B	Supply Air	Ref. Plan	12"x 12" Adjustable Square Cone Diffuser, Price ASCDA w/ Insulated Back Panel	1, 2, 3
C	Return Air	Ref. Plan	24" X 24" Perforated, Ducted Return, Titus PAR	1, 2, 3
D	Return Air	Ref. Plan	12" X 12" Perforated, Ducted Return, Titus PAR	1, 2, 3

Notes:  
 1. Seal perimeter of diffusers/grilles to prevent moisture migration from attic space, as applicable  
 2. R value of insulated back panels/plenums to exceed R-6  
 3. Coordinate with owner / architect for color and finish

MIN-SPLIT SCHEDULE												
AIR HANDLER					OUTDOOR UNIT							
Tag	Make/Model	Cooling (MBH)	Heating (BTUH)	Remarks	Tag	Make/Model	Rated Capacity (MBH)	Power		MCA	Max Fuse (Amps)	Remarks
								VAC	PH			
MS-1	Daikin FTX09	9	9,000	1, 2, 3	HP-1	Daikin RX09	9	240	1	12.1	15	1

NOTES:  
 1 Install per Manufacturer's recommendations  
 2 Provide new filters after commissioning and final acceptance.  
 3 Furnish with condensate pump removal kit and pan "Safe-T" float switch

EXHAUST FAN SCHEDULE											
TAG	FAN				POWER			MAKE / MODEL	REMARKS		
	AIRFLOW (CFM)	TSP (" wc)	Watts	HP	VAC	PH	HZ				
EF-1	130	0.2	98		120	1	60	Cook GC-148	1, 2		
EF-2	1450	0.1		1/4	120	1	60	Greenheck AE-12-433-A4X-QD	1, 3		
EF-3	3480	0.1		1/3	120	1	60	Greenheck S2-18-415-A3	1, 4		

1. Install per manufacturer's recommendations.  
 2. Furnish with in-line aluminum grille.  
 3. Furnish with matching roof curb.  
 4. Furnish with OSHA motor guard, weatherhood and backdraft damper.

DEHUMIDIFIER SCHEDULE							
TAG	PART NUMBER	WATTS	PHASE	VOLTS	AMPS	DUCT SIZES	
						INLET	OUTLET
DH	ULTRA - AIRE - XT155H	920 @ 80°F & 60% RH	SINGLE	110-120	8	10" ROUND DUCT COLLAR 6" ROUND DUCT COLLAR	10" OVAL DUCT COLLAR

GAS FIRED HEATER SCHEDULE									
TAG	LOCATION	BTUH INPUT	CFM	HP	VOLTS	PHASE	RPM	FLUE DIA.	DESCRIPTION
GUH-1,2	ENGINE BAY	85000	1650	1/8	120	SINGLE	1550	3"	93% EFFICIENT CONDENSING FURNACE GAS HEATER WITH SEPARATE COMBUSTION, POWERED EXHAUST AND CONCENTRIC COMBUSTION/ EXHAUST KIT PROVIDED OPTONIC 409 SS HEAT EXCHANGER. MODINE FTC-85-SS-01

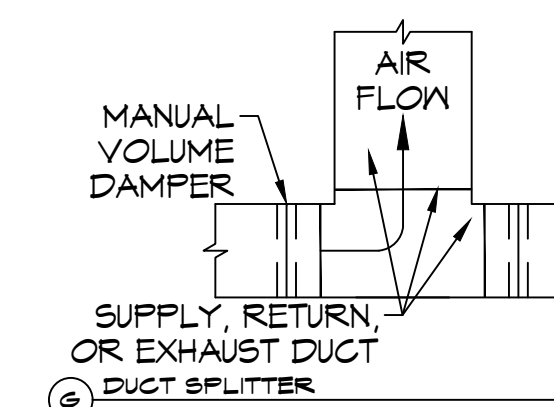
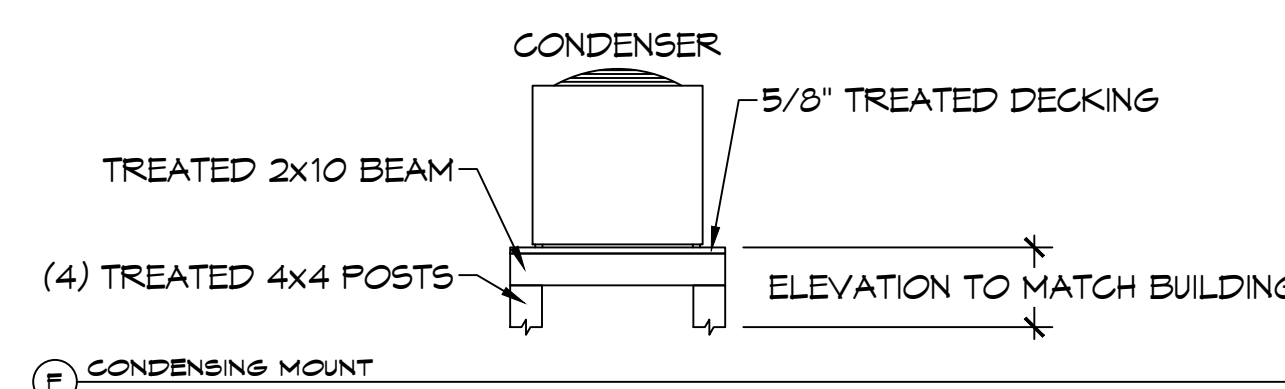
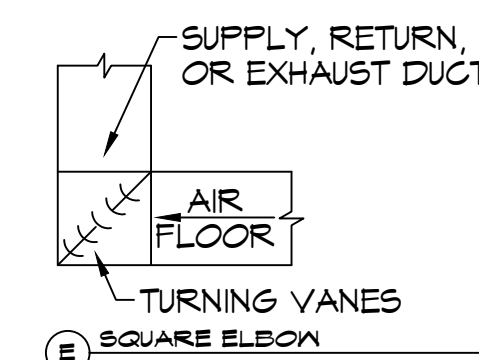
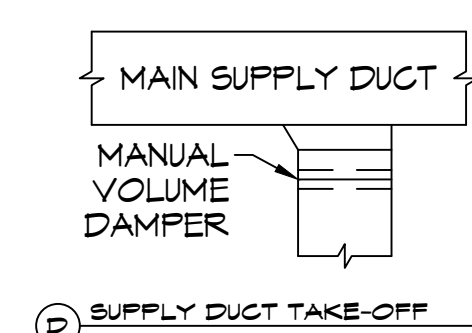
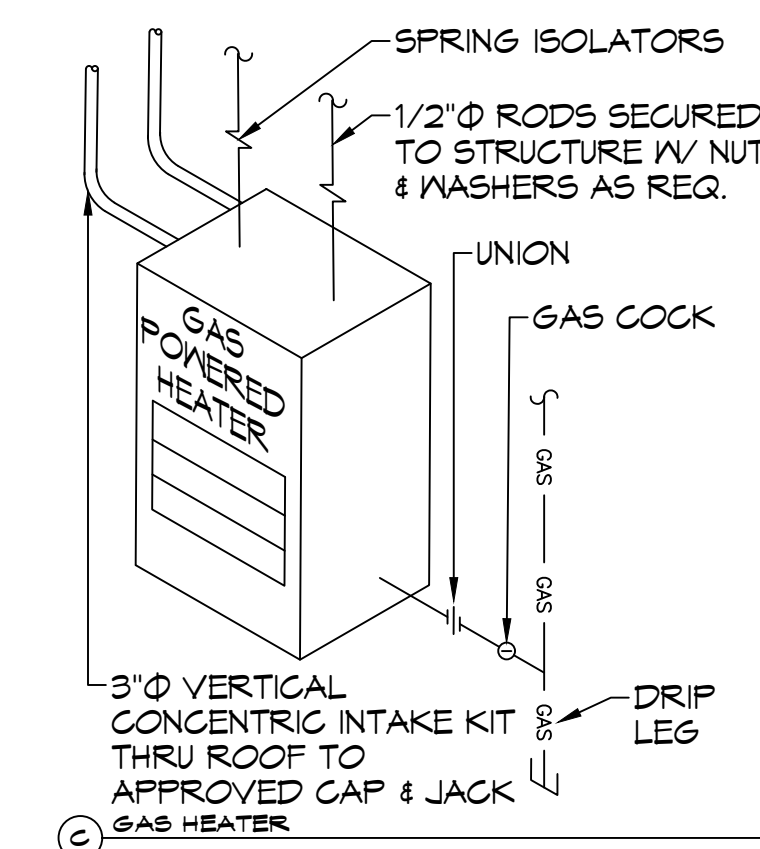
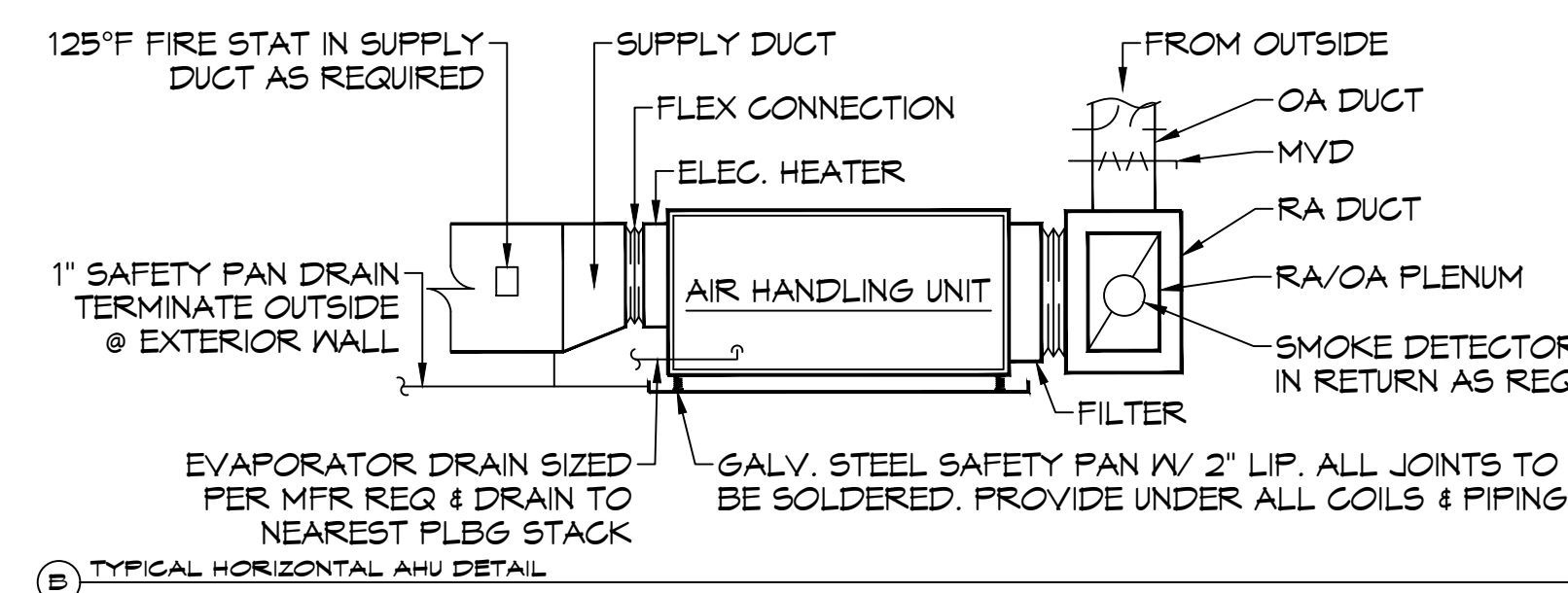
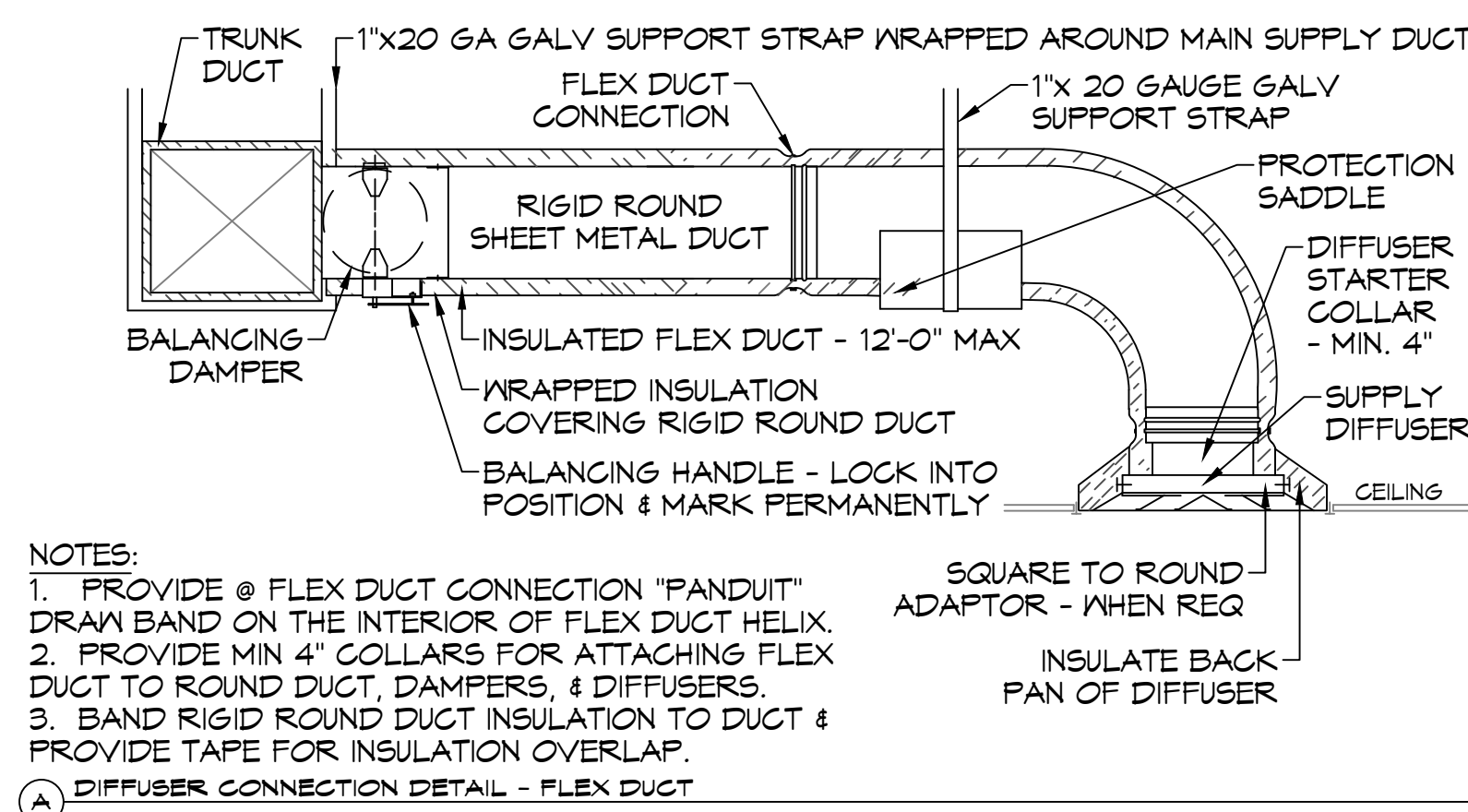
ELECTRIC WATER HEATER SCHEDULE								
TAG	GAL	RECOVERY 80°F RISE	KW	VOLT	PHASE	MOUNT	PIPE SIZE	DESCRIPTION
WH	47*	61	12	208	SINGLE	ATTIC	1"	RHEEM ELDS-52

\* PROVIDED HOLDRITE 50-SWHP-W WALL MOUNT KIT. MOUNT 6'-8" A.F.F.

AIR HAWK SCHEDULE								
TYPE	PART NUMBER	(CFM)	RPM	STATIC PRESSURE (IN - WC)	VOLTS / PHASE	HP	BREAKER	QTY
AIR HAWK	AH-3000XL	2740	1100	1.85 SO	208/240 V 1PH	1	15 AMP	3

HYLS FAN SCHEDULE						
TAG	LOCATION	SIZE	RPM	HP	FR	DESCRIPTION
FTB	ENGINE BAY	8' DIA.	191	1	1	HYLS 8'Ø FAN WITH VFD AND WALL MOUNTED CONTROL PANEL BIG ASS FANS POWERFOL 8-08

VEHICLE EXHAUST SYSTEM			
DESCRIPTION	PART NUMBER	QTY	REMARKS
CONTROL PANEL	600627 - 01	1	
PHOTO EYES	600701	4	



TYPICAL DETAILS  
 SCALE: N.T.S.

**DAMMON ENGINEERING, INC.**  
 LOUISIANA & MISSISSIPPI  
 Chief Engineer: Brian Metch, PE  
 554 Old Spanish Trail  
 Slidell, LA 70458  
 www.dammonengineering.com  
 info@dammonengineering.com  
 PH: 985.649.8832

REVISIONS	DATE
# DESCRIPTION	

SEAL:

ST. TAMMANY FIRE PROTECTION DISTRICT NO. 1  
**FIRE STATION 19**  
 ALLEN ROAD  
 SLIDELL, LOUISIANA 70461  
 JOB No: 09-22-2022  
 DATE: 09-22-2022  
 DRAWN BY: CKD  
 CHECKED BY: JMS

SHEET TITLE:  
 MECHANICAL DETAILS AND SCHEDULES  
 DRAWING NUMBER:  
**M102**  
 SHEET No: 10 of x