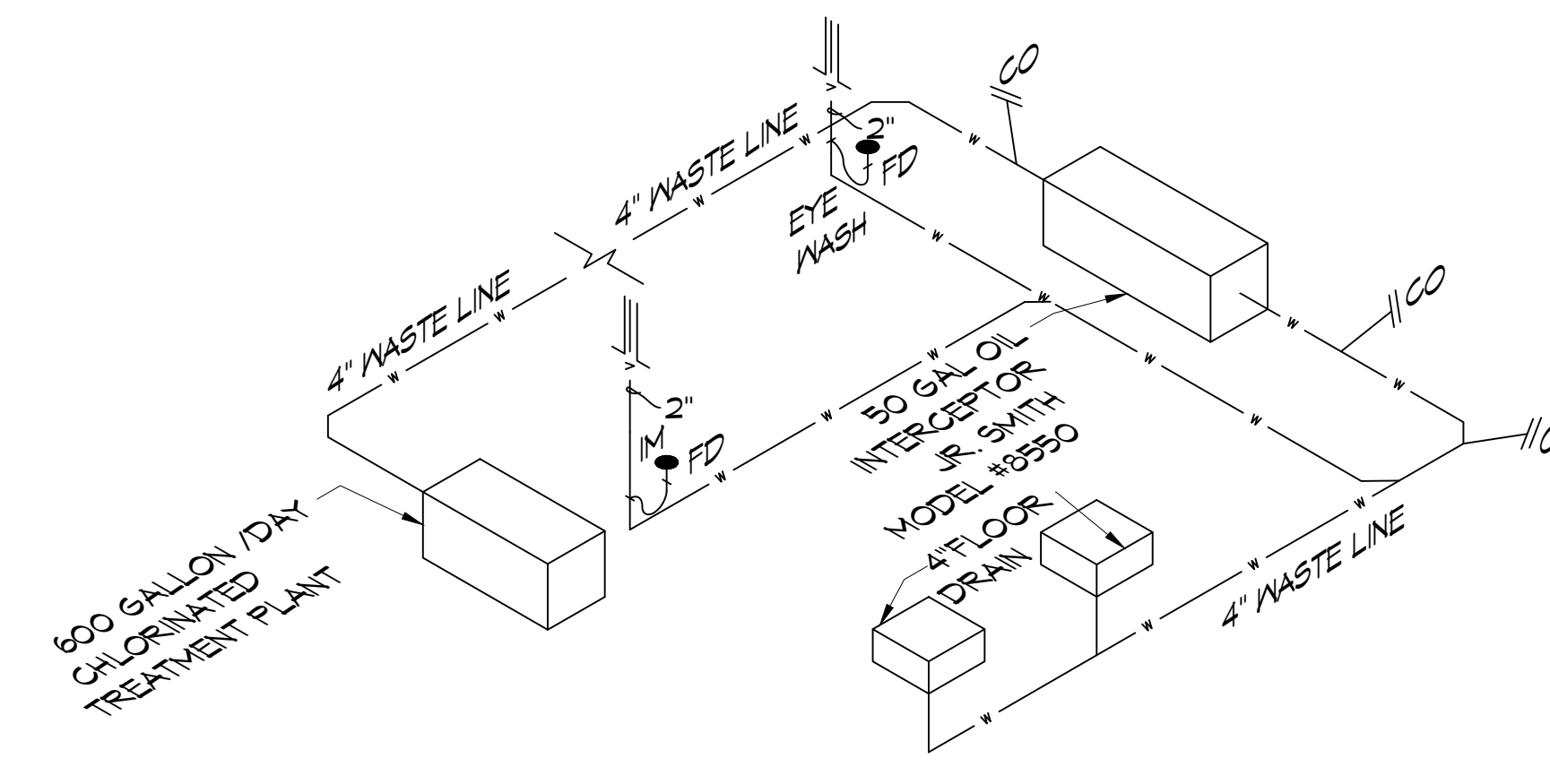
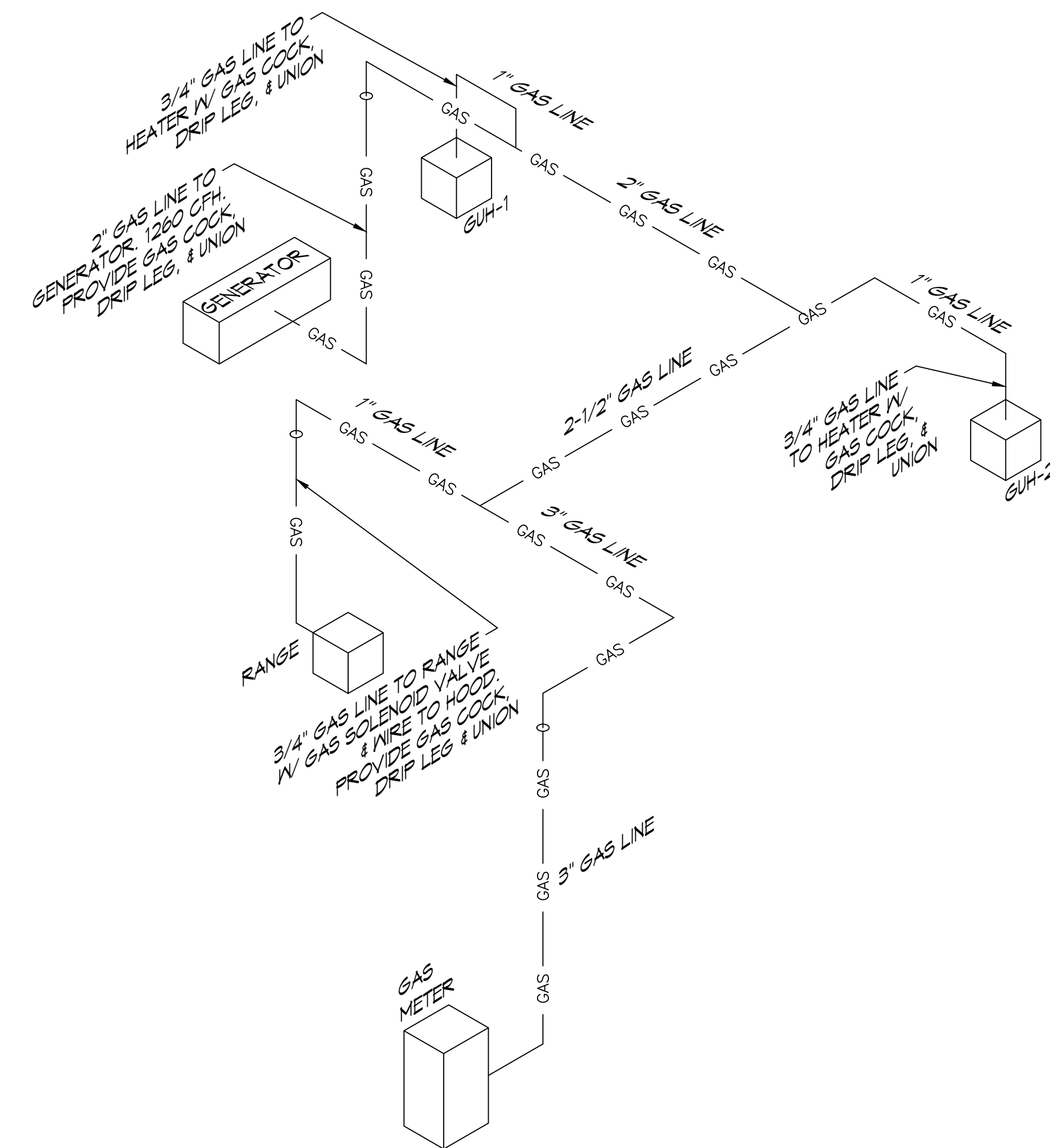
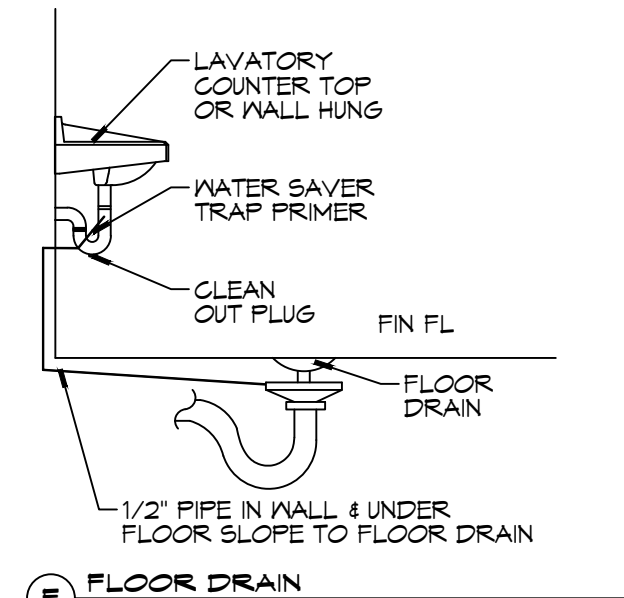
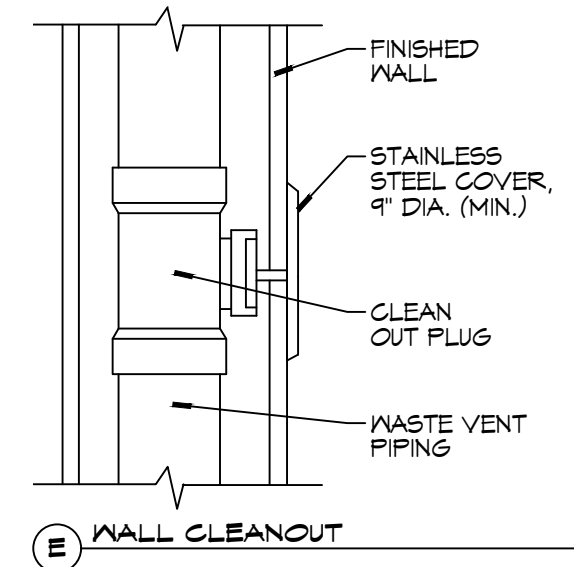
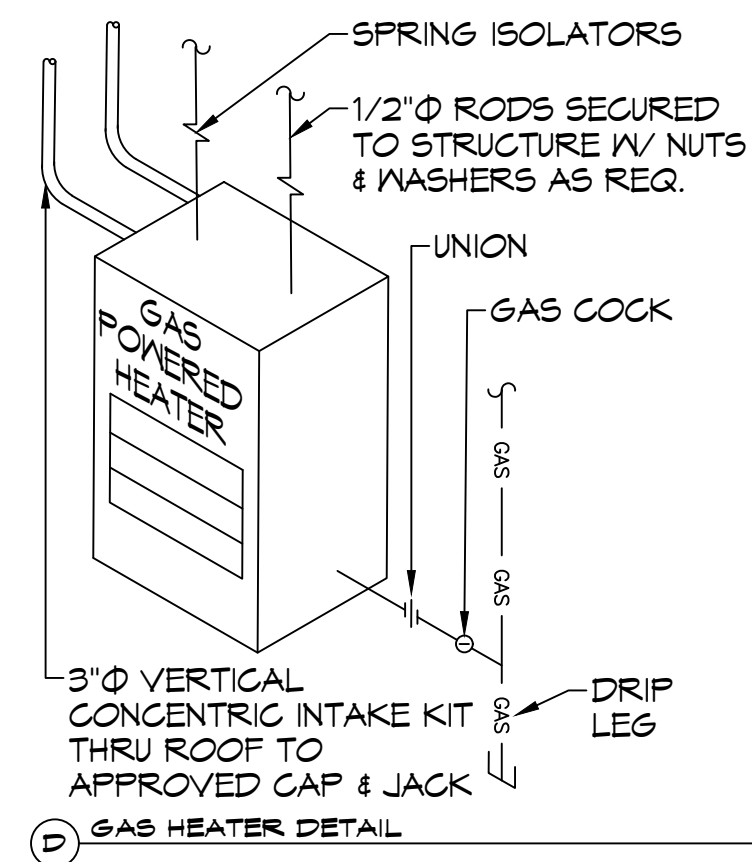
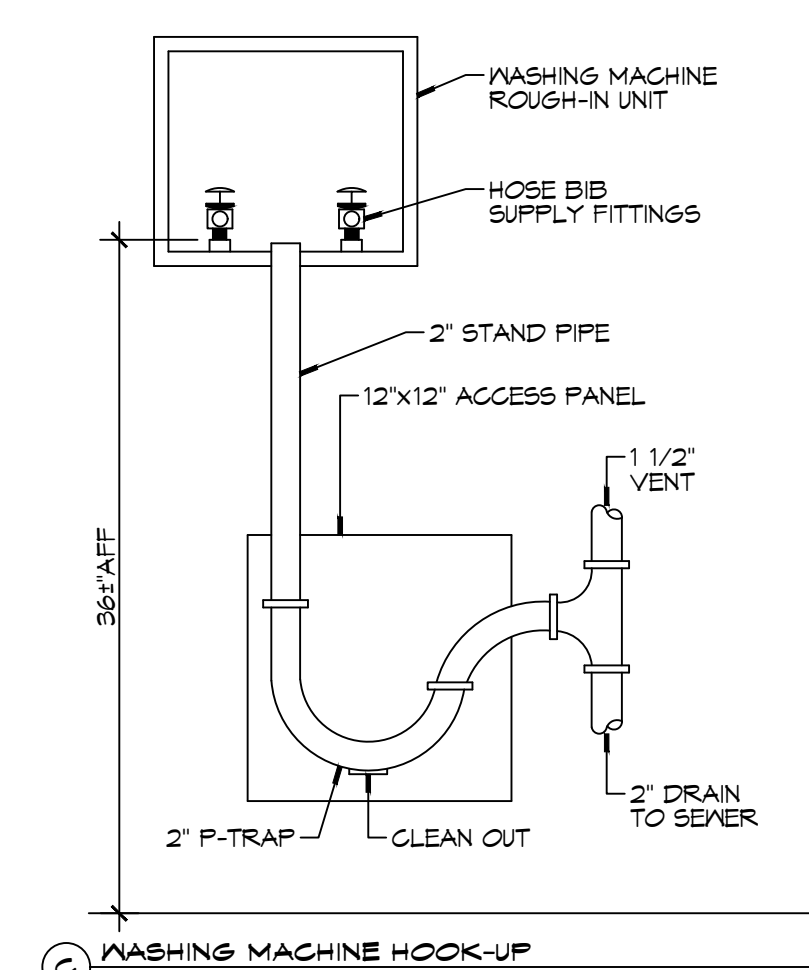
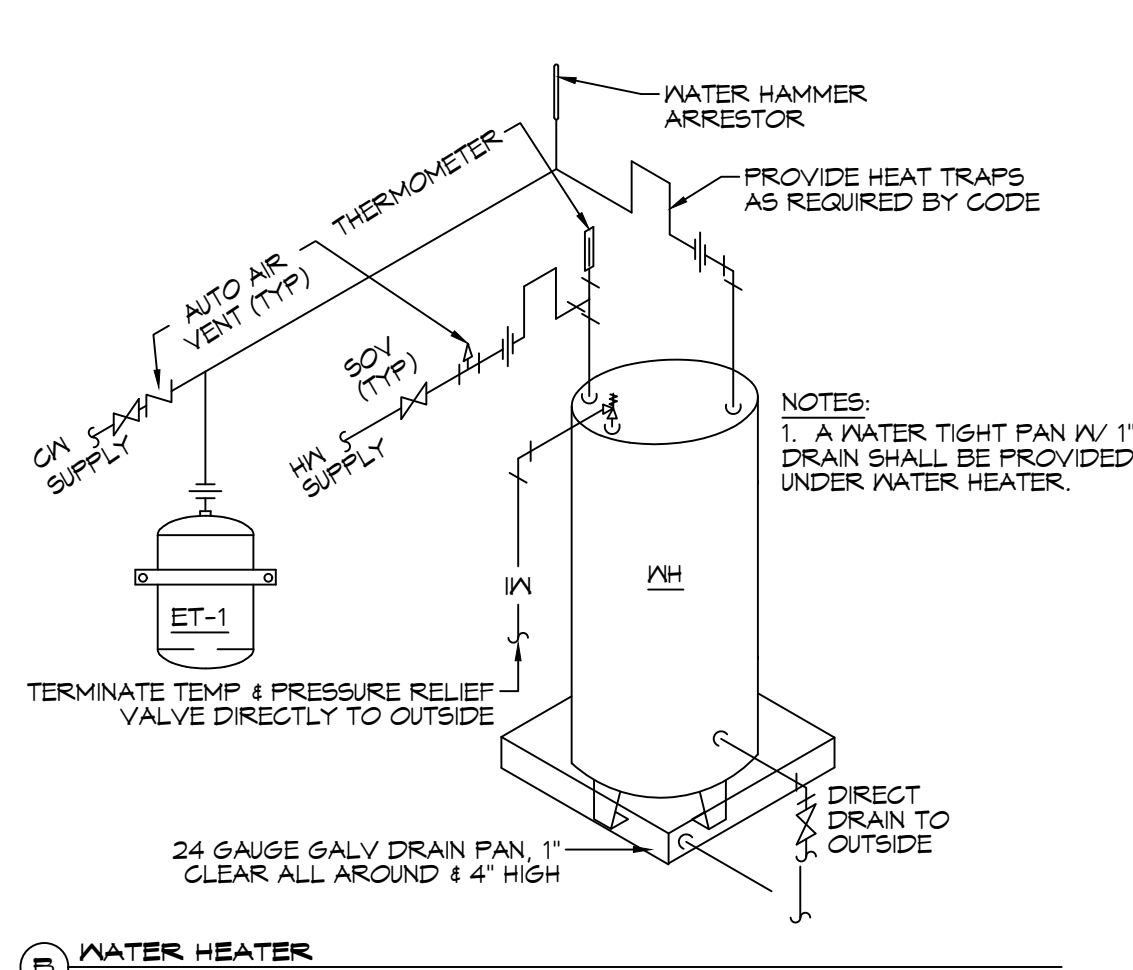
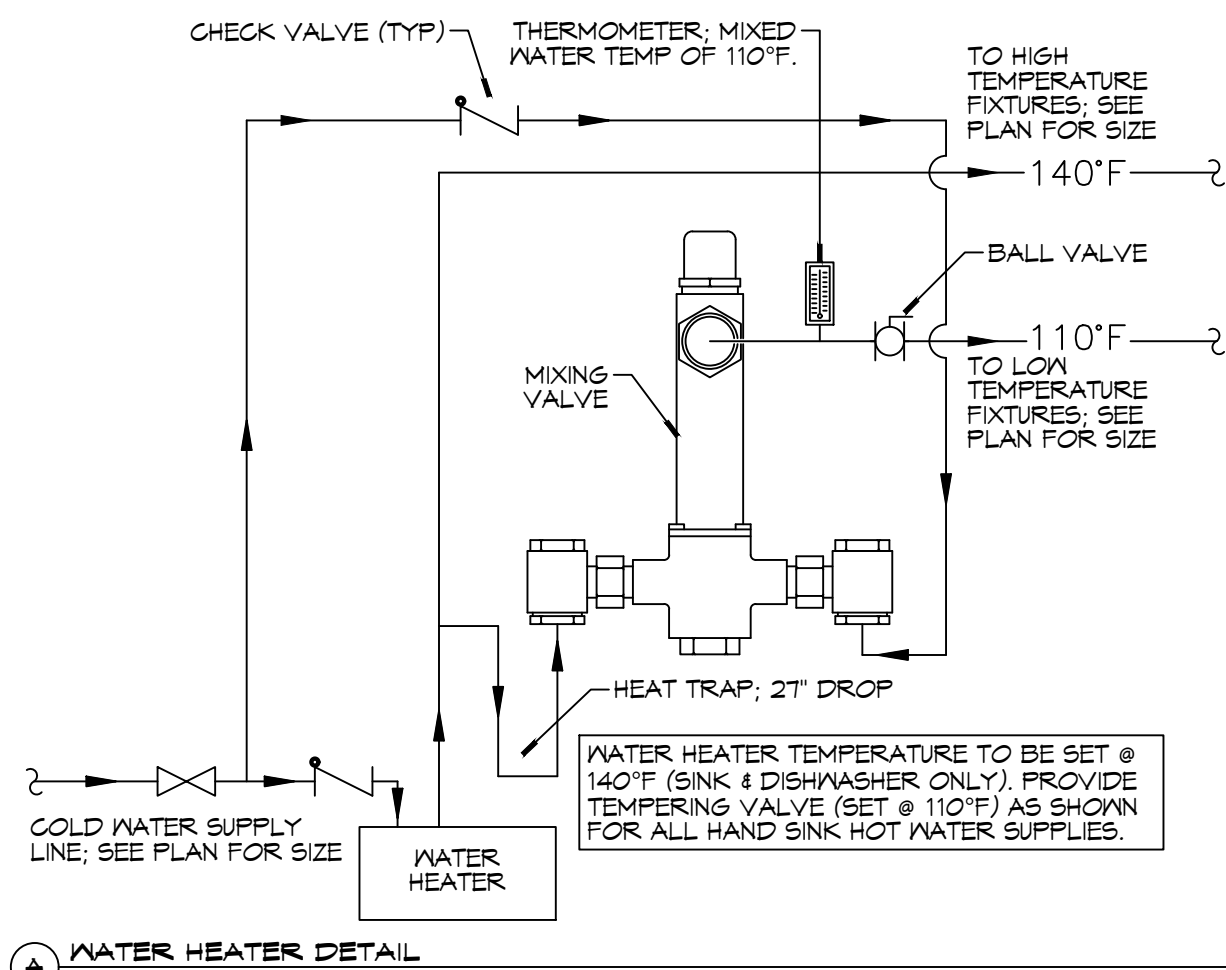


- NOTES:
 1. HEAT TRAP IS NOT REQUIRED WHERE MIXING VALVE IS INSTALLED BELOW STORAGE TANK OR WATER HEATER.
 2. SET THE MIXING VALVE TO THE SYSTEM ACCORDING TO MANUFACTURER'S INSTRUCTIONS.



40 PLUMBING DIAGRAM
SCALE: NTS

41 GAS DIAGRAM
SCALE: NTS

42 WASTE DIAGRAM
SCALE: NTS

GENERAL PLUMBING NOTES

- PLUMBING LINES SHOWN ARE DRAWN DIAGRAMATIC IN NATURE AND REPRESENT CONCEPTUAL ROUTING ONLY. CONTRACTOR IS RESPONSIBLE FOR FIELD VERIFICATION OF ALL ACTUAL CONDITIONS.
- PROVIDE ALL LABOR, MATERIAL, TRANSPORTATION, SUPERVISION, CLEAN-UP SERVICES, AND EQUIPMENT FOR A COMPLETE OPERATING SYSTEM. THE SYSTEM SHALL INCLUDE HOT AND COLD WATER PIPING, SEWER AND VENT PIPING, INSULATION, WATER HEATER, HANGERS, VALVES, SUPPORTS WITHOUT ANY RESTRICTIONS TO VOLUME, CUT AND PATCH AS REQUIRED TO INSTALL PIPES.
- ALL WORK AND MATERIAL SHALL CONFORM STRICTLY TO THE LATEST LOCAL CITY, PARISH, STATE AND NATIONAL GOVERNING CODES. MUST MEET LA STATE PLUMBING CODE 2018 REQUIREMENTS.
- CONTRACTOR IS TO FIELD VERIFY ALL EXISTING UTILITY LOCATIONS, ELEVATIONS AND SIZES PRIOR TO COMMENCING ANY WORK. CONTRACTOR SHALL PAY NECESSARY FEES FOR THE UTILITIES CONNECTIONS.
- CONTRACTOR IS RESPONSIBLE TO VERIFY THE EXISTING INVERTS AND SET NEW INVERTS OF SEWERAGE AND DRAINAGE PIPES.
- SEWERAGE LINES 3-INCH AND SMALLER SHALL BE SLOPED 1/4" PER FOOT AND LINES 4-INCH AND LARGER SHALL BE 1/8" PER FOOT.
- TEST ALL PIPING AT REQUIRED PRESSURE.
- ALL PLUMBING SHALL BE CLOSELY COORDINATED WITH STRUCTURAL, MECHANICAL SYSTEM AND ELECTRICAL SYSTEMS TO INSURE NO TRADES WILL CONFLICT WITH EACH OTHER.
- DO NOT SCALE DRAWINGS. SEE ARCHITECTURAL DRAWINGS FOR EXACT LOCATIONS OF DOORS, WINDOWS, WALLS, FIXTURES, ETC.
- ALL WATER MAINS AND PIPING NOT SHOWN FOR CLARITY, ALL LOCATIONS FIELD VERIFIED.
- DOMESTIC HOT AND COLD WATER PIPING AND FITTINGS UNDER SLAB SHALL BE ASTM B88 COPPER WATER TUBE, TYPE L, HARD DRAWN WITH COPPER PRESSURE TYPE FITTINGS, ANSI B16.22. THE JOINTS SHALL BE SOLDERED TYPE USING ASTM B32, ALLOY GRADE #8A (#8-8) SOLDER.
- SOIL, WASTE, VENT PIPING AND FITTINGS ABOVE THE SLAB SHALL BE SERVICE WEIGHT CAST IRON PIPE WITH BELL AND SPIGOT ENDS AND ONE PIECE NEOPRENE INSERT TYPE GASKET. USE PVC SCHEDULE 40 OR ABS DWV PIPES AND FITTINGS WHERE PERMITTED BY CODE.
- ALL WATER PIPING AND FITTINGS ABOVE THE FLOOR SHALL BE INSULATED WITH 1/2" THICK FIBERGLASS INSULATION AND JACKET.
- ALL ELECTRICAL, MECHANICAL AND PLUMBING ELEMENTS PENETRATING FIRE PARTITIONS SHALL BE FIRE CAULKED. (PENETRATIONS THROUGH RATED CONSTRUCTION SHALL BE SEALED WITH A MATERIAL CAPABLE OF PREVENTING THE PASSAGE OF FLAMES AND HOT GASES WHEN TESTED IN ACCORDANCE WITH ASTM-E814.)
- SEE ROOF PLAN FOR PLUMBING ROOF PENETRATIONS. ROUTE VENT PIPES IN ATTIC AS NECESSARY.
- ALL VENTS THROUGH ROOF (VTR) SHALL BE LOCATED A MINIMUM OF 10'-0" FROM ANY MECHANICAL OR NATURAL AIR INTAKE.

GAS EQUIPMENT SCHEDULE

DESCRIPTION	BTU INPUT
RANGE	106,500 @ 3.5" w.c.
GAS HEATER - 1	85,000 @ 3.5" w.c.
GAS HEATER - 2	85,000 @ 3.5" w.c.
GENERATOR	800,000
TOTAL BTU	1,076,500

- NOTES:
 1. ALL GAS PIPE SHALL BE SCHEDULE 40 BLACK STEEL PIPE. ALL PIPE INSTALLED ON ROOF SHALL BE SUPPORTED ON A PIPE RIER SUPPORT SYSTEM. WOOD BLOCKING NOT ALLOWED.
 2. ALL GAS PIPING IS SIZED FOR A LOW PRESSURE SYSTEM. (< 2 psig OR LESS AND A PRESSURE DROP OF 0.5in. OF WATER COLUMN.)

PLUMBING FIXTURE SCHEDULE

MARK	DESCRIPTION	TYPE	ROUGH-IN-SIZES	NOTES
W.C.	H.C. WATER CLOSET	VALVE	4" 4" 1"	3
LAV.	H.C. LAVATORY	WALL HUNG	2" 2" 1/2" 1/2"	1, 2, 3
F.D.	FLOOR DRAIN	-	2" 2" -	4
W.H.	WATER HEATER	-	3/4" 2" 1/2" 1/2"	
WASH	WASHING MACH. DRN	-	2" 2" 1/2" 1/2"	
SINK	KITCHEN SINK DRN.	-	2" 2" 1/2" 1/2"	
A/C	AIR HANDLER DRAIN	-	3/4" 2" -	

- NOTE: ALL PLUMBING LINES ARE SHOWN DIAGRAMATIC.
 FIXTURE NOTES:
 1. PROVIDE CHAIR CARRIER FOR WALL HUNG FIXTURES.
 2. INSTALL CONTINUOUS DRIP VALVE ON ALL FLOOR DRAINS.
 3. FIXTURES SELECTED BY OWNER.

DAMMON ENGINEERING, INC.
 LOUISIANA & MISSISSIPPI
 Chief Engineer: Brian Michich, PE
 554 Old Spanish Trail
 Slidell, LA 70458
 www.dammonengineering.com
 info@dammonengineering.com
 PH: 985.649.8832

DATE	REVISIONS
	# DESCRIPTION

SEAL:

 BRIGGS A. MICHICH
 LICENSE NO. 30187
 PROFESSIONAL ENGINEER

ST. TAMMANY FIRE PROTECTION DISTRICT NO. 1
FIRE STATION 19
 57047 ALLEN ROAD
 SLIDELL, LOUISIANA 70461
 JOB No: 2456
 DATE: 05-16-2022
 DRAWN BY: JMS
 CHECKED BY: KCD
 SHEET TITLE:
 PLUMBING DETAILS AND NOTES
 DRAWING NUMBER:
P102
 SHEET No: 24 of 30