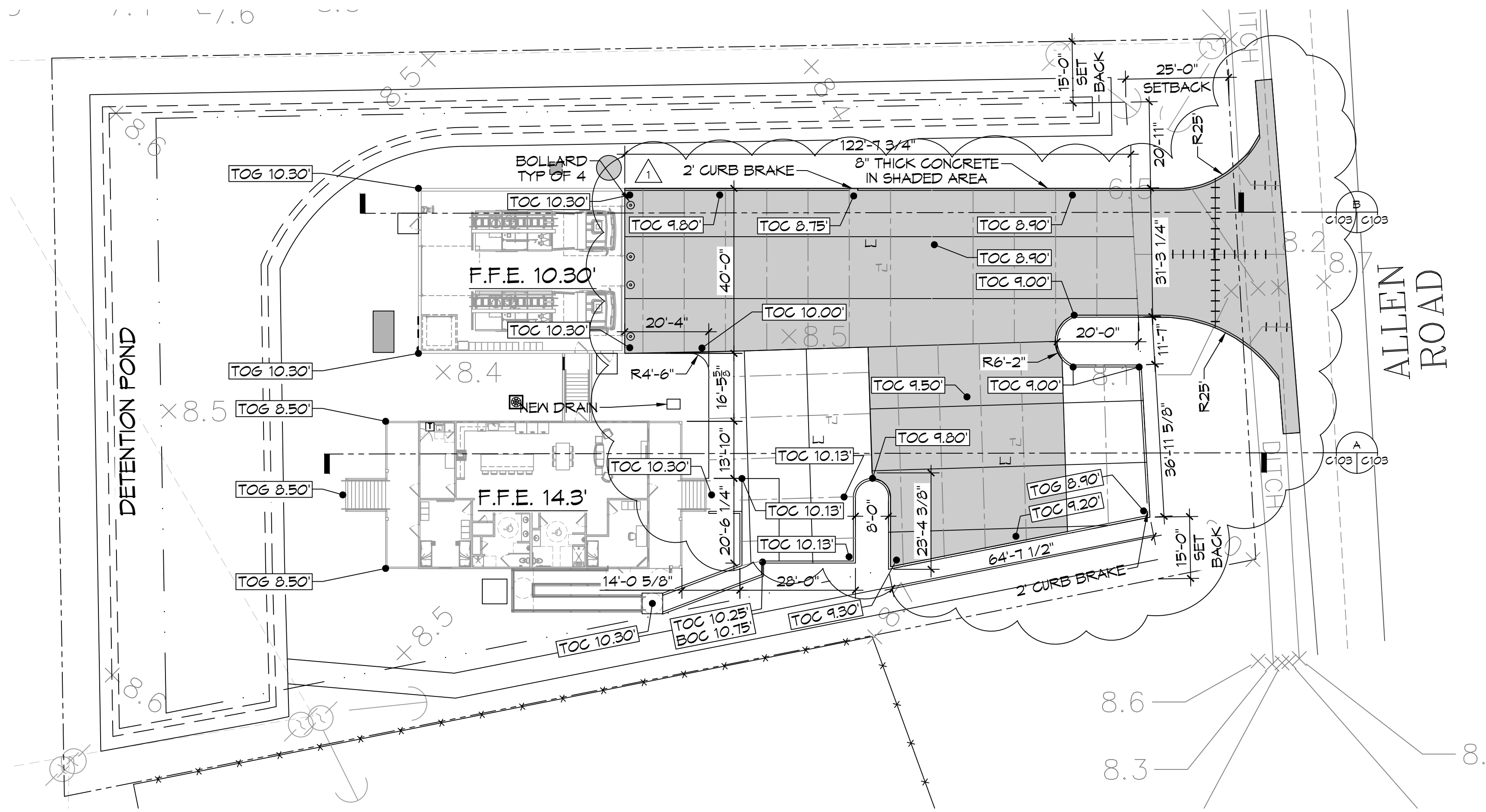
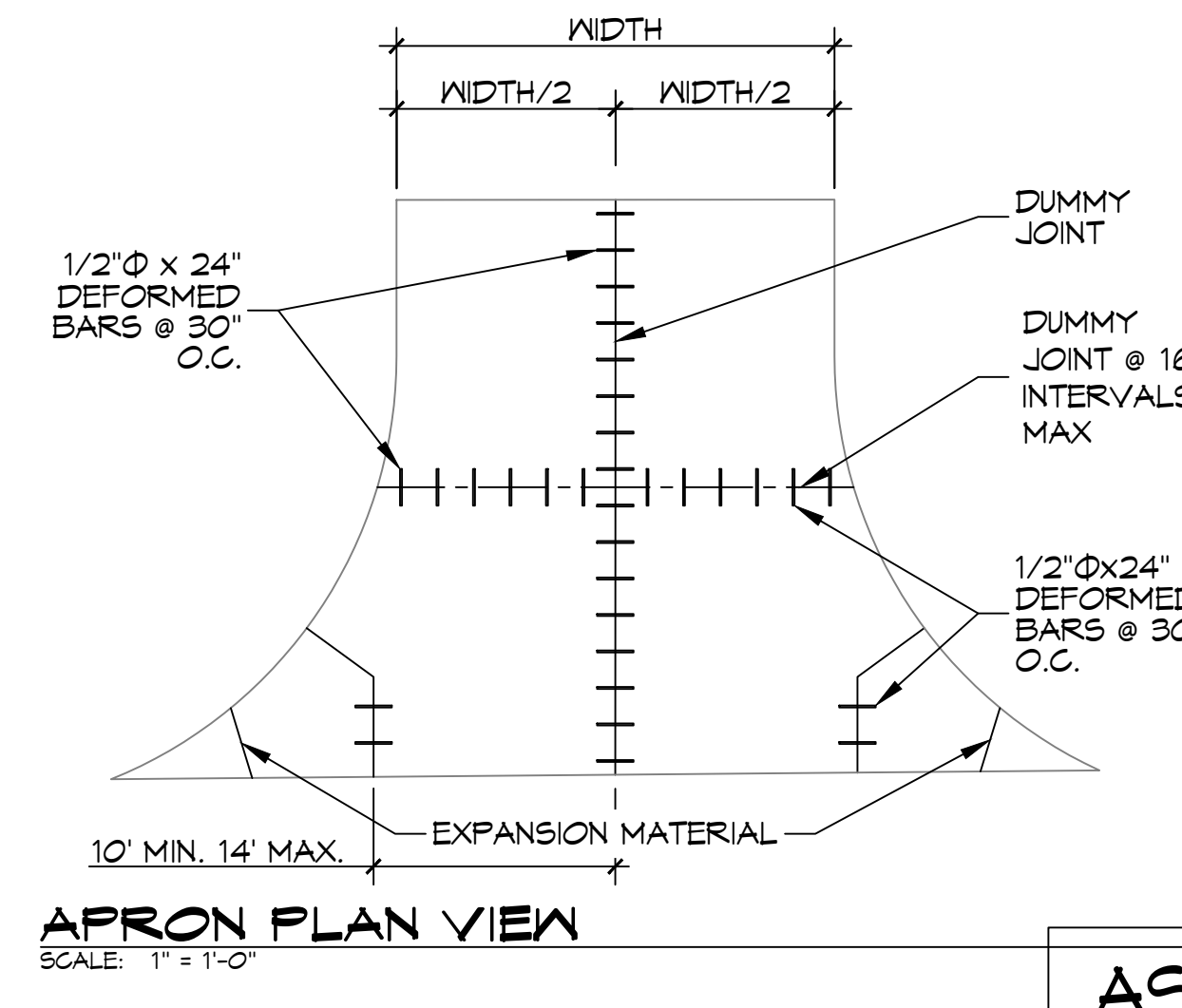
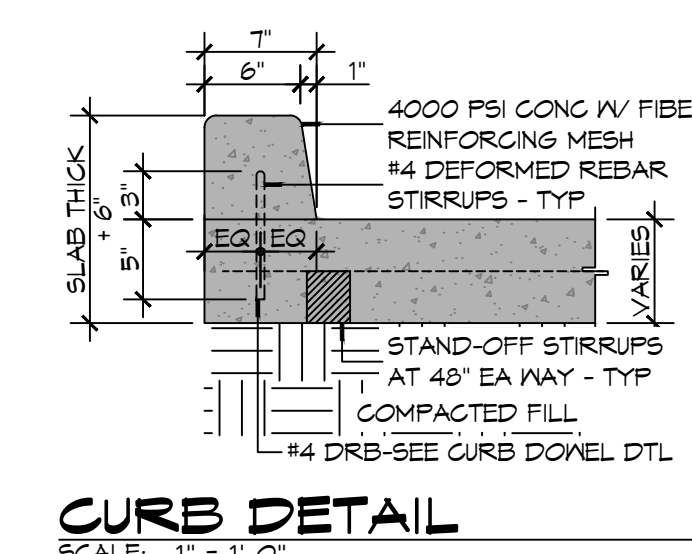
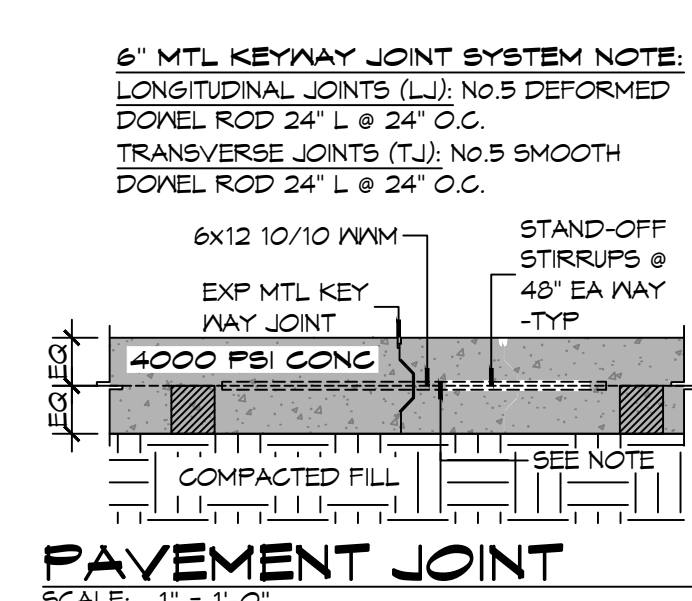
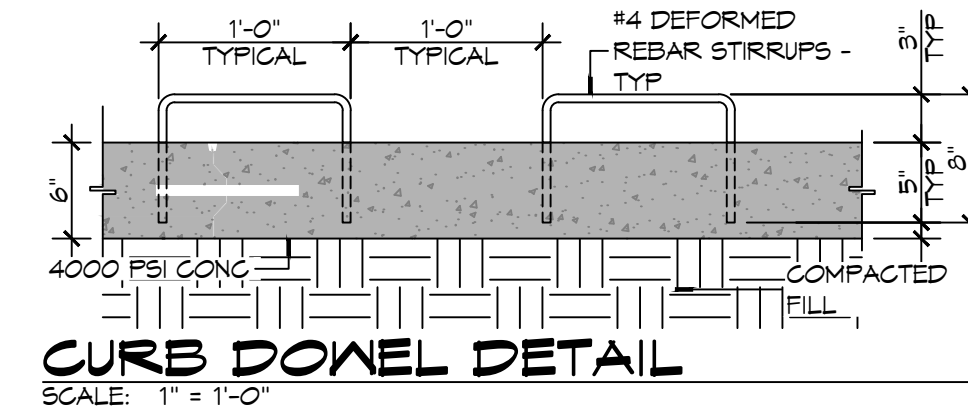
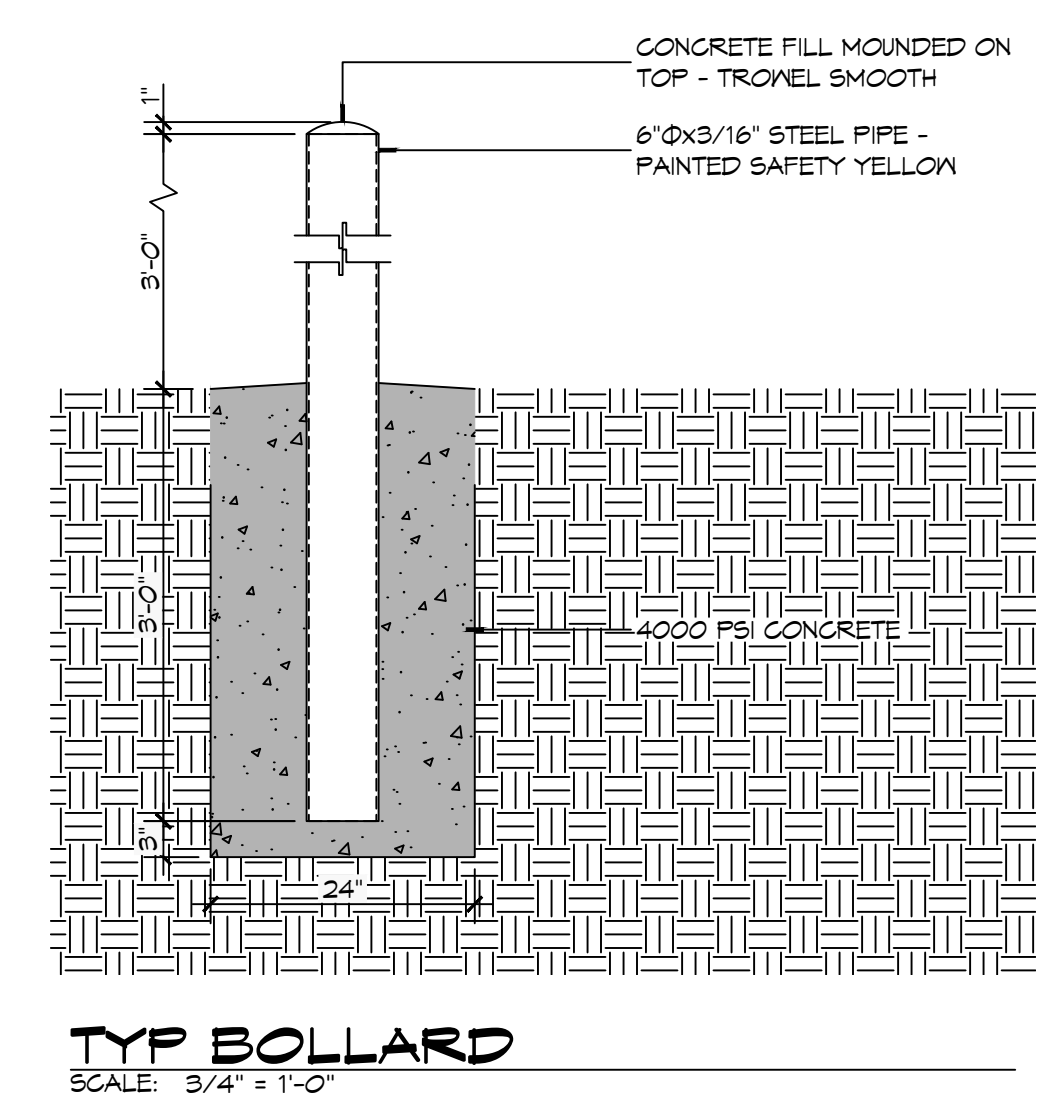
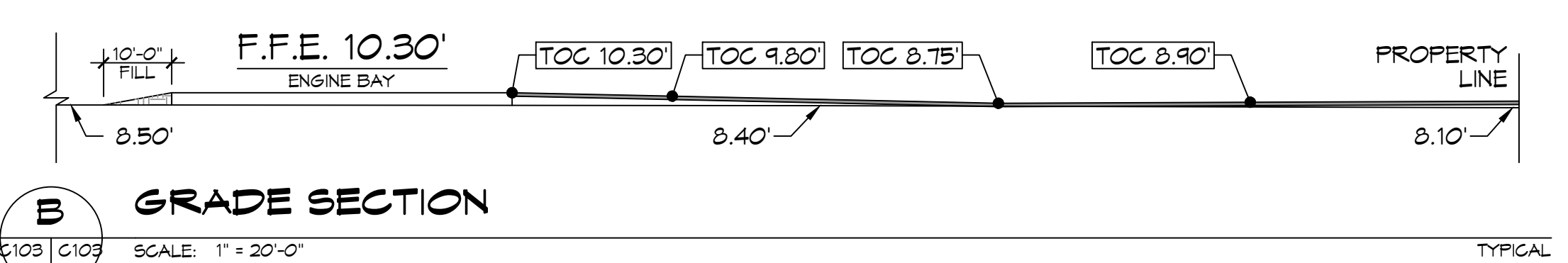
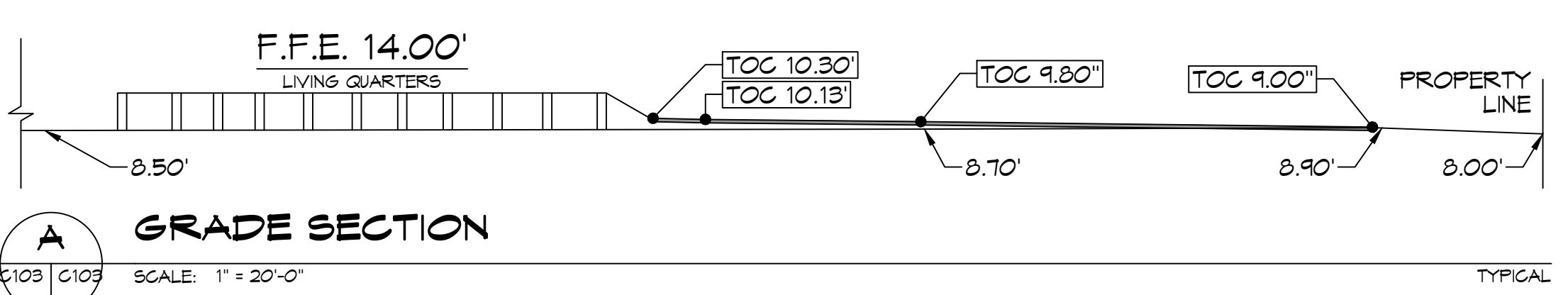


FILE NAME: J:\Projects\2024\240000\240000.dwg DATE: 01/14/24
 PLOT DATE: 01/14/24
 PLOT SCALE: 1"=20'-0"
 PLOT SHEET: 1 OF 3
 PLOT AREA: 11.0



8 PAVING PLAN
SCALE: 1" = 20'-0"



GENERAL PAVING NOTES

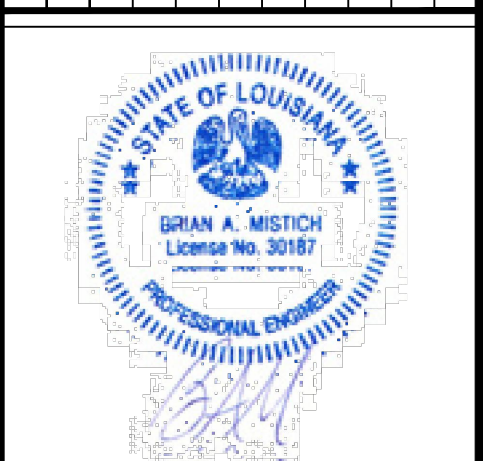
- ALL NEW CONCRETE SHALL HAVE A MINIMUM COMPRESSIVE STRENGTH OF 4,000 PSI AT 28 DAYS AND A MINIMUM THICKNESS OF 6". CONCRETE MIX SHALL BE IN ACCORDANCE WITH THE LATEST REVISION OF ASTM C-150 TYPE 1.
- CONCRETE PAVING THICKNESS SHALL VARY AS FOLLOWS:
 - APRON & DRIVE LANES = 8" THICKNESS (STANDARD UNO)
 - PARKING AREAS = 6" THICKNESS (STANDARD UNO)
- ALL REINFORCING STEEL SHALL MEET ASTM-A615 (GRADE 60).
- ALL REINFORCING STEEL SHALL BE SECURELY SUPPORTED TO PREVENT BOTH VERTICAL AND HORIZONTAL MOVEMENT DURING CONCRETE PLACEMENT. ALL CONTROL AND EXPANSION JOINTS SHALL BE LOCATED AND INSTALLED AS SHOWN ON THE PAVING PLAN AND IN ACCORDANCE WITH THE MANUFACTURER'S RECOMMENDATIONS.
- MUCK OUT AND FILL 24" MINIMUM. SEE THE GEOTECHNICAL ENGINEERING REPORT BY STRATUM ENGINEERING DATED APRIL 23, 2022.
- ANY WORK WITHIN THE ROADWAY OR ADJACENT TO THE ROADWAY CAUSING AN INTERFERENCE TO VEHICULAR TRAFFIC MUST CONFORM TO THE REQUIREMENTS SET FORTH BY THE UNIFORM MANUAL OF TRAFFIC CONTROL DEVICES OF THE STATE OF LOUISIANA. THE CONTRACTOR MUST FURNISH ALL NECESSARY TRAFFIC SIGNS AND/OR BARRICADES AND MAINTAIN THEM DURING CONSTRUCTION ACTIVITY.

PAVING LEGEND

- LJ LONGITUDINAL JOINTS - NO. 5 DEFORMED DOVEL RODS 24" LONG @ 24" O. C.
- TJ TRANSVERSE JOINTS (TJ) - NO. 5 SMOOTH DOVEL RODS 24" LONG @ 24" O. C.
- TOG TOP OF CONCRETE
- BOC BOTTOM OF CONCRETE
- TOG TOP OF GRADE
- PROPERTY LINE
- PROPERTY SETBACK

DAMMON ENGINEERING, INC.
 LOUISIANA & MISSISSIPPI
 Chief Engineer: Brian A. Mistich, PE
 554 Old Spanish Trail
 Slidell, LA 70468
 www.dammonengineering.com
 info@dammonengineering.com
 PH: 985.649.5832

#	DESCRIPTION	DATE
1	REVISED TOPO AND OUTLINED 8" THICK CONG.	07-14-23



ST. TAMMANY FIRE PROTECTION DISTRICT No. 1
FIRE STATION 19
 57047 ALLEN ROAD
 SLIDELL, LOUISIANA 70461
 JOB No: 2456 DATE: 05-16-2022
 DRAWN BY: C-KD CHECKED BY: BAW

SHEET TITLE:
PAVING PLAN

DRAWING NUMBER:
C103

AS-BUILT
1-31-24

SHEET No: 5 of 30