

February 23, 2017

These drawings are the property of DOMAIN ARCHITECTURE APAC and GREENLEAF ARCHITECTS and are not to be reproduced in whole or in part. They are only to be used for the project and site specifically identified herein. Scale stated hereon are valid on the original drawings only. Contractor shall verify all dimensions and conditions shown and report to the architect any errors, inconsistencies, or omissions discovered. These plans were prepared in this office under our personal supervision, and to the best of our knowledge comply with state and local codes. We will generally administer construction.

St. Tammany Fire Protection District No.1  
**NEW FIRE STATION & HEADQUARTERS BUILDING**  
522 Robert Blvd. Slidell, LA, 70458

mep engineer:  
CRUMB ENGINEERING LLC  
4609 FAIRFIELD STREET  
METAIRIE, LA 70006  
504.455.4450

landscape, civil, and structural engineer:  
KYIF ASSOCIATES II, C  
638 VILLAGE LANE NORTH  
MANDEVILLE, LA 70471  
985.727.9377

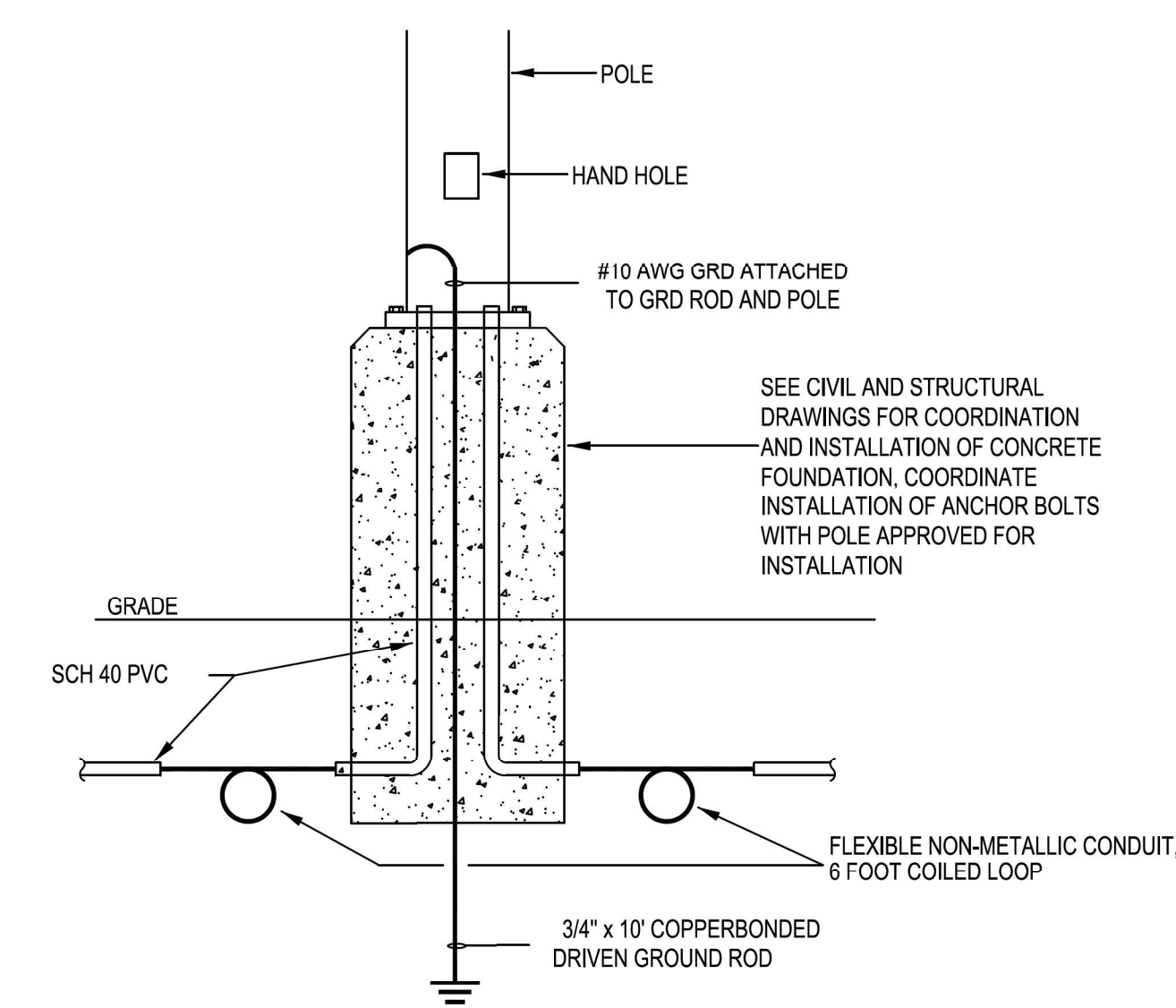
revisions		
No.	Description	Date

PROJ. # - C16-0058

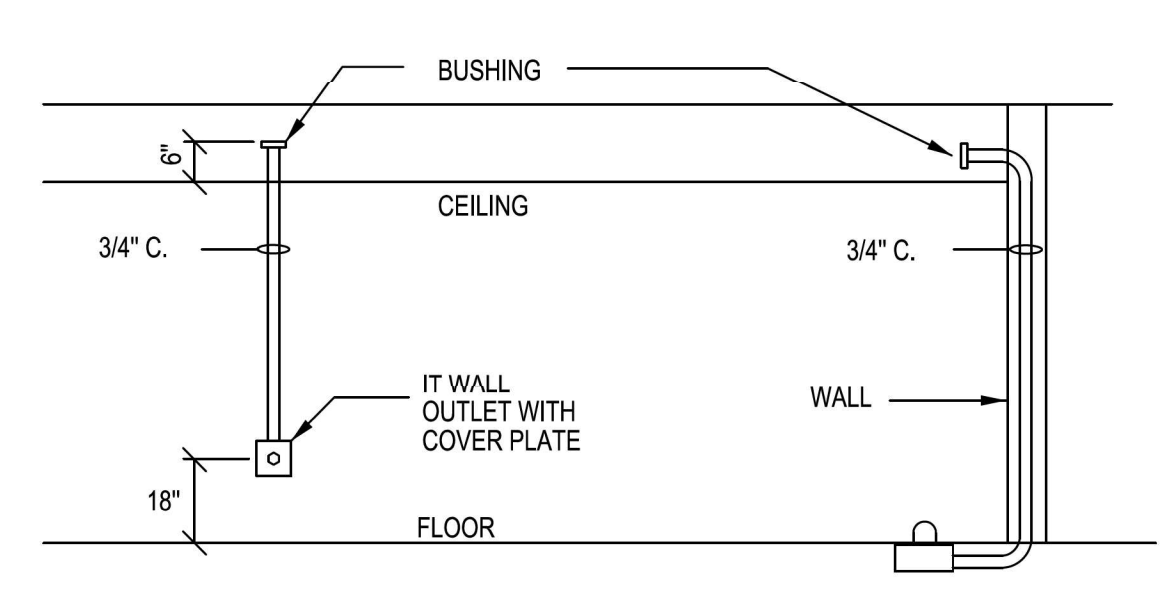
date  
February 23, 2017

sheet

ELECTRICAL/TELECOM		LEGEND	
SYMBOL	DESCRIPTION	SYMBOL	DESCRIPTION
⊕	SINGLE POLE SWITCH	⊕	DUPLEX RECEPTACLE MTD. 18" ABOVE FLOOR
⊕	THREE WAY SWITCH	⊕	DUPLEX RECEPTACLE MTD. ABOVE WORK SURFACE
⊕WP	WEATHERPROOF TOGGLE SWITCH	⊕WP	DUPLEX RECEPTACLE, WEATHERPROOF
⊕	DIMMER SWITCH	⊕	FLOOR OUTLET
⊕F	CEILING FAN SWITCH	⊕	CEILING OUTLET
⊕OC	OCCUPANCY SENSOR SWITCH	⊕	SPECIAL OUTLET
⊕	TIMER SWITCH	⊕GFI	DUPLEX RECEPTACLE WIGROUND FAULT INTERRUPTER
⊕	HOME RUN TO PANEL	⊕	QUADRAPLEX RECEPTACLE MTD. 18" ABOVE FLOOR
⊕	CONCEALED WIRING	▽	DATA/CABLE OUTLET (WALL)
⊕	DISCONNECT SWITCH W/VISIBLE BLADES	▽	TELEPHONE OUTLET (WALL)
⊕	ELECTRIC MOTOR W/APPROVED DISCONNECT SWITCH	▽	TELEPHONE OUTLET (FLOOR)
⊕	JUNCTION BOX	▽	TELEPHONE/DATA OUTLET (WALL)
⊕P	PILOT LIGHT SWITCH	⊕USD	RECEPTACLE WITH USB CHARGER
	LETTER DENOTES FIXTURE CONTROL		
	CROSS LINES DENOTE NUMBER OF CONDUCTORS WHEN MORE THAN TWO		

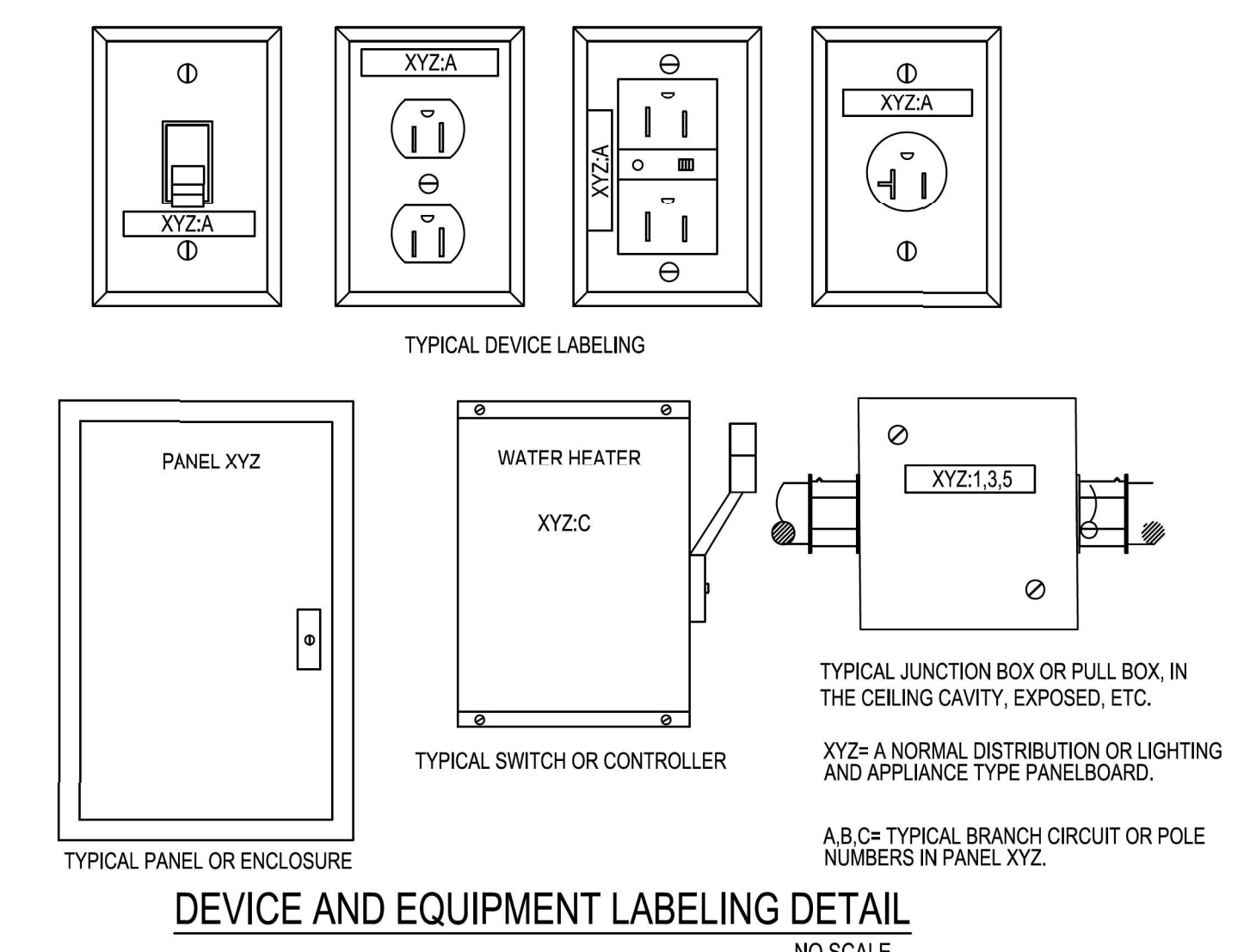


LIGHTING POLE FOUNDATION DETAIL  
NO SCALE

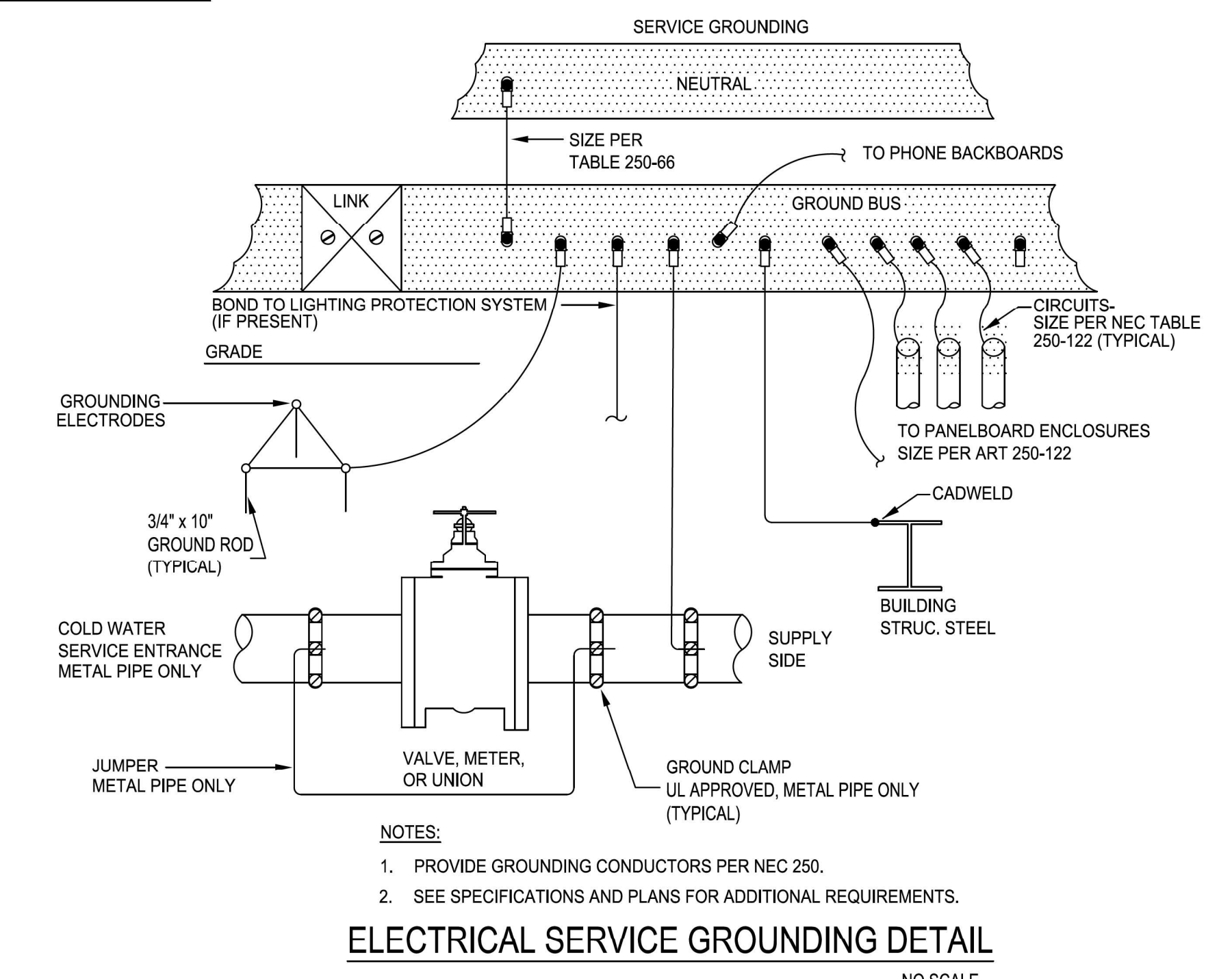


TELEPHONE OUTLET DETAIL  
NO SCALE

FIRE ALARM LEGEND	
SYMBOL	DESCRIPTION
⊕	MANUAL PULL STATION, MOUNT 48" A.F.F.
⊕	STROBE, MOUNT 80" A.F.F.
⊕	SPFAKFR/STROBE, MOUNT 80" A.F.F.
⊕	HEAT DETECTOR
⊕	SMOKE DETECTOR
⊕	SPEAKER
⊕ OR ⊕	CONTROL MODULE
⊕	DUCT DETECTOR
⊕	RELAY
⊕	HORN/STROBE
⊕	FIRE ALARM CONTROL PANEL
⊕	REMOTE ANNUCIATOR
⊕	MONITOR MODULE
⊕	GENERATOR REMOTE ANNUCIATOR
⊕	WATERFLOW SWITCH
⊕	TAMPER SWITCH
⊕	ELECTROMAGNETIC DOOR HOLD



DEVICE AND EQUIPMENT LABELING DETAIL  
NO SCALE



ELECTRICAL SERVICE GROUNDING DETAIL  
NO SCALE

REVIEWED FOR  
STATE FIRE MARSHAL  
AS PER REVIEW LETTER  
BY: WILLIAM D. JONES, ARCHITECT, CBO

*William D. Jones*