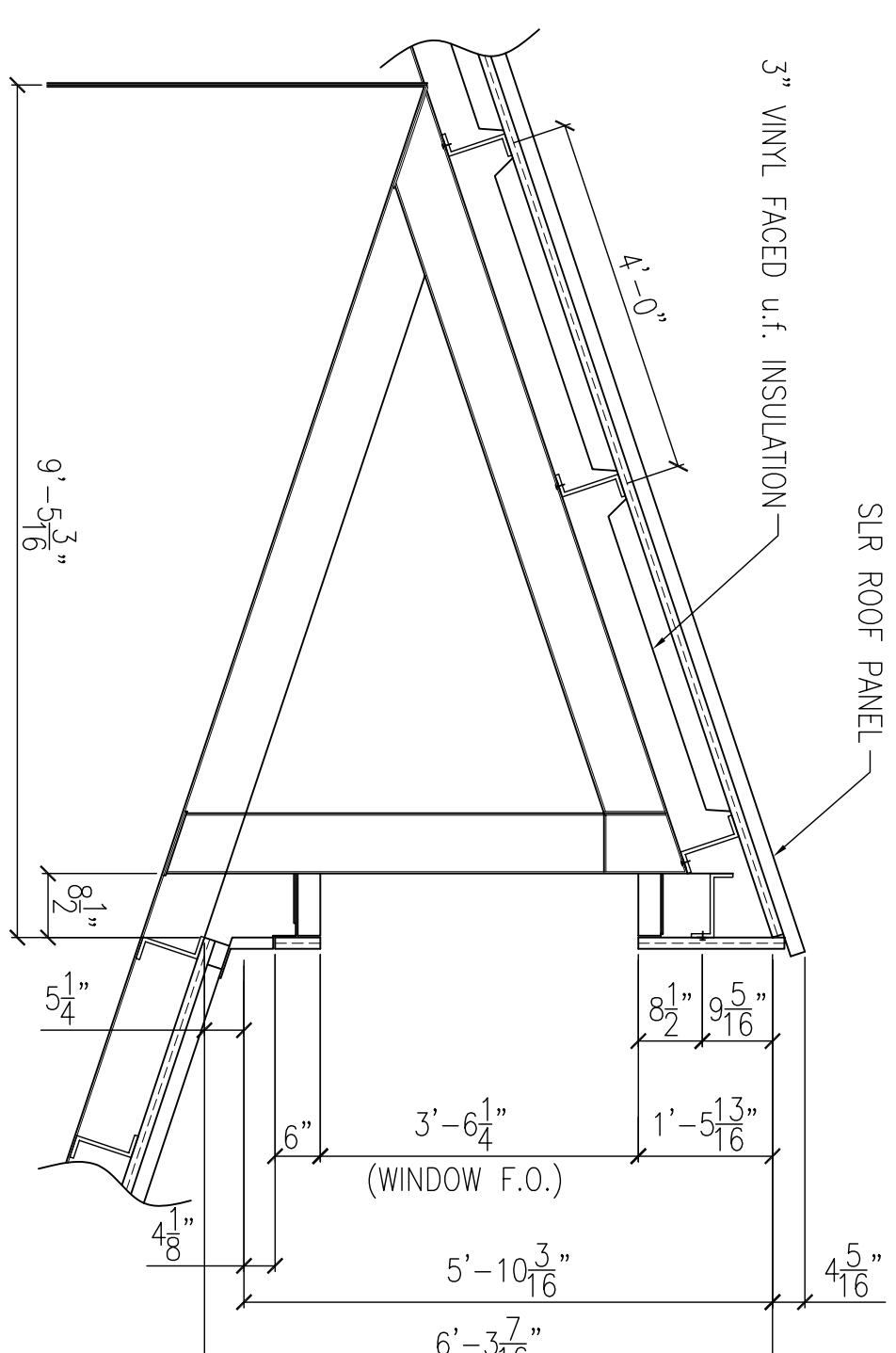
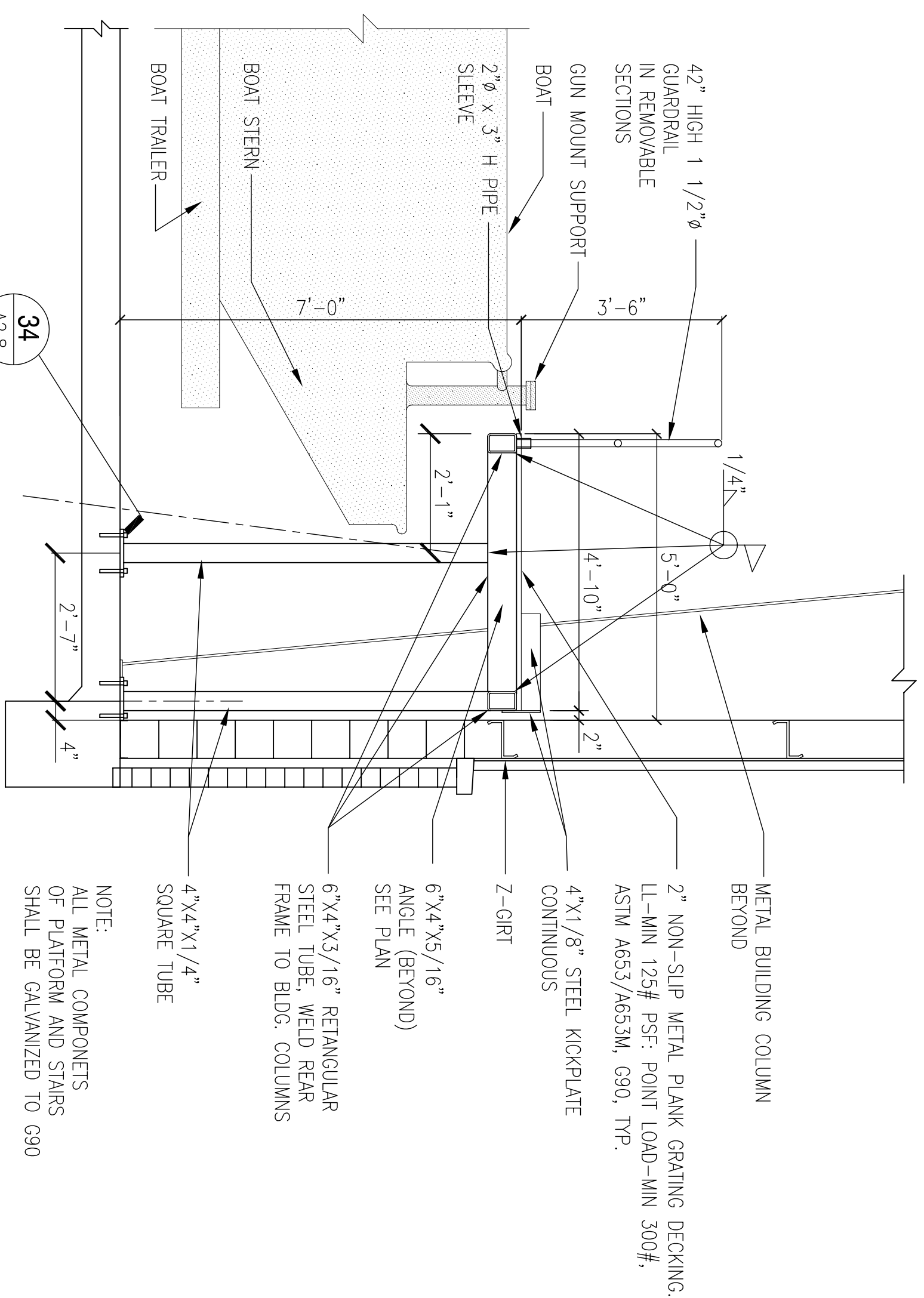


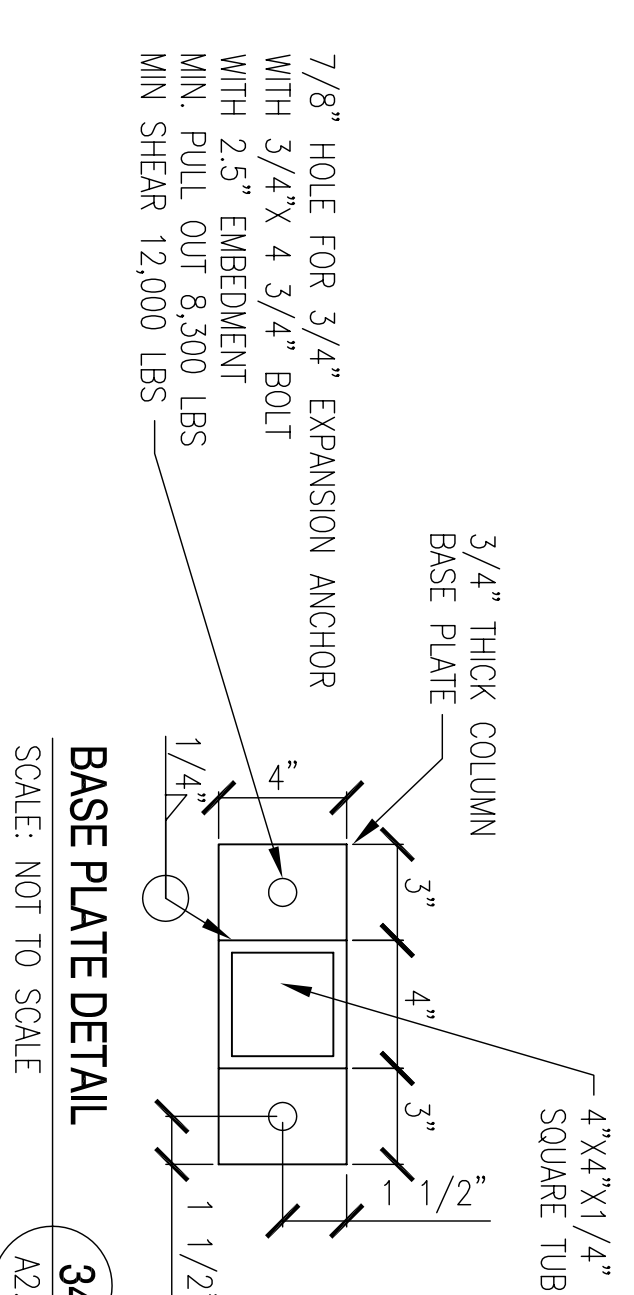
SECTION AT CATWALK STAIRS  
SCALE: 1/2" = 1'-0"  
G S2.2



SECTION AT CLERESTORY  
SCALE: 1/2" = 1'-0"  
H A2.2



DETAIL AT CATWALK  
SCALE: 1/2" = 1'-0"  
33 S2.2



BASE PLATE DETAIL  
SCALE: NOT TO SCALE  
34 A2.7

NOTE:  
ALL METAL COMPONENTS  
OF PLATFORM AND STAIRS  
SHALL BE GALVANIZED TO G90

REVDATE:

A

B

C

D

1

2

3

4

5

1

2

3

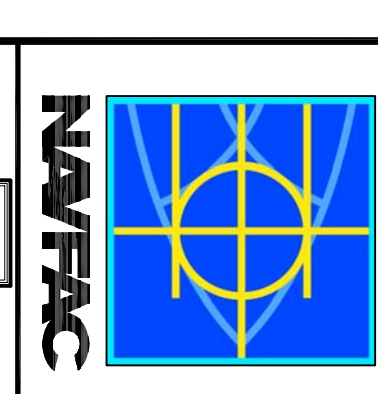
4

5

DEPARTMENT OF THE NAVY NAVAL FACILITIES ENGINEERING COMMAND SOUTHEAST NAVAL AIR STATION JACKSONVILLE IPT SOUTH ATLANTIC	NAVAL FACILITIES ENGINEERING COMMAND MISSISSIPPI SOF RIVERINE AND COMBATANT CRAFT OPERATIONS FACILITY - PRE-FINAL BLDG. 2442 BLDG. DETAILS
JOHN C. STENNIS SPACE CENTER	
CODE ID NO. N4412	SIZE 0
SCALE: AS SHOWN	
MAKNO NO. P-210	
STA PROJ. NO. 510247	
WORK ORDER NO. N62467-05-0-0096	
CONSTR. CONTR. NO. #####-##-####	
NAVFAC DRAWING NO. #####-##-####	
SHEET 01 OF 117	

DESIGNED BY: R. WILISE	DRAWN BY: J. MIFANAY
CHECKED BY: T. ARBIB	
IN CHARGE: P. DAMMON	

<b>DAMMON</b> ENGINEERING, INC. 1000 PINEAPPLE CHAMP DAMMON, P. O. BOX 4450 SUITE 1100 MOBILE, LA 36688 (985) 649-8312 www.dammon.com	<b>EMMETT B. DAMMON, JR.</b> REGISTERED PROFESSIONAL ENGINEER NO. 9852 STATE OF MISSISSIPPI
--	--



SYM	DESCRIPTION	DATE	APPR