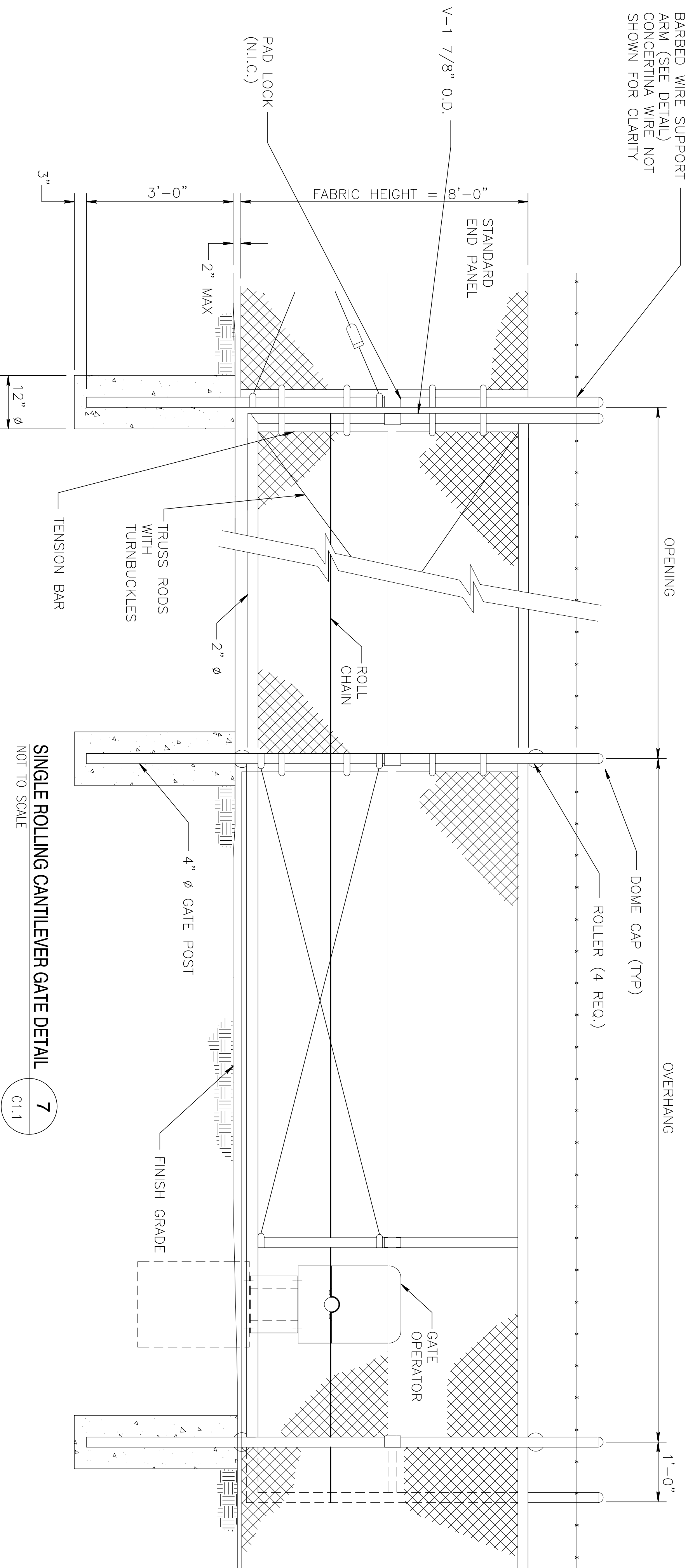


BARBED WIRE SUPPORT ARM (SEE DETAIL) CONCERTINA WIRE NOT SHOWN FOR CLARITY

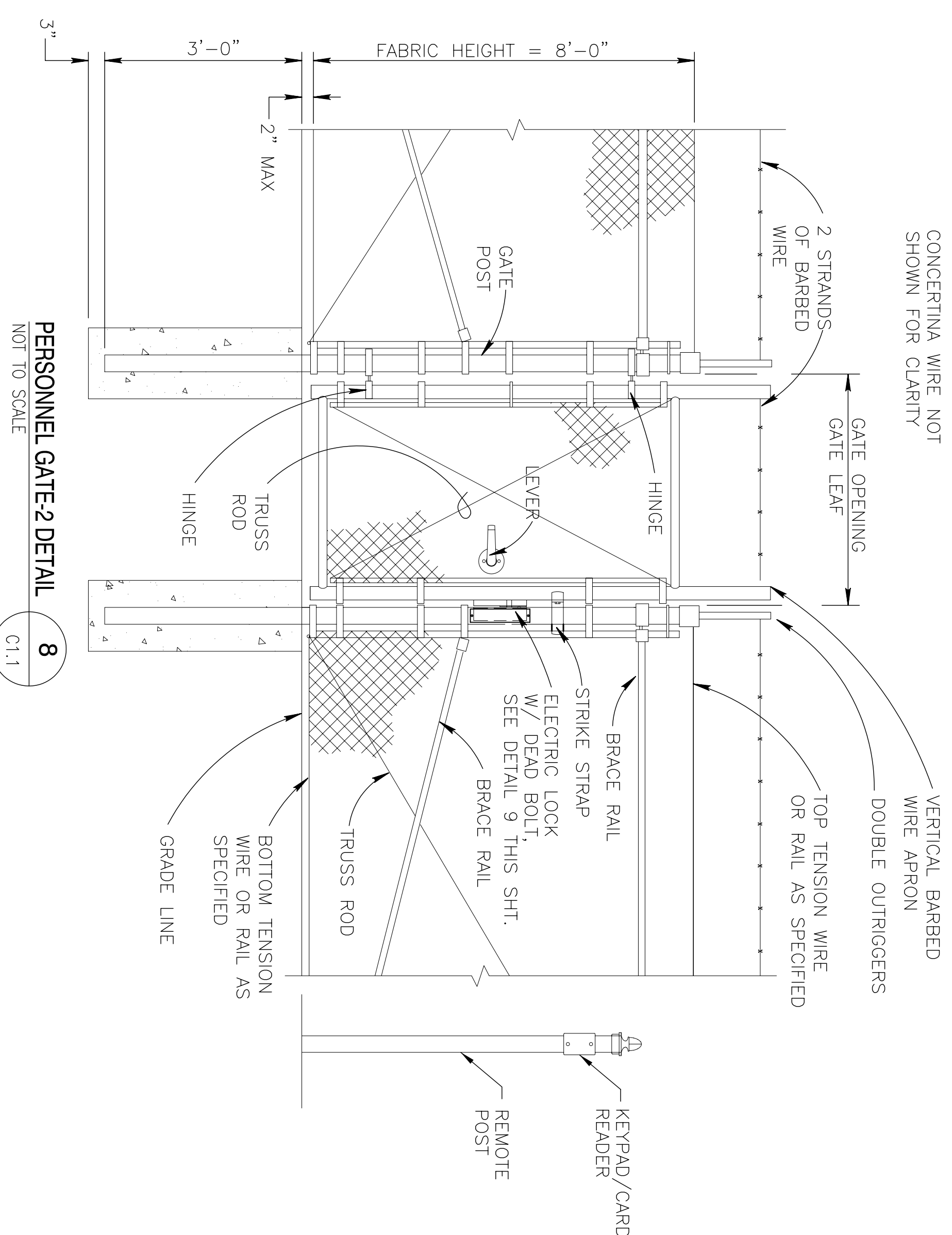


7 SINGLE ROLLING CANTILEVER GATE DETAIL
NOT TO SCALE
C1.1

FENCING NOTES

1. A BOTTOM RAIL. IT SHALL BE INSTALLED APPROX. 3" ABOVE GRADE (A MINIMUM OF 2" AND A MAXIMUM OF 4"). ATTACH FABRIC TO BOTTOM RAIL TO ELIMINATE POSSIBILITY OF PEELING UP FABRIC.
2. SECURE ALL FASTENING HARDWARE BY PEENING OR WELDING AS SPECIFIED.
3. PROVIDE POLYVINYL CHLORIDE (PVC) COATING OVER ZINC-COATED STEEL FENCE COMPONENTS IN ACCORDANCE WITH FS RR-F-191/1, TYPE IV FOR FENCING SYSTEMS. PVC COATING SHALL BE GREEN IN COLOR AND A MINIMUM OF 0.10 INCH IN THICKNESS.
4. GROUND FENCE ON EITHER SIDE OF EVERY GATE AND AT OTHER LOCATIONS AS SPECIFIED.
5. PROVIDE DOUBLE SWING GALVANIZED GATE NOMINAL 12" WIDE BY 6' HIGH WITH PADLOCK GATE LATCH AND PRIVACY SLATS.

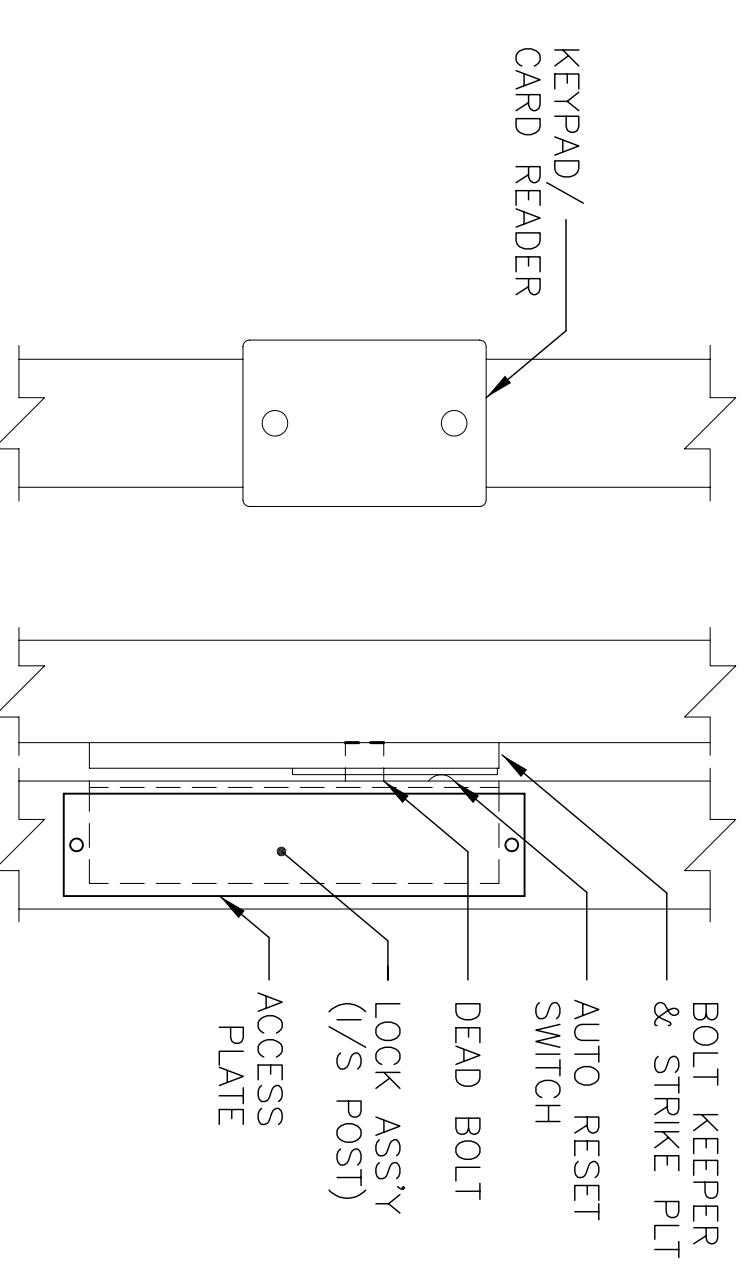
CONCERTINA WIRE NOT SHOWN FOR CLARITY



8 PERSONNEL GATE-2 DETAIL
NOT TO SCALE
C1.1

GATE LATCH DETAIL

9 GATE LATCH DETAIL
NOT TO SCALE
C1.5



REVDATE: _____

A

B

C

D

A

B

C

D

DEPARTMENT OF THE NAVY NAVAL FACILITIES ENGINEERING COMMAND SOUTHEAST NAVAL AIR STATION JACKSONVILLE JOHN C. STENNIS SPACE CENTER MISSISSIPPI SOF RIVERINE AND COMBATANT CRAFT OPERATIONS FACILITY - PRE-FINAL SITE CIVIL DETAILS			DAMMON ENGINEERING, INC. CHEF/REGISTERED PROFESSIONAL ENGINEER CHEF/REGISTERED PROFESSIONAL ARCHITECT DAMMON, P. O. BOX 44528 SUITE 100, LA 70002 (985) 649-4332 MAY 10, 2008		<table border="1"> <thead> <tr> <th>SYM</th> <th>DESCRIPTION</th> <th>DATE</th> <th>APPR</th> </tr> </thead> <tbody> <tr> <td> </td> <td> </td> <td> </td> <td> </td> </tr> <tr> <td> </td> <td> </td> <td> </td> <td> </td> </tr> <tr> <td> </td> <td> </td> <td> </td> <td> </td> </tr> </tbody> </table>	SYM	DESCRIPTION	DATE	APPR												
SYM	DESCRIPTION	DATE	APPR																		

DES. R. WATSE	DRW. J. LOONIE
REVIEWED BY: R. WATSE	
FW/PLN. T. JARRIS	
CHEF ENGINEER: P. DAMMON	
CODE ID. NO. N4412	SIZE: D
SCALE: AS SHOWN	
DRAWING NO. #####	
S/A PROJ. NO. P-210	
WORK ORDER NO. 510247	
CONSTR. CONTR. NO. N62467-05-0-0096	
NAVFAC DRAWING NO. #####	
DATE: 11/07/11	OR: 11/7

C15

DATE: 01 JAN 2009