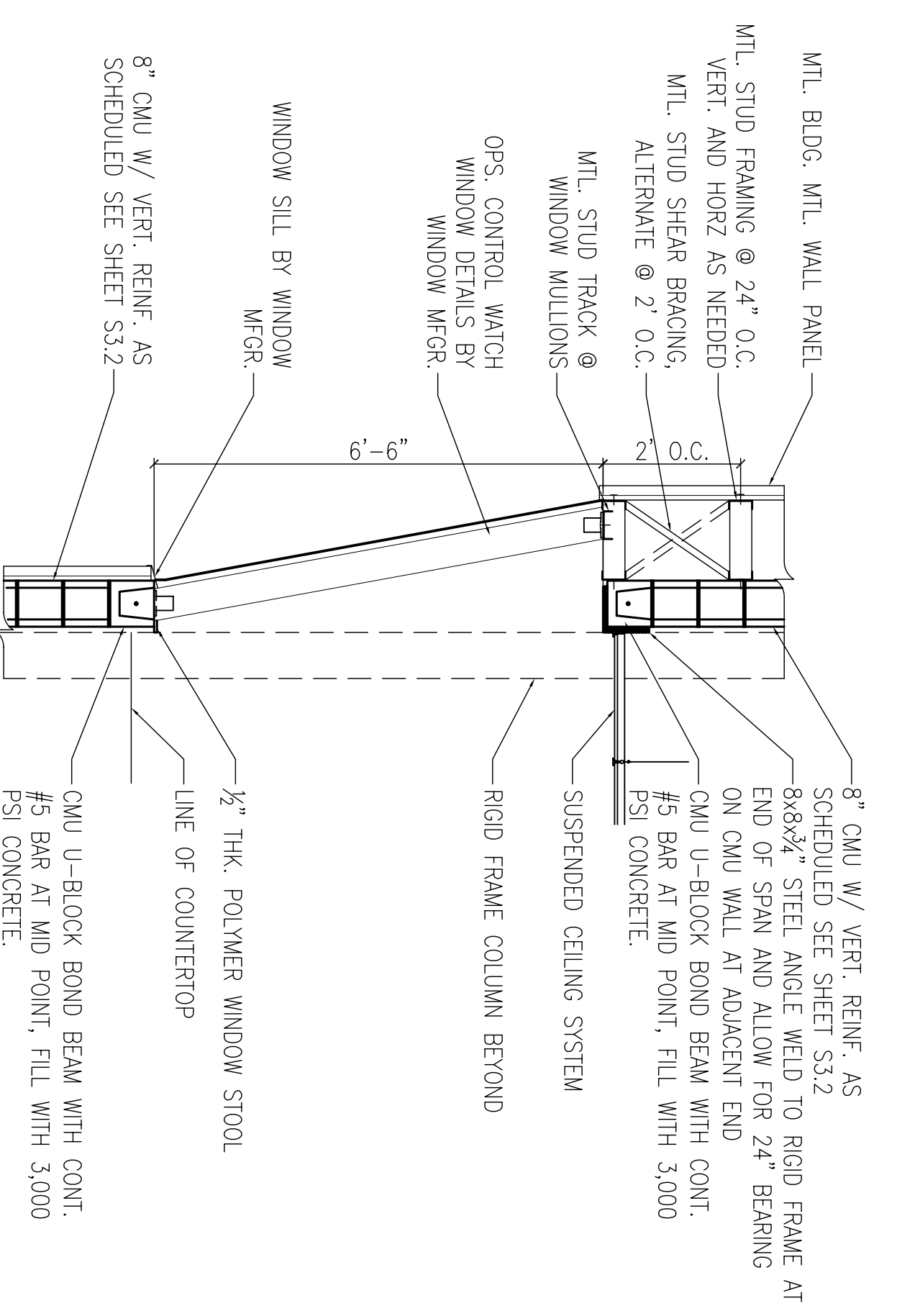
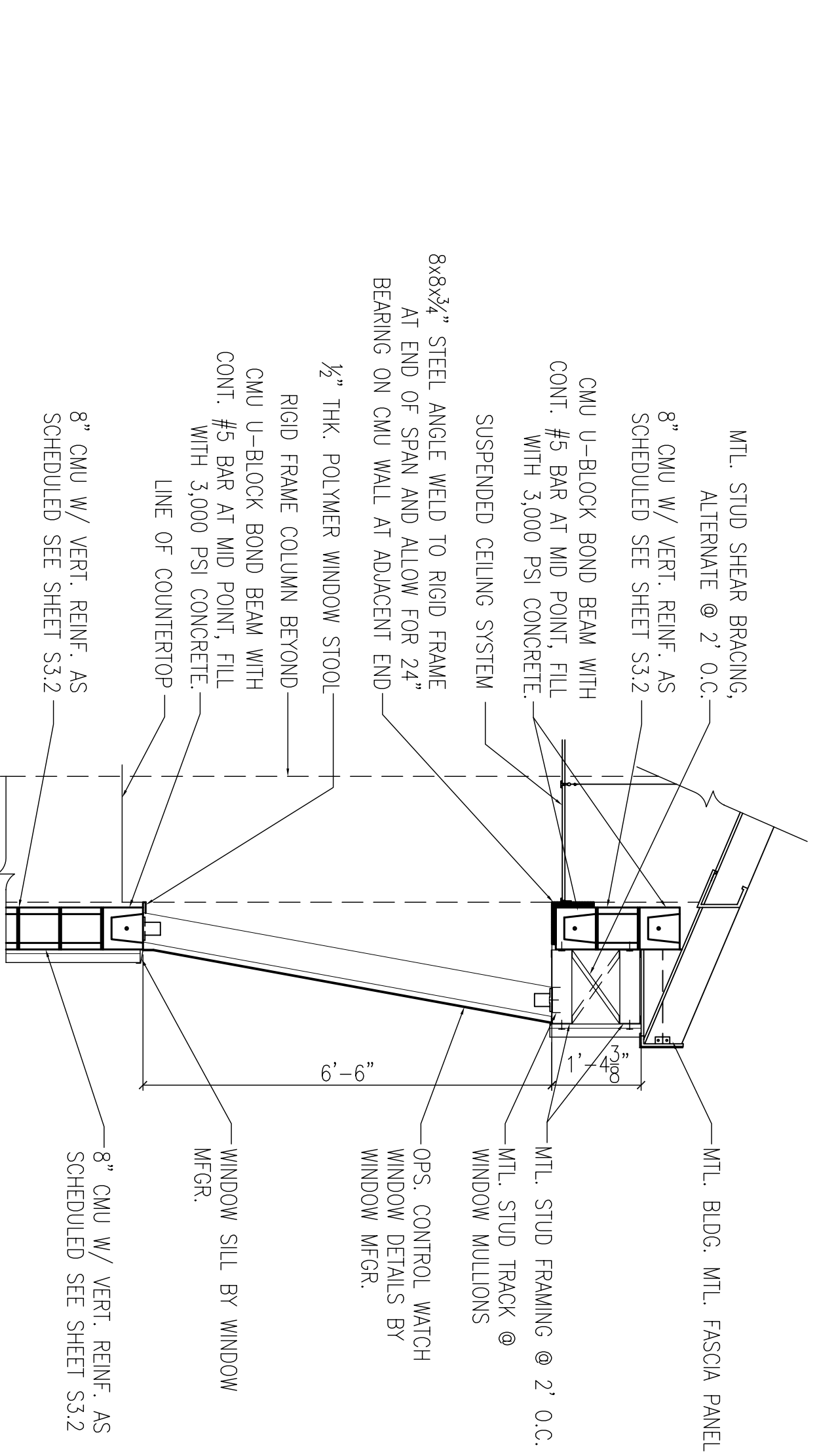


PARTIAL ELEVATION @ OPS CONTROL WINDOW  
SCALE: 1/4"=1'-0"

PARTIAL ELEVATION @ OPS CONTROL WINDOW  
SCALE: 1/4"=1'-0"

PARTIAL SECOND FLOOR PLAN @ OPS CONTROL WINDOW  
SCALE: 1/4"=1'-0"



SECTION  
SCALE: 1/2"=1'-0"

SECTION  
SCALE: 1/2"=1'-0"

CC  
S3.4

DD  
S3.4

REVDATE:

1 2 3 4 5

		DEPARTMENT OF THE NAVY NAVAL FACILITIES ENGINEERING COMMAND SOUTHEAST IFT SOUTH ATLANTIC	NAVAL FACILITIES ENGINEERING COMMAND MISSISSIPPI	JOHN C. STENNIS SPACE CENTER SOF RIVERINE AND COMBATANT CRAFT OPERATIONS FACILITY - PRE-FINAL BLDG. 2440 OPS. CONTROL WINDOW DETAILS
		NAVAL AIR STATION JACKSONVILLE	MISSISSIPPI	MISSISSIPPI
		DESIGNED BY: S. WILTSIE DRAWN BY: J. JENSEN CHECKED BY: S. WILTSIE DATE: 10/2008		
DAMMON ENGINEERING, INC. ENGINEER CHIEF ENGINEER CHIEF ARCHITECT CHIEF ELECTRICAL CHIEF MECHANICAL CHIEF PLUMBING CHIEF ROOFING CHIEF STRUCTURAL CHIEF TRENCHING CHIEF UTILITIES CHIEF VENTILATION CHIEF WATER CHIEF WASTE CHIEF YARDWORK CHIEF ZONING CHIEF ARCHITECTURE CHIEF ENGINEERING CHIEF PLUMBING CHIEF ROOFING CHIEF STRUCTURAL CHIEF TRENCHING CHIEF UTILITIES CHIEF VENTILATION CHIEF WATER CHIEF WASTE CHIEF YARDWORK CHIEF ZONING		SCALE: AS SHOWN WORK ORDER NO.: 510247 CONSTR. CONTR. NO.: N62467-05-D-10096 NAVFAC DRAWING NO.: SHEET: 74 OF 117		