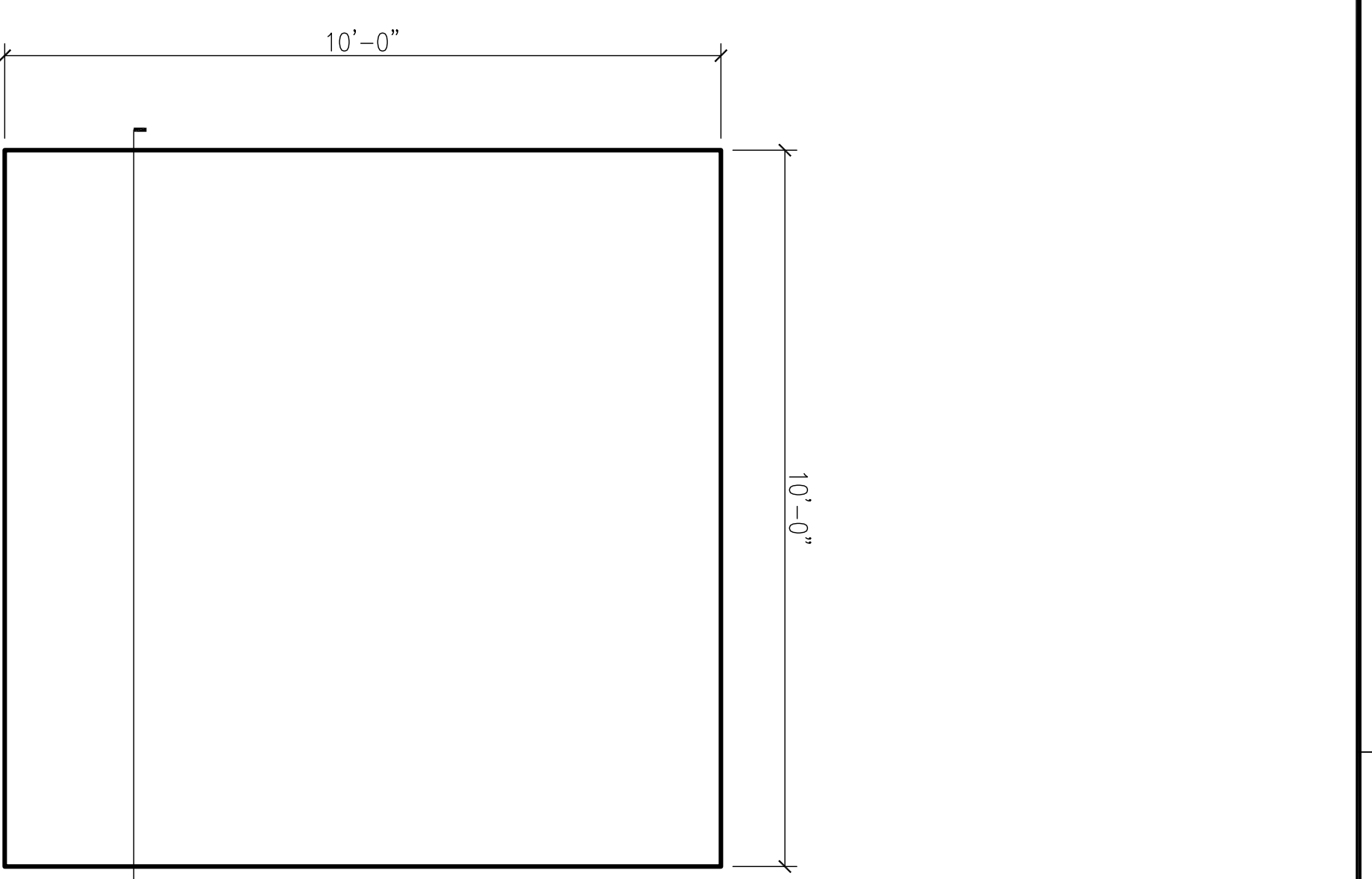
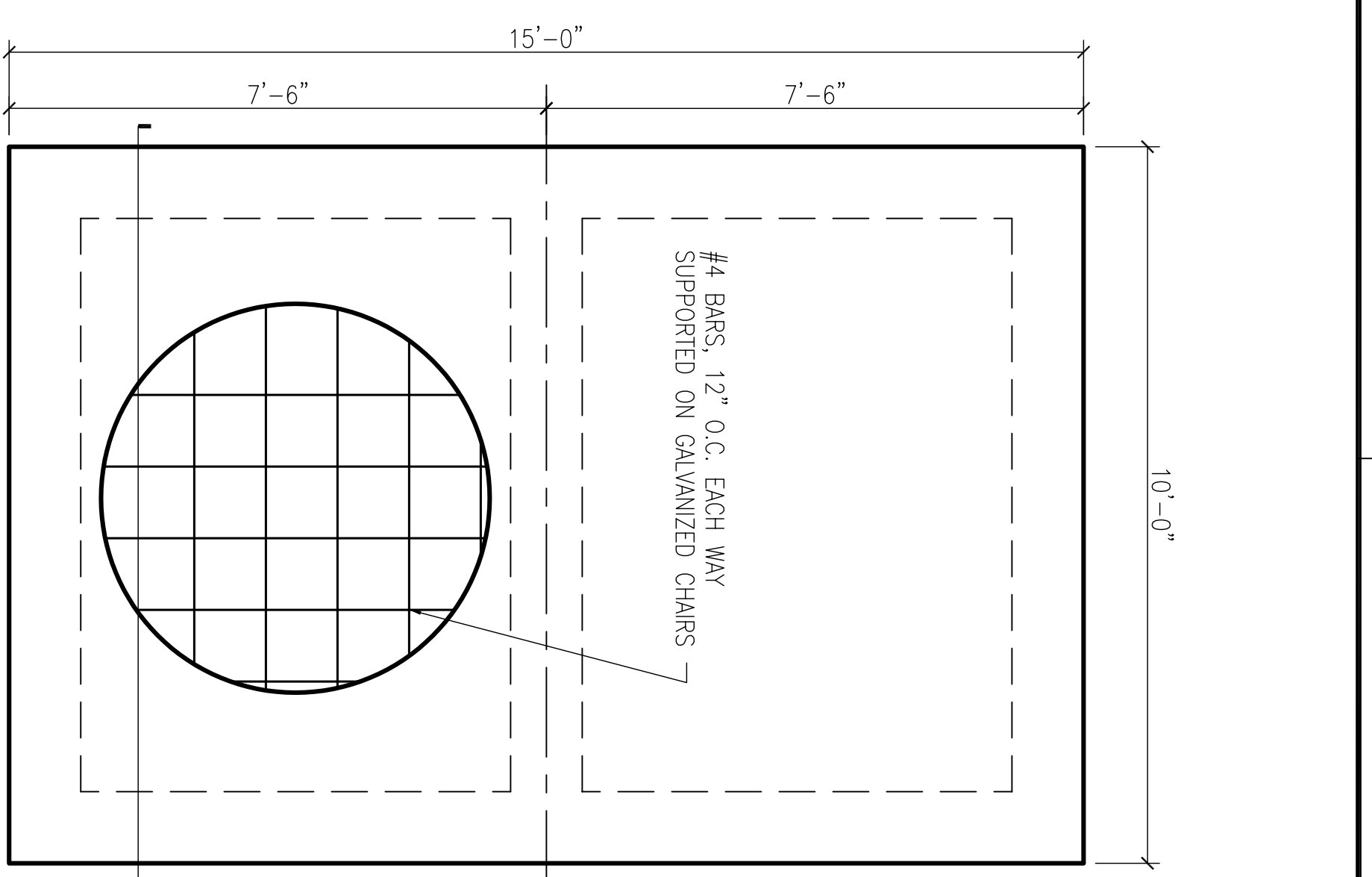


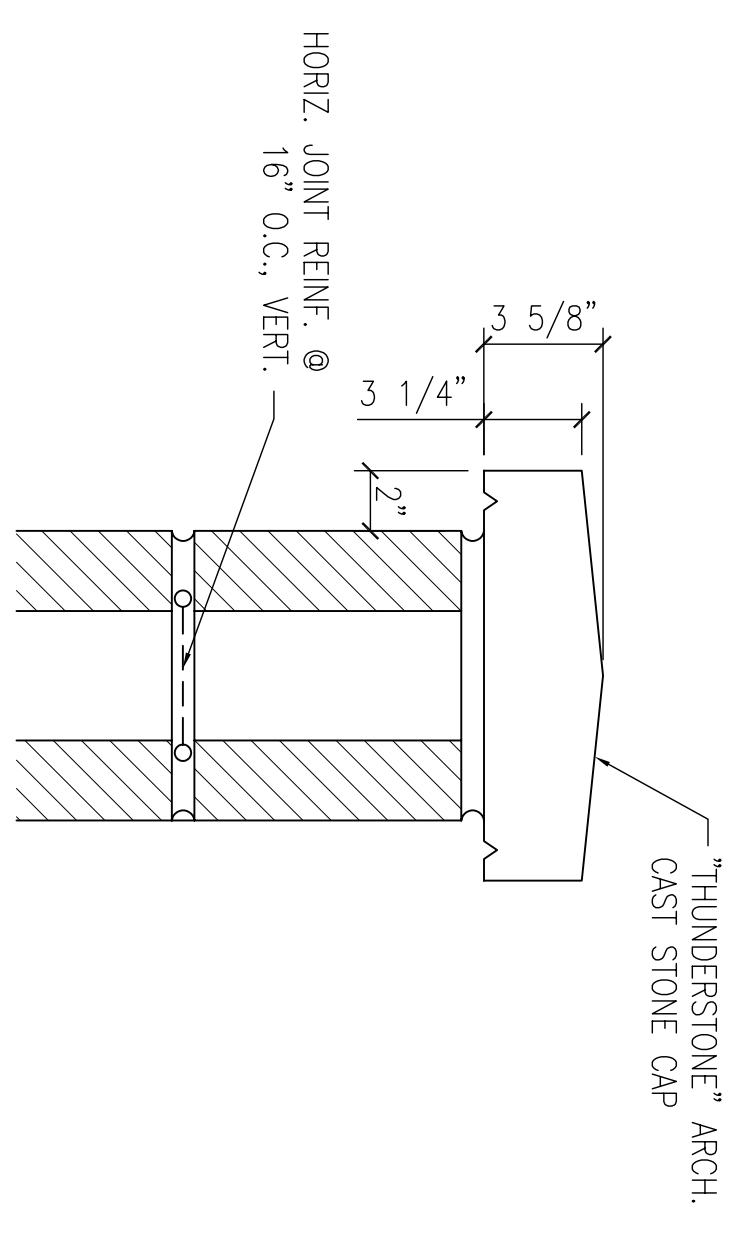
CONDENSER PAD FOUNDATION 14
SCALE: 1/2" = 1'-0"



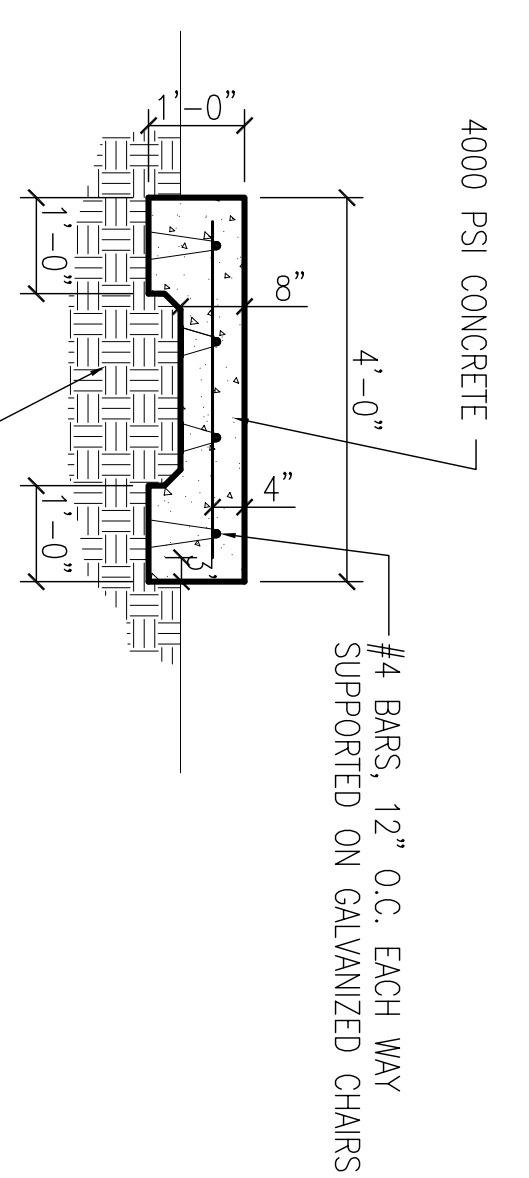
BICYCLE PAD FOUNDATION 15
SCALE: 1/2" = 1'-0"



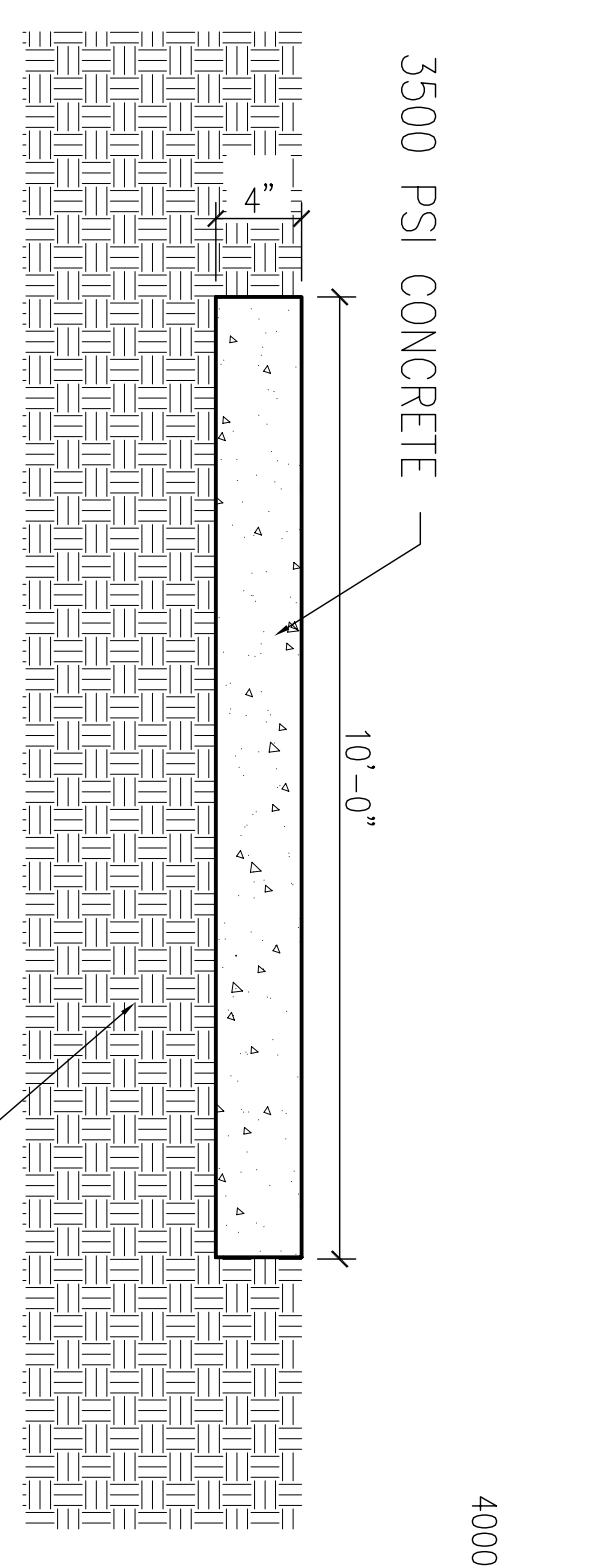
GENERATOR PAD FOUNDATION 16
SCALE: 1/2" = 1'-0"



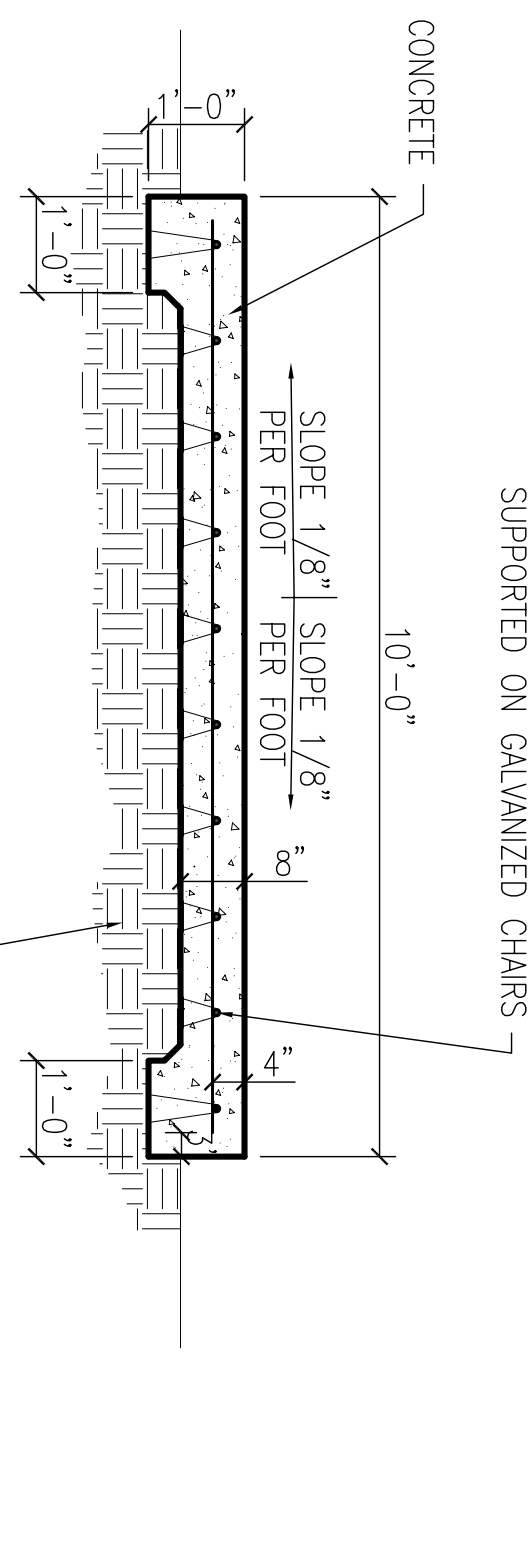
CAST STONE CAP DETAIL FOR DUMPSTER 17
N.T.S.



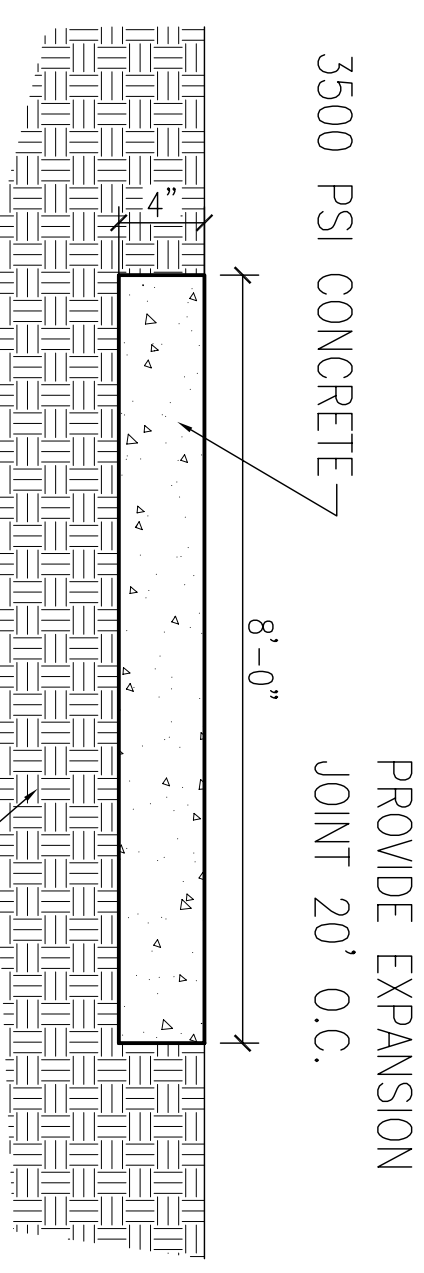
CONDENSER PAD SECTION JJ
SCALE: 1/2" = 1'-0"



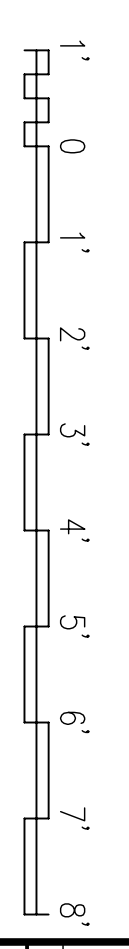
BICYCLE PAD SECTION KK
SCALE: 1/2" = 1'-0"



GENERATOR PAD SECTION LL
SCALE: 1/2" = 1'-0"



8' SIDEWALK SECTION MM
SCALE: 1/2" = 1'-0"



REVDATE:

1 2 3 4 5

DEPARTMENT OF THE NAVY NAVAL FACILITIES ENGINEERING COMMAND SOUTHEAST IPT SOUTH ATLANTIC JOHN C. STENNIS SPACE CENTER MISSISSIPPI SOF RIVERINE AND COMBATANT CRAFT OPERATIONS FACILITY - PRE-FINAL STRUCTURAL DETAILS		NAVAL FACILITIES ENGINEERING COMMAND NAVAL AIR STATION JACKSONVILLE MISSISSIPPI		DAMMON ENGINEERING, INC. ENGINEERING 1000 PINEAPPLE CIRCLE SUITE 100 DARMON, LA 70038 (985) 649-5832 MAY 10, 2009						DESIGNED BY: R. WILHE DRAWN BY: T. ARBIB CHECKED BY: P. DAMMON DATE: 05/11/09		SYM DESCRIPTION DATE APPR	
CODE ID NO. N4412	SIZE D	SCALE AS SHOWN	WORK ORDER NO. 510247	CONSTR. CONTR. NO. N62467-05-D-0096	NAVFAC DRAWING NO. N62467-05-D-113	S4.3				S4.3			