

Surface-mounted shelf:

- Model 7510-XX (10" depth, specify length)
- Model 7512-XX (12" depth, specify length)

Product Materials

SHELF: 18 gauge stainless steel with exposed surfaces in architectural satin finish.

BRACKETS: 16 gauge stainless steel.

Installation

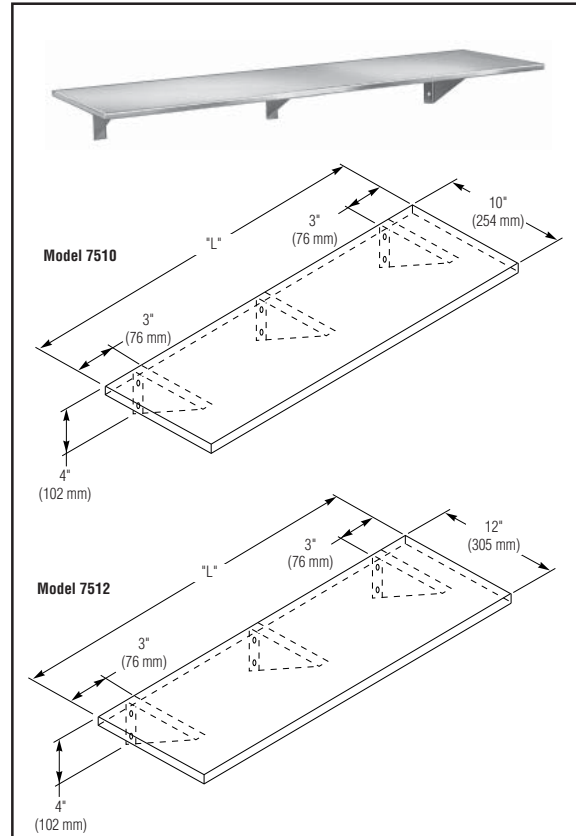
Verify all rough-in dimensions prior to installation. Secure to wall with mounting screws (included) at holes provided.

Length "L"	Quantity of Center Brackets
12" to 24"	0
25" to 48"	1
49" to 72"	2
73" to 96"	3
97" to 112"	4

Guide Specification

Surface-mounted shelf shall be fabricated of 18 gauge stainless steel with exposed surfaces in satin finish. Shelf support brackets to be stainless steel, 16 gauge and welded to shelf. Shelves over 24" long shall have intermediate bracket.

Surface-Mounted Shelf shall be Bradley Model 7510- (7512)- _____ (specify length).



**Washroom Accessories
Document No. 8760**

Page 1 of 1

This information is subject to change without formal notice.

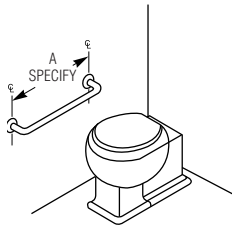
Always consult local and national codes for proper installation guidelines. Conformity and compliance to local and national codes is the responsibility of the installer.

9-30-2008

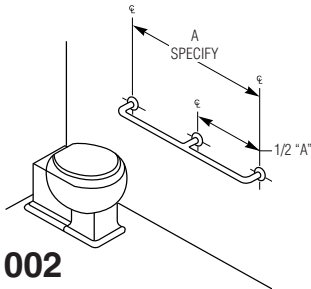
© 2008 Bradley Corporation
P.O. Box 309, Menomonee Falls, WI 53052-0309
Phone: 800.BRADLEY (800.272.3539) Fax: 262.253.4161
bradleycorp.com

Product: 7510, 7512	Quantity: n/a	Date: 4/24/09
Project & Location: Gulfport, MS.		
Distributor/Wholesaler: Partitions of Gulfport		

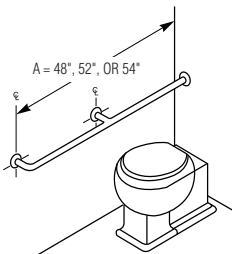
Typical Water Closet Applications:



001
SPECIFY LENGTH DESIRED. SEE 048 AND 049 FOR 45° MOUNTING. 001 OVER 54" REQUIRES A CENTER SUPPORT AND BECOMES 002.



002



003
ONLY ONE END RETURN. SPECIAL SIZE "A" DIMENSIONS. CENTER POST WILL ONLY BE ADDED TO MODELS GREATER THAN 24."

NOTE: When Grab Bar dimensions are modified, a support will be added to all sections longer than 54".

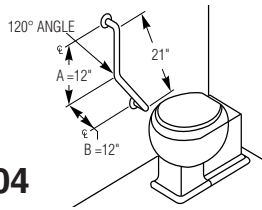
ADA Compliant

- Consult local and national accessibility codes for proper installation guidelines.
- Conformity and compliance to local and national codes is the responsibility of the installer.

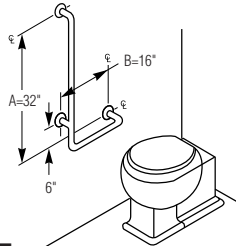
**Washroom Accessories
Document No. 8856**

Page 1 of 1

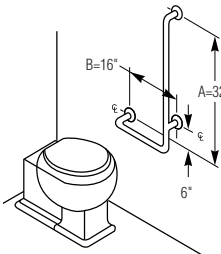
This information is subject to change without formal notice.



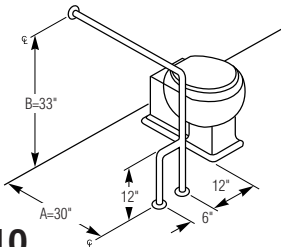
004



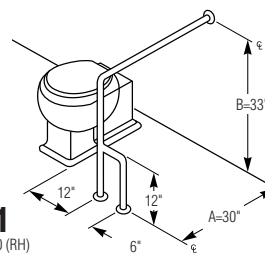
005
A DIMENSION WILL ALWAYS HAVE STAND OFF (LF).



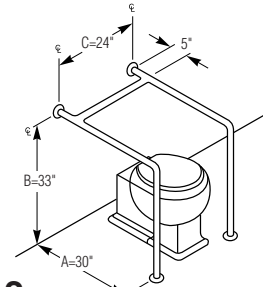
006
OPPOSITE 005
A DIMENSION WILL ALWAYS HAVE STAND OFF (RH).



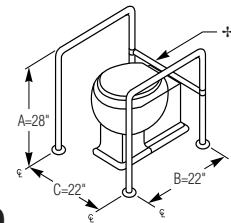
010
(LH)



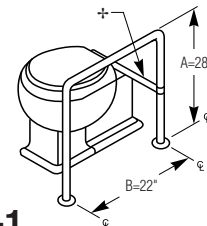
011
OPPOSITE 010 (RH)



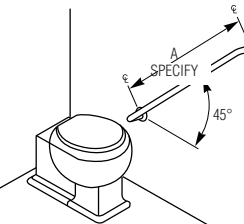
012
CONFIRM CLEARANCE BETWEEN FIXTURE OR PLUMBING AND GRAB BAR IN INDIVIDUAL APPLICATIONS.



039
+ BAR SLIDES TO ACCOMMODATE VARIOUS SIZE WATER CLOSETS. FLAT BAR-2" WIDE X 1/8" THICK 11 GA. BOLTS TO TOILET



039-1
+ BAR ADJUSTABLE FOR RIGHT OR LEFT HAND MOUNTING.



048
(SHOWN) (RH)
049
OPPOSITE HAND (LF)

9-30-2008

© 2008 Bradley Corporation
P.O. Box 309, Menomonee Falls, WI 53052-0309
Phone: 800.BRADLEY (800.272.3539) Fax: 262.253.4161
bradleycorp.com

Product: 001, 002, 003, 004, 005, 006, 010, 011, 012, 039, 039-1, 048, 049 **Quantity:** n/a

Date: 4/24/09

Project & Location: Gulfport, MS.

Distributor/Wholesaler: Partitions of Gulfport

- Model 5234 — Satin Stainless Steel **BradEx**[®]
- Model 5235 — Bright Polish **BradEx**[®]
- Non-Controlled Delivery
- Dual Roll (For Single Roll see Models 5084 and 5085)

Product Materials

POSTS: 22 gauge stainless steel with exposed surfaces in architectural satin finish (Model 5234) or bright polish finish (Model 5235).
ESCUTCHEONS: heavy stainless steel with exposed surfaces in architectural satin finish (Model 5084) or bright polish finish (Model 5085).
SPINDLES: chrome-plated plastic.
MOUNTING BRACKET: 18 gauge stainless steel.

Capacity

Two standard core toilet tissue rolls through 5-1/2" in diameter.

Operation

Concealed spring permits spindle to telescope for servicing. Spindle turns freely for non-controlled delivery.

Installation

Verify all rough-in dimensions prior to installation. Secure concealed wall mounting bracket to wall with screws (included) at holes provided. Mount projecting arms and escutcheons to bracket and secure with concealed locking screw. Snap escutcheons into place.

Optional Features

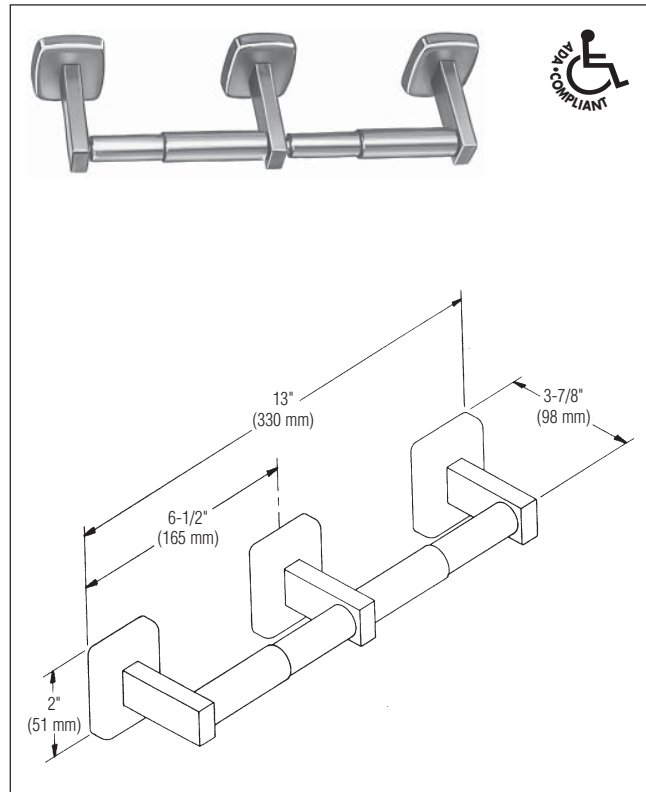
Feature	Suffix
<input type="checkbox"/> Anti-theft spindle	-52

Guide Specification

Model 5234: Surface-mounted dual roll toilet tissue dispenser shall be heavy gauge stainless steel with satin finish and hold two standard core toilet tissue rolls.

Model 5235: Surface-mounted dual roll toilet tissue dispenser shall be heavy gauge stainless steel with bright polish finish and hold two standard core toilet tissue rolls.

Overall dimensions: 13"W x 2"H x 3-7/8"D.



ADA Compliant

- Consult local and national accessibility codes for proper installation guidelines.
- Conformity and compliance to local and national codes is the responsibility of the installer.

Washroom Accessories
Document No. 8515

Orders composed of products indicated as **BradEx**[®] will be available to ship in three days after receipt of order at the factory. There is no pricing penalty for this service from Bradley. This information is subject to change without formal notice. 9-30-2008

© 2008 Bradley Corporation
P.O. Box 309, Menomonee Falls, WI 53052-0309
Phone: 800.BRADLEY (800.272.3539) Fax: 262.253.4161
bradleycorp.com

Product: 5234	Quantity: n/a	Date: 4/24/09
Project & Location: Gulfport, MS.		
Distributor/Wholesaler: Partitions of Gulfport		

- Tank Type Horizontal **Bradex**[®]
- Surface-Mounted
- ADA Compliant

Product Materials

BODY: 20 gauge stainless steel with exposed surfaces in architectural satin finish.

BACK: 20 gauge stainless steel; welded to the body.

WALL PLATE: stainless steel.

SOAP VALVE: chrome-plated brass housing with ABS plastic mechanism.

Capacity

40 oz. liquid soap.

Operation

Push-in valve dispenses measured amount of vegetable or coconut oil liquid soaps, synthetic detergents, and antiseptic solutions with less than 5 lbs. of force. Sight gauge indicates refill time. Locked filler top opens with special key provided.

- Bradley liquid soap valves operate best with any vegetable oil or coconut oil hand soap having a 10–15% soap concentration.

Installation

Verify all rough-in dimensions prior to installation. Secure separate mounting bracket to wall. Slide dispenser into place and secure locking screw through filler hole.

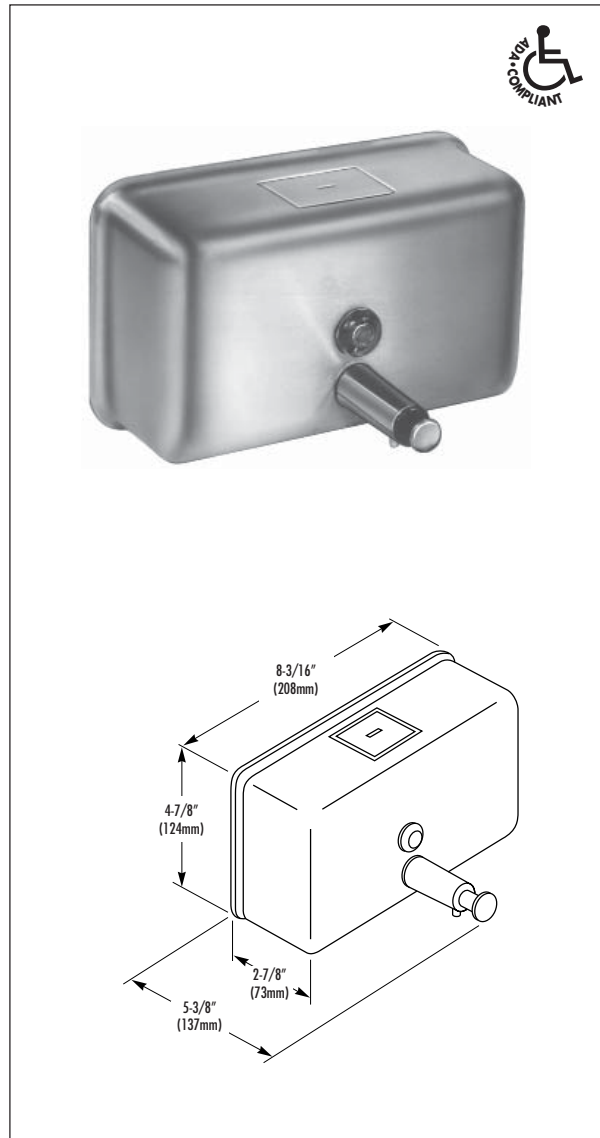
Guide Specification

Surface-mounted liquid soap dispenser shall be fabricated of 20 gauge satin finish stainless steel. Dispenser shall have completely concealed mounting, vandal-resistant filler hole cover and sight gauge. Push-in corrosion-resistant liquid soap valve. Capacity: 40 oz. liquid soap. Requires less than 5 lbs. of force to dispense soap.

Overall dimensions: 8-3/16"W x 4-7/8"H x 2-7/8"D.

ADA Compliant

- Consult local and national accessibility codes for proper installation guidelines.
- Conformity and compliance to local and national codes is the responsibility of the installer.



Washroom Accessories
Document No. 8680

Orders composed of products indicated as **Bradex**[®] will be available to ship in three days after receipt of order at the factory. There is no pricing penalty for this service from Bradley.

© 2008 Bradley Corporation
P.O. Box 309, Menomonee Falls, WI 53052-0309
Phone: 800.BRADLEY (800.272.3539) Fax: 262.253.4161
bradleycorp.com

This information is subject to change without formal notice.

9-30-2008

Product: 6542	Quantity: n/a	Date: 4/24/09
Project & Location: Gulfport, MS.		
Distributor/Wholesaler: Partitions of Gulfport		

Mirror with angle frame, welded corners and theft-resistant mounting:

- Standard Model 780-1830 (18" x 30") **Bradex**[®]
- Standard Model 780-1836 (18" x 36") **Bradex**[®]
- Standard Model 780-2436 (24" x 36") **Bradex**[®]
- Standard Model 780-2460 (24" x 60") **Bradex**[®]
- Model 780-XXXX (Specify width and height)

Product Materials

FRAME: one-piece roll-formed stainless steel, 3/4" x 3/4" angle with corners welded, ground and polished smooth to a satin finish. Double strength continuous integral stiffener on all sides for added strength. Bevel on front of angle secures frame flush against mirror.

BACK: galvanized steel, secured to frame with concealed screws, equipped with integral horizontal hanging brackets.

MIRROR: first quality 1/4" float glass, triple-silver-plated with electro-copper-plated layer and thermosetting infrared cured-paint backing with Poly-Glaze protective finish. Manufactured in accordance with ASTM C 1036. All edges protected by shock-absorbing, neoprene tubing.

WALL HANGER: 18 gauge cold rolled steel, all welded construction to form rigid template.

Optional Features

Features	Suffix
<input type="checkbox"/> 1/4" tempered glass mirror in lieu of polished float glass mirror*	-2
<input type="checkbox"/> Laminate glass	-3
<input type="checkbox"/> Highly polished No. 8 architectural finish, 20 gauge stainless steel in lieu of polished float glass mirror	-4
<input type="checkbox"/> Bright annealed 20 gauge stainless steel in lieu of polished float glass mirror	-5
<input type="checkbox"/> Plexiglass	-6

*Either the Length (L) or the Width (W) must be greater than 25".

Guide Specification

Mirror shall be framed with heavy gauge, one-piece roll-formed 3/4" x 3/4" stainless steel angle with double strength continuous integral stiffener. Welded corners shall be polished to a uniform satin finish. Mirror shall be of first quality 1/4" float glass guaranteed for 15 years against silver spoilage and protected by a shock-absorbing, neoprene tubing with Poly-Glaze protective finish. Back of unit shall be galvanized steel secure to frame with concealed screws, equipped with integral horizontal hanging brackets and separate wall hanger for concealed mounting.

Framed Mirror shall be Bradley Model 780-_____ " W x _____ " H (specify width and height).

ADA Compliant

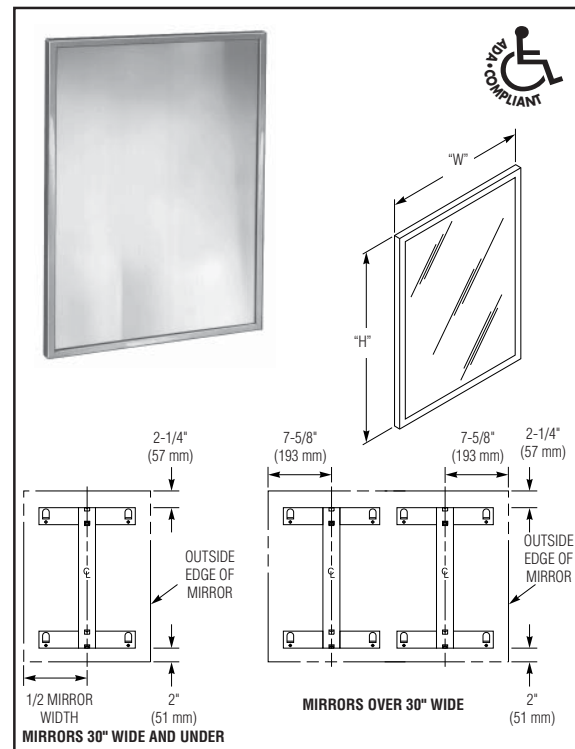
- Consult local and national accessibility codes for proper installation guidelines.
- Conformity and compliance to local and national codes is the responsibility of the installer.

Washroom Accessories
Document No. 8775

Page 1 of 1

This information is subject to change without formal notice.

9-30-2008



Bradex[®] Models

Width (Inches) W	Height (Inches) H	Overall Dimension (Inches)	Overall Dimensions (Millimeters)	Standard Model Number
18"	30"	18 x 30	457 x 762	780-1830
18"	36"	18 x 36	457 x 914	780-1836*
24"	36"	24 x 36	610 x 914	780-2436*
24"	60"	24 x 60	610 x 1524	780-2460

Model 780 series angle framed mirrors can be fabricated to fit any architectural requirement.

* Indicates available Tempered glass. **Bradex**[®]

- An inherent characteristic of a manufacturing process for tempered glass is distortion which may vary from mirror to mirror.

Installation

Verify all rough-in dimensions prior to installation. Secure concealed mounting bracket to wall with screws (not included) at holes provided. Mounting kits available through Bradley (ref. #899-026). Refer to technical data sheet #8880. Provide in-wall backing at mounting screw locations. Position mirror over mounting bracket to engage hanger tabs. Slide mirror down and lock into position.

Orders composed of products indicated as **Bradex**[®] will be available to ship in three days after receipt of order at the factory. There is no pricing penalty for this service from Bradley.

© 2008 Bradley Corporation
P.O. Box 309, Menomonee Falls, WI 53052-0309
Phone: 800.BRADLEY (800.272.3539) Fax: 262.253.4161
bradleycorp.com

Product: 780	Quantity: n/a	Date: 4/24/09
Project & Location: Gulfport, MS.		
Distributor/Wholesaler: Partitions of Gulfport		

- Folding Shower Seat
- Color – White

Product Materials

FRAME: stainless steel tubing, 1-1/4" x 18 gauge sq. main frame with 1" x 18 gauge rd. cross-members.

WALL FLANGES: stainless steel, 10 gauge x 3" dia. heliarc welded to 1" rd. x 18 gauge 90 degree leg supports, and to 1-1/4" rd. x 12 gauge frame hinge couplings. Three mounting holes in each flange.

SWING DOWN LEG: "H"-shaped yoke of stainless steel 1" dia. x 18 gauge rd. tubing, heliarc welded to 1-1/4" rd. x 12 gauge frame hinge couplings.

SEAT: 1/2" thick solid phenolic. White matte finish Melamine bonded onto the phenolic for color. All exposed edges are machined smooth to a uniform dark finish.

Operation

Seat is automatically held in a raised position by a stainless cross member attached to the front and rear support legs. When the seat is lowered into its down position the Swing Down Leg automatically aligns the front and rear support legs with the help of the stainless cross member. **NOTE:** When properly installed, the seat can support up to 900 lbs. static load.

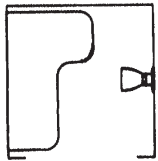
Installation

Verify all rough-in dimensions prior to installation. All shower seats must be installed using suitable fasteners and sufficient in-wall backing materials. Place the seat in an upright position with the mounting flanges placed firmly against the shower wall. Level the seat to the mounting height (17"-19") by modifying the adjustable rubber feet. After marking the three holes in each flange, drill the appropriate holes. Secure the two hinge bracket flanges to the wall. Place the seat in the down position and make any final changes to the adjustable rubber feet.

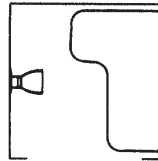
Guide Specification

Bariatric Bench Seat frame shall be fabricated of stainless steel tube, 1-1/4" x 18 gauge sq. main frame with 1" x 18" gauge rd. cross members. The leg is "H"-shaped yoke of stainless steel tubing, 1" x 18 gauge rd. tubing, Heliarc welded to 1-1/4" rd. x 12 gauge frame hinge.

Overall dimensions: 32" x 22-1/2".



957
(LEFT HAND)



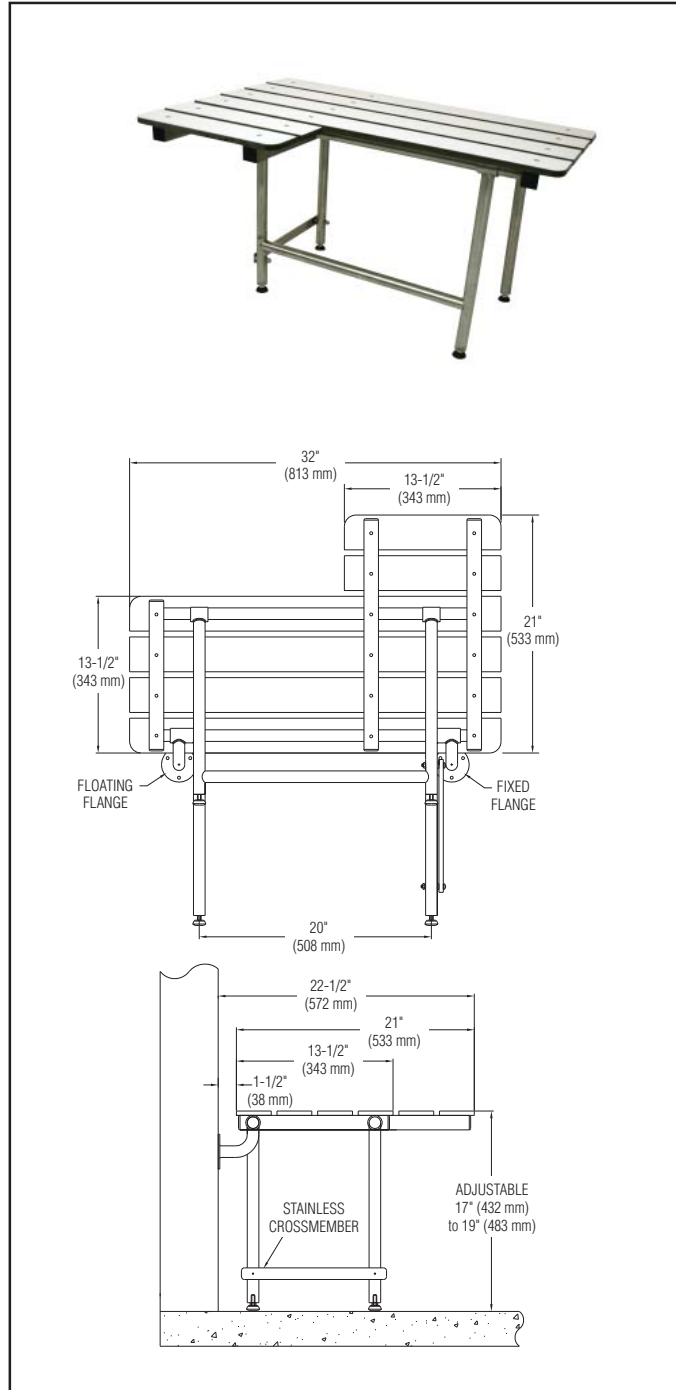
9571
(RIGHT HAND)

Washroom Accessories
Document No. 9031

This information is subject to change without formal notice.
Always consult local and national codes for proper installation guidelines.
Conformity and compliance to local and national codes is the responsibility of the installer.

9-30-2008

© 2008 Bradley Corporation
P.O. Box 309, Menomonee Falls, WI 53052-0309
Phone: 800.BRADLEY (800.272.3539) Fax: 262.253.4161
bradleycorp.com



Product: 957, 9571	Quantity: n/a	Date: 4/24/09
Project & Location: Gulfport, MS.		
Distributor/Wholesaler: Partitions of Gulfport		

- Polished Chrome Finish
- Surface-Mounted
- Concealed Wall Plates

Product Materials

UNITS: die cast, high quality Zamac zinc alloy. Copper, nickel plated with a highly polished chrome finish.

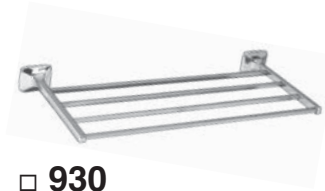
WALL PLATES: heavy steel, cadmium plated.

Installation

Verify all rough-in dimensions prior to installation. Secure wall plate(s) to wall with screws (included) at holes provided. Slip notched section of unit over top lip of wall plate. Tighten concealed set screw to lock unit in place.

Guide Specification

Surface-mounted accessory shall be fabricated of die cast, high quality Zamac zinc alloy and copper, nickel plated with highly polished chrome finish.



930
8-1/2" DEEP TOWEL SHELF
 18"W



9301
8-1/2" DEEP TOWEL SHELF WITH
TOWEL BAR AND SUPPORT BRACES
 18"W 24"W



931 Bradex®
SINGLE ROBE HOOK. 2-1/8"W x 2"D



9311 Bradex®
TOWEL HOOK. PROJECTS 5-1/8"



921 Bradex®
SOAP DISH (SHOWN) 3-15/16"W x 2-7/8"D



924
4-1/2"W x 3-1/2"D
TUMBLER AND TOOTHBRUSH HOLDER

921-60
SOAP DISH WITH DRAIN HOLES



932 Bradex®
DOUBLE ROBE HOOK. PROJECTS 2-1/8"W x 1-5/8"D



933
TOWEL RING WITH
LUCITE RING

934
TOWEL RING WITH
CHROME PLATED RING (SHOWN)
PROJECTS 1-3/4"



926
3/4" ROUND TOWEL BAR. PROJECTS 3-1/4"
 18"W 24"W 30"W



927
3/4" SQUARE TOWEL BAR. PROJECTS 3"
 18"W **Bradex®**
 24"W **Bradex®**
 30"W

Washroom Accessories
Document No. 8910

Orders composed of products indicated as **Bradex®** will be available to ship in three days after receipt of order at the factory. There is no pricing penalty for this service from Bradley.

This information is subject to change without formal notice.

Always consult local and national codes for proper installation guidelines. Conformity and compliance to local and national codes is the responsibility of the installer.

9-30-2008

© 2008 Bradley Corporation
P.O. Box 309, Menomonee Falls, WI 53052-0309
Phone: 800.BRADLEY (800.272.3539) Fax: 262.253.4161
bradleycorp.com

Product: 921, 921-60, 931, 924, 930, 9311, 9301, 926, 927, 932, 933, 934


Quantity: n/a

Date: 4/24/09

Project & Location: Gulfport, MS.

Distributor/Wholesaler: Partitions of Gulfport

- Exposed Mounting
- Model 953 – 1" O.D.
 - 36" **Bradex**[®]
 - 42"
 - 48"
 - 60" **Bradex**[®]
 - 72"
- Model 9531 – 1-1/4" O.D.
 - 36" **Bradex**[®]
 - 42" **Bradex**[®]
 - 48" **Bradex**[®]
 - 60" **Bradex**[®]
 - 72"

 For 72" lengths and greater, model 9522 Shower Rod Ceiling Support is required! Must specify distance from the ceiling!

Product Materials

FLANGES: 22 gauge stainless steel. One-piece drawn construction with exposed surfaces in architectural satin finish.

TUBING: 18 gauge stainless steel, seamless construction with exposed surfaces in architectural satin finish.

Installation

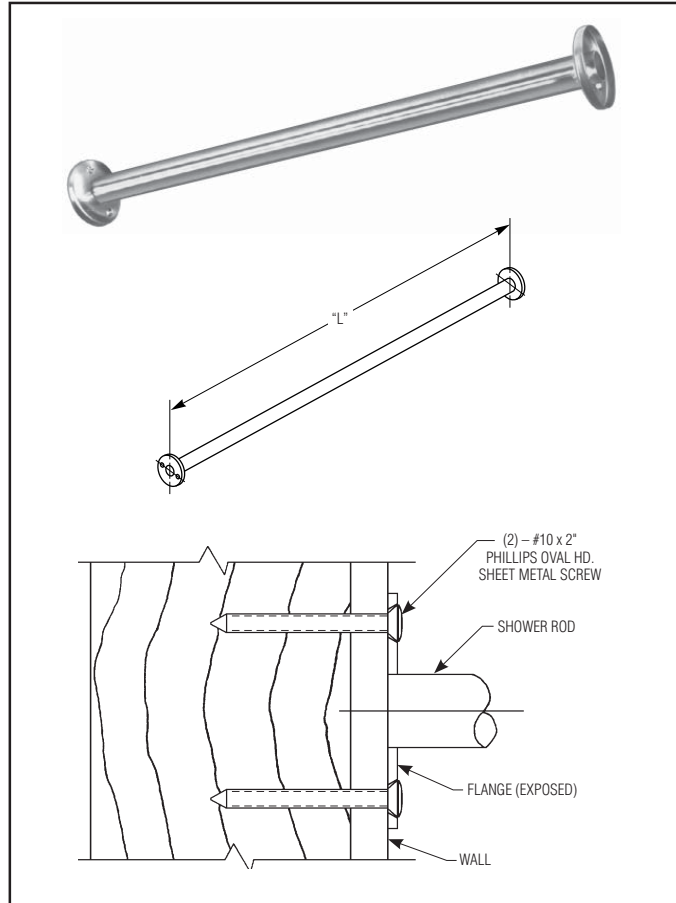
Verify all rough-in dimensions prior to installation. To properly engage rod in support flanges, rod length must be no less than approximately 1/4" shorter than wall opening. Secure one flange to wall with mounting screws (included) at holes provided. Align mounting holes vertically. Slip opposite flange over rod and secure to opposite wall with rod in place.

Optional Features

Feature	Suffix
<input type="checkbox"/> Bright polished finish	-78

Guide Specification

Shower curtain rod shall be fabricated of 18 gauge stainless steel in satin finish. Flanges shall be of 22 gauge stainless steel.



Washroom Accessories
Document No. 8970

Orders composed of products indicated as **Bradex**[®] will be available to ship in three days after receipt of order at the factory. There is no pricing penalty for this service from Bradley. This information is subject to change without formal notice.

Always consult local and national codes for proper installation guidelines. Conformity and compliance to local and national codes is the responsibility of the installer.

9-30-2008

© 2008 Bradley Corporation
P.O. Box 309, Menomonee Falls, WI 53052-0309
Phone: 800.BRADLEY (800.272.3539) Fax: 262.253.4161
bradleycorp.com

Product: 953, 9531	Quantity: n/a	Date: 4/24/09
Project & Location: Gulfport, MS.		
Distributor/Wholesaler: Partitions of Gulfport		

- Model 270 — Recessed**
(recesses 5-1/2"; projects 3/4")
- Model 270-10 — Semi-Recessed**
(recesses 3-1/2"; projects 2-3/4")
- Model 270-11 — Surface-Mounted**
(projects 6-1/4")
- Contemporary Series — Satin Finish
- C-Fold/Multi-Fold/Single-Fold Towels

Product Materials

CABINET: 22 gauge stainless steel with exposed surfaces in architectural satin finish. Welded construction with seamless corners and burr-free edges.

DOOR: 18 gauge stainless steel. Warp resistant, with full length piano hinge and (2) tumbler locks keyed like other Bradley units.

TOWEL DISPENSER: 22 gauge stainless steel. Rolled edge on dispenser opening.

HAND DRYER: sensor activation. Universal voltage. European Export available.

To comply with EU standards, purchase model with option -49 (required for CE certification only).

WASTE CONTAINER LINER: natural color linear low density polyethylene — Part #M44-081.

Capacity

Towel Dispenser — 710 single-fold, 500 multi-fold or 370 C-fold paper towels.
Waste Container — 4.37 gal. (16.5 L)

Operation

Towel dispenser holds single-fold, multi-fold or C-fold towels without use of special adapter. Receptacle removable for easy servicing by unlocking door.

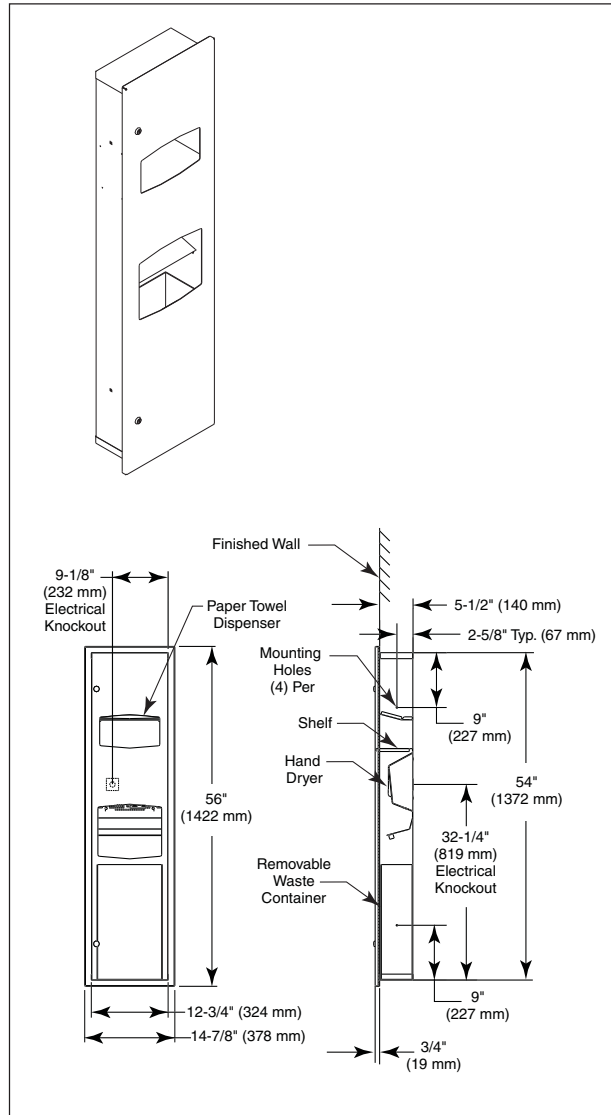
Installation

Verify all rough-in dimensions prior to installation. Recessed unit requires rough wall opening 13"W x 54-1/4"H x 5-1/2"D. Secure to framing with mounting screws (included) at holes provided. Shim at screw points as required. Surface-mounted units need to have holes drilled by installer. Mounting screws are included. Please refer to the installation instructions with the hand dryer for directions.

Guide Specification

Recessed combination towel dispenser, hand dryer, and waste receptacle shall be fabricated of 18 gauge stainless steel with exposed surfaces in satin finish. Warp-free door equipped with piano hinge and secured by (2) tumbler locks. Towel dispenser capacity — 710 single-fold, 500 multi-fold, or 370 C-fold towels. 4.37 gal. linear low density polyethylene waste receptacle included.

Overall dimensions: 14-7/8"W x 56"H x 6-1/4"D.



Optional Features

Feature	Suffix
<input type="checkbox"/> For Export (CE Certified)	-49

Washroom Accessories
Document No. 8137

This information is subject to change without formal notice.
Always consult local and national codes for proper installation guidelines.
Conformity and compliance to local and national codes is the responsibility of the installer.

9-30-2008

© 2008 Bradley Corporation
P.O. Box 309, Menomonee Falls, WI 53052-0309
Phone: 800.BRADLEY (800.272.3539) Fax: 262.253.4161
bradleycorp.com

Product: 270	Quantity: n/a	Date: 4/24/09
Project & Location: Gulfport, MS.		
Distributor/Wholesaler: Partitions of Gulfport		

Model 4781-15 — Surface-Mounted
Bradex®

Standard Series — Satin Finish

Product Materials

COVER: 22 gauge stainless steel with exposed surfaces in architectural satin finish. Heavy-duty stainless steel piano hinge.

CONTAINER: 22 gauge stainless steel with exposed surfaces in architectural satin finish. All welded construction with rounded front corners. Bottom equipped with lock and heavy-duty stainless steel piano hinge.

Operation

Bottom opens for removal of waxed paper liner. Additional liners available from Bradley.

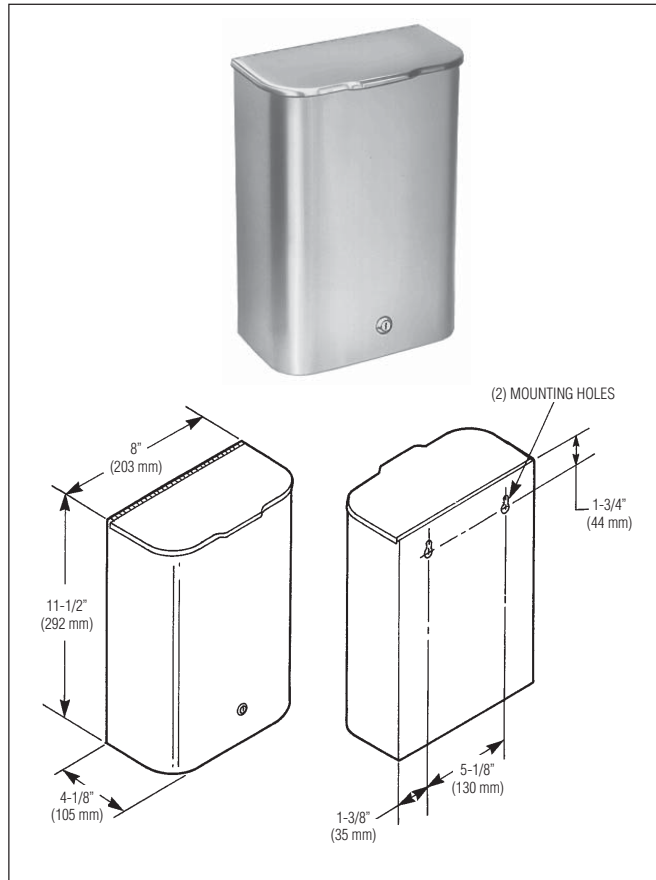
Installation

Verify all rough-in dimensions prior to installation. Secure to wall or partition with mounting screws (included) at holes provided.

Guide Specification

Surface-mounted napkin disposal shall be fabricated of 22 gauge stainless steel with exposed surfaces in satin finish. Top attached by piano hinge. Bottom hinged for easy servicing.

Overall dimensions: 8"W x 11-1/2"H x 4-1/8"D.



Washroom Accessories
Document No. 8415

Orders composed of products indicated as **Bradex®** will be available to ship in three days after receipt of order at the factory. There is no pricing penalty for this service from Bradley.

This information is subject to change without formal notice.

Always consult local and national codes for proper installation guidelines.

Conformity and compliance to local and national codes is the responsibility of the installer.

9-30-2008

© 2008 Bradley Corporation
P.O. Box 309, Menomonee Falls, WI 53052-0309
Phone: 800.BRADLEY (800.272.3539) Fax: 262.253.4161
bradleycorp.com

Product: 4781-15	Quantity: n/a	Date: 4/24/09
Project & Location: Gulfport, MS.		
Distributor/Wholesaler: Partitions of Gulfport		

- Exposed Mounting
- Stainless Steel **Bradex**[®]

Product Materials

CLOTHES HOOK: 12 gauge stainless steel with exposed surfaces in satin finish. All welded construction.

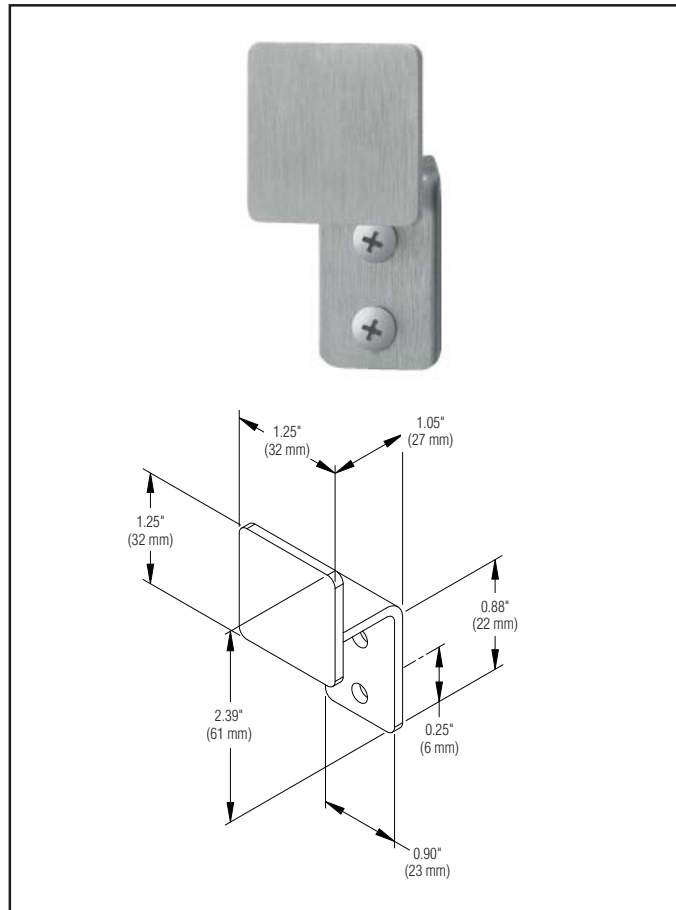
MOUNTING PLATE: 12 gauge plated steel in bright chrome finish.

Installation

Verify all rough-in dimensions prior to installation. Secure to wall with mounting screws (included) at holes provided.

Guide Specification

Clothes hook shall be 12 gauge stainless steel with exposed surfaces in satin finish.



Washroom Accessories
Document No. 8927

Orders composed of products indicated as **Bradex**[®] will be available to ship in three days after receipt of order at the factory. There is no pricing penalty for this service from Bradley.

This information is subject to change without formal notice.

Always consult local and national codes for proper installation guidelines. Conformity and compliance to local and national codes is the responsibility of the installer.

9-30-2008

© 2008 Bradley Corporation
P.O. Box 309, Menomonee Falls, WI 53052-0309
Phone: 800.BRADLEY (800.272.3539) Fax: 262.253.4161
bradleycorp.com

Product: 917	Quantity: n/a	Date: 4/24/09
Project & Location: Gulfport, MS.		
Distributor/Wholesaler: Partitions of Gulfport		

Must Specify Operation:

- Free — 40
- 10¢ — 42
- 25¢ — 45 **Bradex®**
- 50¢ — 43
- \$1.00 — 44

- Standard Series — Satin Finish
- Slip-Type Flange

Product Materials

FLANGE: 22 gauge stainless steel with exposed surfaces in architectural satin finish. Flange of one-piece seamless construction, 1" wide with 1/4" return. Slip-type flange permits partial or full recess installation, or can be discarded for surface mounting.

CABINET: 22 gauge stainless steel with exposed surfaces in architectural satin finish. Welded construction with burr-free edges.

DOOR: 18 gauge stainless steel with exposed surfaces in architectural satin finish, with full-length piano hinge and two tumbler locks keyed like other Bradley units.

COIN BOX: inside cabinet is 22 gauge stainless steel, secured by a separate lock keyed differently than door locks. Coin mechanisms are available with free, \$.10, \$.25, \$.50 or \$1.00 operation. Two mechanisms are included. Coin mechanisms may be replaced in the field without removing cabinet from wall.

Capacity

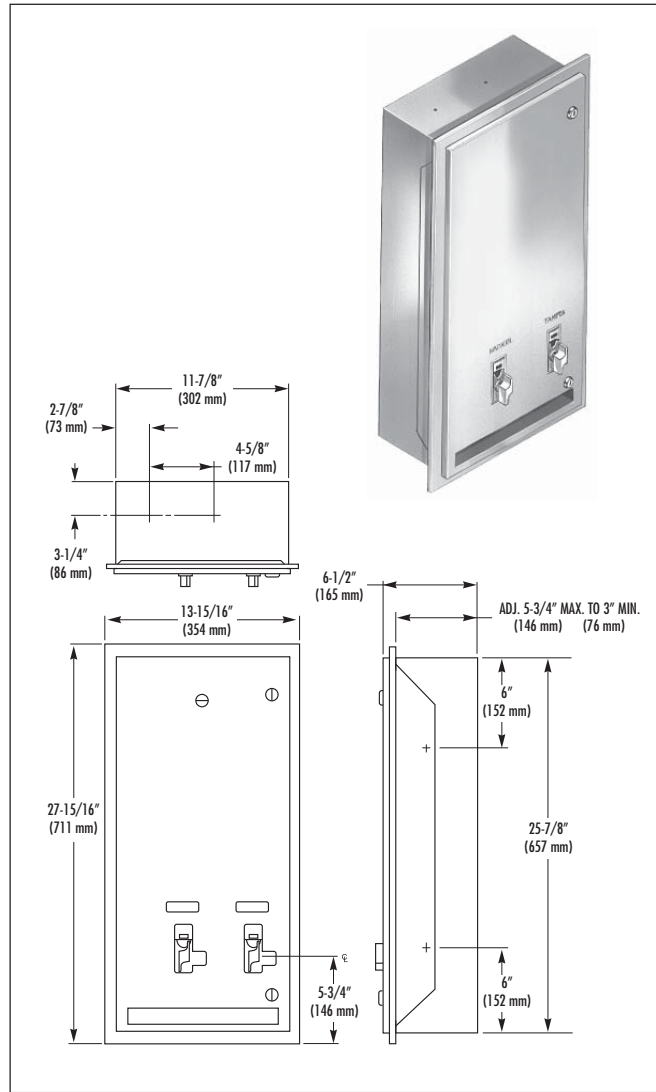
30 napkins (3" x 4-1/4" x 1" or smaller) and 28 tampons (5-1/8" long x 3/4" dia. or smaller). Dispenses all popular brands.

Operation

Insertion of coin permits clockwise rotation of handle to dispense product. Will not accept coin when vendor is empty. Access door allows servicing of unit.

Installation

Verify all rough-in dimensions prior to installation. Requires rough wall opening 12-1/2"W x 26-3/8"H x 6"D (fully recessed). Secure flange to rough wall opening using screws (included). Insert cabinet through flange into wall opening. Secure cabinet to framing with screws (not included) at holes provided. Shim at screw points as required.



Guide Specification

Combination napkin/tampon vendor shall be fabricated of 22 gauge stainless steel with exposed surfaces in satin finish. Door shall be fabricated of 18 gauge stainless steel with a full-length piano hinge and two tumbler locks keyed like other Bradley units. Two coin mechanisms shall permit dispensing thirty napkins and twenty-eight tampons and be available with free, \$.10, \$.25, \$.50 and \$1.00 coin operation.

Washroom Accessories
Document No. 8335

Orders composed of products indicated as **Bradex®** will be available to ship in three days after receipt of order at the factory. There is no pricing penalty for this service from Bradley.

This information is subject to change without formal notice.

Always consult local and national codes for proper installation guidelines.

Conformity and compliance to local and national codes is the responsibility of the installer.

9-30-2008

© 2008 Bradley Corporation
P.O. Box 309, Menomonee Falls, WI 53052-0309
Phone: 800.BRADLEY (800.272.3539) Fax: 262.253.4161
bradleycorp.com

Product: 401	Quantity: n/a	Date: 4/24/09
Project & Location: Gulfport, MS.		
Distributor/Wholesaler: Partitions of Gulfport		

Mirror shelf with angle frame, welded corners, integral shelf and theft-resistant mounting:

- Standard Model 7805-1824 (18" x 24") **Bradex**[®]
- Standard Model 7805-1836 (18" x 36") **Bradex**[®]
- Model 7805-XXXX (Specify width and height)

Product Materials

FRAME: one-piece, roll-formed stainless steel, 3/4" x 3/4" angle with corners welded, ground and polished smooth to a satin finish. Double strength continuous integral stiffener on all sides for added strength. Bevel on front of angle secures frame flush against mirror.

BACK: galvanized steel, secured to frame with concealed screws, equipped with integral horizontal hanging brackets.

MIRROR: first quality 1/4" float glass triple-silver-plated with electro-copper-plated layer and thermosetting infrared-cured paint backing with Poly-Glaze protective finish. Manufactured in accordance with ASTM C 1036. All edges protected by shock-absorbing, neoprene tubing.

SHELF: 18 gauge stainless steel with exposed surfaces in architectural satin finish. Flanged front and side, welded to frame.

SHELF BRACKETS: 16 gauge stainless steel are provided on units exceeding 48" width.

Optional Features

Features	Suffix
<input type="checkbox"/> 1/4" tempered glass mirror in lieu of polished float glass mirror*	-2
<input type="checkbox"/> Laminate glass	-3
<input type="checkbox"/> Highly polished No. 8 architectural finish, 20 gauge stainless steel in lieu of polished float glass mirror	-4
<input type="checkbox"/> Bright annealed 20 gauge stainless steel in lieu of polished float glass mirror	-5
<input type="checkbox"/> Plexiglass	-6

*Either the Length (L) or the Width (W) must be greater than 25".

Guide Specification

Mirror shall be framed with heavy gauge, one-piece, roll-formed, 3/4" x 3/4" stainless steel angle with double strength continuous integral stiffener. Welded corners shall be polished to a uniform satin finish. Integral 18 gauge stainless steel shelf shall have front and side flanges. Mirror shall be of first quality 1/4" float glass guaranteed for 15 years against silver spoilage and protected by a shock-absorbing, neoprene tubing with Poly-Glaze protective finish. Back of unit shall be galvanized steel secured to frame with concealed screws, equipped with integral horizontal hanging brackets and separate wall hanger for concealed mounting.

Framed Mirror and Shelf shall be Bradley Model 7805-_____ " W x _____ " H (specify width and height).

ADA Compliant

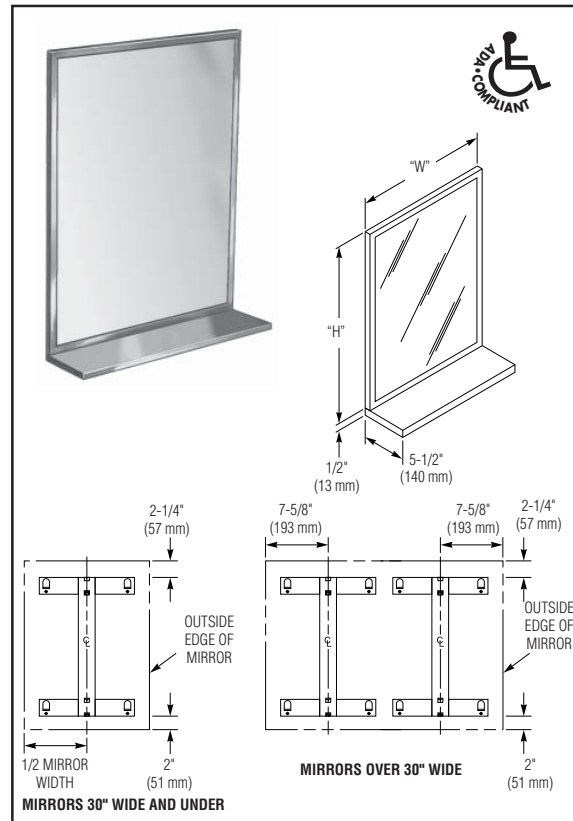
- Consult local and national accessibility codes for proper installation guidelines.
- Conformity and compliance to local and national codes is the responsibility of the installer.

**Washroom Accessories
Document No. 8780**

Page 1 of 1

This information is subject to change without formal notice.

9-30-2008



Bradex[®] Models

Width (Inches) W	Height (Inches) H	Overall Dimension (Inches)	Overall Dimensions (Millimeters)	Standard Model Number
18"	24"	18 x 24	457 x 610	7805-1324
18"	36"	18 x 36	457 x 914	7805-1836

Model 7805 series angle framed mirrors can be fabricated to fit any architectural requirement.

- An inherent characteristic of a manufacturing process for tempered glass is distortion which may vary from mirror to mirror.

Installation

Verify all rough-in dimensions prior to installation. Secure concealed mounting bracket to wall with screws (not included) at holes provided. Mounting kits available through Bradley (ref. #899-026). Refer to technical data sheet #8880. Provide in-wall backing at mounting screw locations. Position mirror over mounting bracket to engage hanger tabs. Slide mirror down and lock into position.

Orders composed of products indicated as **Bradex**[®] will be available to ship in three days after receipt of order at the factory. There is no pricing penalty for this service from Bradley.

© 2008 Bradley Corporation
P.O. Box 309, Menomonee Falls, WI 53052-0309
Phone: 800.BRADLEY (800.272.3539) Fax: 262.253.4161
bradleycorp.com

Product: 7805	Quantity: n/a	Date: 4/24/09
Project & Location: Gulfport, MS.		
Distributor/Wholesaler: Partitions of Gulfport		

Model 5831 — Surface-Mounted
Bradex®

250 Capacity

Product Materials

UNIT: 22 gauge stainless steel with exposed surfaces in architectural satin finish. Welded construction with burr-free edges.

Capacity

250 standard single-fold or half-fold toilet seat covers.

Operation

Insert seat covers through bottom of unit.

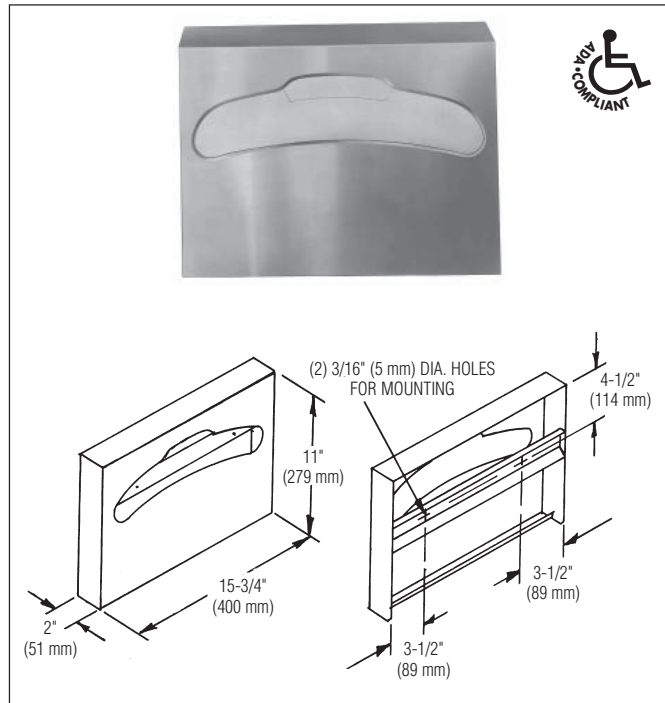
Guide Specification

Surface-mounted toilet seat cover dispenser shall be fabricated of 22-gauge stainless steel with exposed surfaces in satin finish. Capacity 250 toilet seat covers.

Overall dimensions: 15-3/4"W x 11"H x 2"D.

 **ADA Compliant**

- Consult local and national accessibility codes for proper installation guidelines.
- Conformity and compliance to local and national codes is the responsibility of the installer.



Washroom Accessories
Document No. 8565

Orders composed of products indicated as **Bradex®** will be available to ship in three days after receipt of order at the factory. There is no pricing penalty for this service from Bradley. This information is subject to change without formal notice. 9-30-2008

© 2008 Bradley Corporation
P.O. Box 309, Menomonee Falls, WI 53052-0309
Phone: 800.BRADLEY (800.272.3539) Fax: 262.253.4161
bradleycorp.com

Product: 5831	Quantity: n/a	Date: 4/24/09
Project & Location: Gulfport, MS.		
Distributor/Wholesaler: Partitions of Gulfport		

- Model 9533 – Vinyl Shower Curtain (White) **Bradex®**
- Model 9534 – Duck Shower Curtain (White)
- Model 9535 – Anti-Bacterial Shower Curtain (Green)
- Model 9537 – Anti-Bacterial Shower Curtain (White) **Bradex®**

Model 9533 Vinyl Shower Curtain

Guide Specification

Shower curtain 6 gauge vinyl material with hemmed top edges and aluminum grommets on 6" centers. White only.

Vinyl Shower Curtain shall be Bradley

Model 9533-_____ "W x _____ "H (insert size).

Model 9534 Duck Shower Curtain

Guide Specification

Shower curtain 8 ounces, 100% cotton duck material with hemmed top edges and chrome plated nickel grommets on 6" centers. White only.

Duck Shower Curtain shall be Bradley

Model 9534-_____ "W x _____ "H (insert size).

Model 9535 & 9537 Anti-Bacterial Shower Curtain

Guide Specification

Shower curtain shall be of 10 ounce nylon reinforced anti-bacterial vinyl fabric, flameproof, stain resistant, self-deodorizing, furnished with aluminum grommets on 6" centers. Ideal for hospital applications. All sides hemmed. Model 9535 is Green. Model 9537 is White.

Antibacterial Shower Curtain shall be Bradley

Model 9535, 9537-_____ "W x _____ "H (insert size).

- Shower curtains have a tolerance of +/- 1" length and +/- 2" width, all sides hemmed.

9533 **Bradex®** Models

Width	Height	Overall Dimensions (Inches)	Overall Dimensions (Millimeters)	# of 9536 Shower Hooks Required (Order Separately)
36" (914 mm)	72" (1829 mm)	36 x 72	914 x 1829	7
42" (1067 mm)	72" (1829 mm)	42 x 72	1067 x 1829	8
48" (1219 mm)	72" (1829 mm)	48 x 72	1219 x 1829	9
72" (1829 mm)	72" (1829 mm)	72 x 72	1829 x 1829	13
Other sizes available upon request.				

9537 **Bradex®** Models

Width	Height	Overall Dimensions (Inches)	Overall Dimensions (Millimeters)	# of 9536 Shower Hooks Required (Order Separately)
42" (1067 mm)	72" (1829 mm)	42 x 72	1067 x 1829	8
48" (1219 mm)	72" (1829 mm)	48 x 72	1219 x 1829	9
72" (1829 mm)	72" (1829 mm)	72 x 72	1829 x 1829	13
Other sizes available upon request.				

**Washroom Accessories
Document No. 8980**

This information is subject to change without formal notice.

Always consult local and national codes for proper installation guidelines. Conformity and compliance to local and national codes is the responsibility of the installer.

10-28-2008

Orders composed of products indicated as **Bradex®** will be available to ship in three days after receipt of order at the factory. There is no pricing penalty for this service from Bradley.

© 2008 Bradley Corporation
P.O. Box 309, Menomonee Falls, WI 53052-0309
Phone: 800.BRADLEY (800.272.3539) Fax: 262.253.4161
bradleycorp.com

Product: 9533, 9534, 9535, 9536, 9537	Quantity: n/a	Date: 4/24/09
Project & Location: Gulfport, MS.		
Distributor/Wholesaler: Partitions of Gulfport		

- Model 9953 – 3 Holders **Bradex**[®]
- Model 9954 – 4 Holders **Bradex**[®]
- Model 9955 – 5 Holders

Product Materials

BACKPLATE: 22 gauge stainless steel with exposed surfaces in architectural satin finish.

HOLDERS: spring-activated rubber cams on plated steel retainers.

Operation

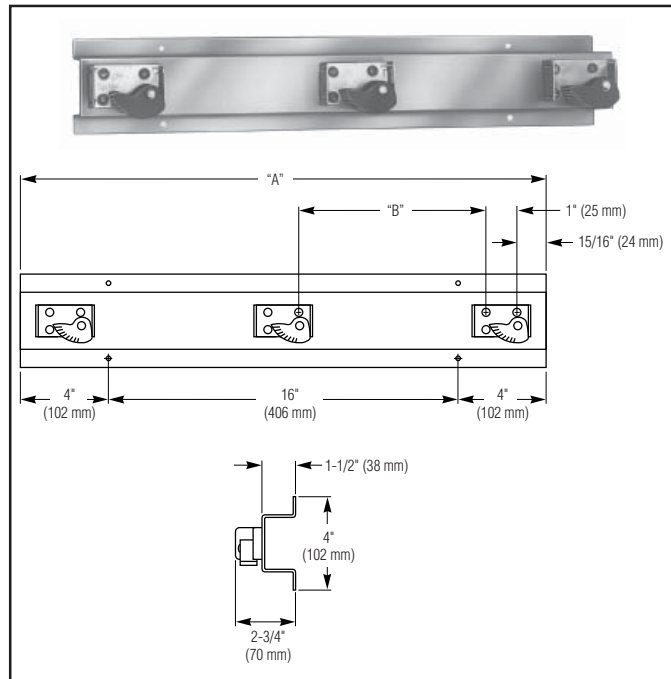
Weight of mop or broom holds handle in place.

Installation

Verify all rough-in dimensions prior to installation. Secure to wall with mounting screws (included) at holes provided.

Guide Specification

Surface mounted mop and broom holder shall be fabricated of 22 gauge stainless steel in satin finish with spring-activated rubber cam holders.



Dimensions

Model No.	Dim. "A"	Dim. "B"	Hooks
9953	24" (610 mm)	9-1/8" (232 mm)	3
9954	36" (914 mm)	9-3/4" (248 mm)	4
9955	48" (1219 mm)	10" (254 mm)	5

Washroom Accessories
Document No. 9160

Orders composed of products indicated as **Bradex**[®] will be available to ship in three days after receipt of order at the factory. There is no pricing penalty for this service from Bradley.

This information is subject to change without formal notice.

Always consult local and national codes for proper installation guidelines. Conformity and compliance to local and national codes is the responsibility of the installer.

9-30-2008

© 2008 Bradley Corporation
P.O. Box 309, Menomonee Falls, WI 53052-0309
Phone: 800.BRADLEY (800.272.3539) Fax: 262.253.4161
bradleycorp.com

Product: 9953, 9954, 9955	Quantity: n/a	Date: 4/24/09
Project & Location: Gulfport, MS.		
Distributor/Wholesaler: Partitions of Gulfport		