



E COOPER LIGHTING - LUMARK®

DESCRIPTION

The Lumark Tribute is the most versatile, functionally designed, universally adaptable outdoor luminaire available. The Tribute brings outstanding performance to walkways, parking lots, roadways, loading docks, building areas, and any security lighting application. U.L. listed and CSA certified for wet locations. IP55 Rating.

Catalog #	Type
Project	
Comments	Date
Prepared by	

SPECIFICATION FEATURES

Construction

Rugged one-piece die-cast aluminum housing and door frame. One-piece silicone gasket protects the optical chamber from performance degrading contaminants. One (1) stainless spring latch and two (2) stainless hinges allow toolless opening and removal of door frame.

Reflector

Choice of nine (9) high efficiency optical distributions, including five (5) segmented optical systems constructed of premium 95% reflective anodized aluminum sheet. Optical segments are rigidly mounted inside a thick gauge aluminum housing for superior protection. All segment faces are clean of rivet heads, tabs or other means of attachment which may cause streaking in the light distribution. Optical modules are

field rotatable in 90° increments and offered standard with mogul-base lampholders for 150-400W assemblies or medium-base lampholders for 100W and below.

Electrical

Ballast and related electrical componentry are hard mounted to die-cast housing for optimal heat transfer and operating efficiency. Optional swing-down galvanized steel power tray with integral handle and quick disconnects allows tray to be completely removed from housing providing ample room for fixture installation and maintenance.

Mounting

Extruded 8" aluminum arm features internal bolt guides for easy positioning of fixture during installation to pole or wall surface.

Standard single carton packaging of housing, square pole arm and round pole adapter allow for consolidated product arrival to site. Optional internal mast arm mount accepts a 1 1/4" to 2 3/8" O.D. horizontal tenon, while a 4-bolt clamping mechanism secures fixture. Cast-in leveling guides provide +/-5° vertical leveling adjustment.

Finish

Housing and arm finished in a 5 stage premium TGIC bronze polyester powder coat paint. Optional colors include black, grey, white, dark platinum and graphite metallic. RAL and custom color matches available.



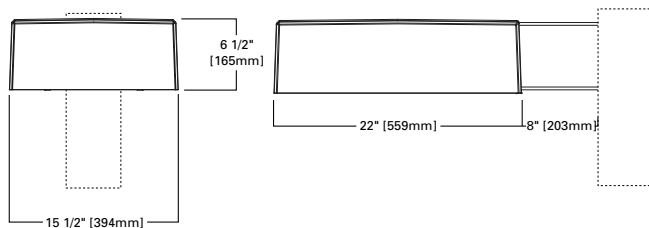
**TR
TRIBUTE**

70 - 400W
High Pressure Sodium
Pulse Start Metal Halide
Metal Halide

AREA LUMINAIRE

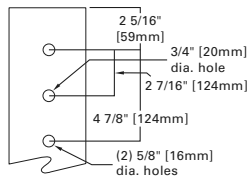


DIMENSIONS

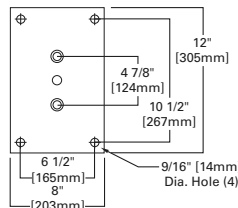


DRILLING PATTERNS

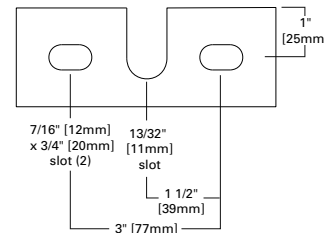
TYPE "M"



WALL MOUNT



TRUNNION MOUNT



TECHNICAL DATA

UL Wet Locations Listed
CSA Certified
IP55 Rated
EISA Compliant ⓔ

ENERGY DATA

Hi-Reactance Ballast Input Watts

70W HPS HPF (95 Watts)
100W HPS HPF (130 Watts)
150W HPS HPF (190 Watts)
150W MP HPF (185 Watts)

CWI Ballast Input Watts

250W HPS HPF (300 Watts)

CWA Ballast Input Watts

175W MH HPF (210 Watts)
200W MP HPF (227 Watts) ⓔ
200W HPS HPF (250 Watts)
250W MH HPF (295 Watts)
250W MP HPF (283 Watts) ⓔ
320W MP HPF (365 Watts) ⓔ
350W MP HPF (397 Watts) ⓔ
400W MP HPF (452 Watts) ⓔ
400W MH HPF (455 Watts)
400W HPS HPF (465 Watts)

EPA

Effective Projected Area: (Sq. Ft.)

Without Arm: 1.19

SHIPPING DATA

Approximate Net Weight:
39 lbs. (17.73 kgs.)





TR TRIBUTE

ORDERING INFORMATION

Sample Number: MHTR-SL-400-MT-LL

--	--	--	--	--	--

Lamp Type

MP = Pulse Start Metal Halide
MH = Metal Halide
HP = High Pressure Sodium

Series

TR = Tribute (Arm Included)

Distribution

2F = Type II Formed
2S = Type II Segmented
3F = Type III Formed
3S = Type III Segmented
4F = Type IV Formed
4S = Type IV Segmented
5F = Type V Formed
5S = Type V Segmented
SL = Spill Light Eliminator

Lamp Wattage

MP
70 = 100W
100 = 100W
150 = 150W
200 = 200W
250 = 250W
320 = 320W
350 = 350W
400 = 400W
MH
175 = 175W
250 = 250W
400 = 400W
HPS
70 = 70W
100 = 100W
150 = 150W
250 = 250W
400 = 400W

Voltage

120V = 120V
208V = 208V
240V = 240V
277V = 277V
347V = 347V
480V = 480V
DT = Dual-Tap
MT = Multi-Tap, wired 277V
TT = Triple-Tap, wired 347V
5T = 5 Tap Wired 480V

Options

F1 = Single Fuse (120, 277 or 347V only)
F2 = Double Fuse (208, 240 or 480V only)
Q = Quartz Restrike (Hot Strike Only)
EM = Quartz Restrike with "Delay Relay" (Quartz lamp strikes at both hot and cold starts)
EM/SC = Emergency Separate Circuit
LL = Lamp Included
S = 1 1/4" - 2 3/8" Internal Mast Arm Mount
TM = Trunnion Mount
PT = Electrical Power Tray
HS = House Side Cutoff
LA = Less Arm (Order Mounting Separately)
PER = NEMA Twistlock Photocontrol Receptacle
PC = Button Type Photocontrol
WH = White
BK = Black
AP = AP Grey
DP = Dark Platinum
GM = Graphite Metallic

Accessories

MA1201-XX = Direct Wall Mount Kit
MA1218-XX = Direct Mount for Pole
MA1219-XX = Wall Mounting Plate
OA1090-XX = Adjustable slipfitter Arm for Tenon Mount 2 3/8" O.D.
MA1221-XX = External House Side Shield Kit (EPA= 0.38)
MA1222 = Internal House Side Shield Kit for 2S/3S
MA1223 = Internal House Side Shield Kit 4S
MA1224 = Internal House Side Shield Kit for 2F/3F
MA1225 = Internal House Side Shield Kit for 4F
MA1010-XX = Single Tenon Adapter for 3 1/2" O.D. Tenon
MA1011-XX = 2 @ 180 degrees Tenon Adapter for 3 1/2" O.D. Tenon
MA1012-XX = 3 @ 120 degrees Tenon Adapter for 3 1/2" O.D. Tenon
MA1013-XX = 4 @ 90 degrees Tenon Adapter for 3 1/2" O.D. Tenon
MA1014-XX = 2 @ 90 degrees Tenon Adapter for 3 1/2" O.D. Tenon
MA1015-XX = 2 @ 120 degrees Tenon Adapter for 3 1/2" O.D. Tenon
MA1016-XX = 3 @ 90 degrees Tenon Adapter for 3 1/2" O.D. Tenon
MA1017-XX = Single Tenon Adapter for 2 3/8" O.D. Tenon
MA1018-XX = 2 @ 180 degrees Tenon Adapter for 2 3/8" O.D. Tenon
MA1019-XX = 3 @ 120 degrees Tenon Adapter for 2 3/8" O.D. Tenon
MA1045-XX = 4 @ 90 degrees Tenon Adapter for 2 3/8" O.D. Tenon
MA1048-XX = 2 @ 90 degrees Tenon Adapter for 2 3/8" O.D. Tenon
MA1049-XX = 3 @ 90 degrees Tenon Adapter for 2 3/8" O.D. Tenon
OARA1016 = Photoelectric Control 105-285V NEMA Type
OARA1027 = Photoelectric Control 480V NEMA Type
OA/RA1021 = Photoelectric Control 347V NEMA Type
OARA1013 = Shorting Cap
TR/VS = Field Installed Vandal Shield

1 8 Inch Arm and pole adapter included with fixture. Specify Less Arm "LA" option when mounting accessory is ordered separately.
2 Standard with mogul-base socket for 150-400W and medium-base socket 100W and below.
3 175W, 250W, 400W MH available for non-US markets only.
4 Requires reduced envelope lamp.
5 Products also available in non-US voltages and 50HZ for international markets. Consult factory for availability and ordering information. 5T only available in 400W MH.
6 88% Efficient EISA Compliant MP fixtures not available in 347V or TT voltages.
7 Custom and RAL color matching available upon request. Consult Cooper Lighting Representative for further information.
8 Add as a suffix.
9 Must specify voltage.
10 Quartz options not available with SL optics.
11 House side shield not available on 5S, 5F, or SL optics.
12 Order separately replace XX with color specification.
13 Not available with SLE or House Side Shield.

STOCK SAMPLE NUMBER (Lamp Included)

SAMPLE NUMBER: MPTR2340

MP	TR	23	
-----------	-----------	-----------	--

Lamp Type

MP = Pulse Start Metal Halide
HP = High Pressure Sodium

Series

TR = Tribute

Distribution

23 = Type II/III Formed

Lamp Wattage

15 = 150W
25 = 250W
32 = 320W
40 = 400W

NOTES:

1 Short logic fixtures are finished bronze include multi-tap ballast, lamp, arm and round pole adapter. Other options not available. Refer to standard ordering logic. 2 Available in 150, 250 and 400 Watt. Refer to In Stock Guide for availability.

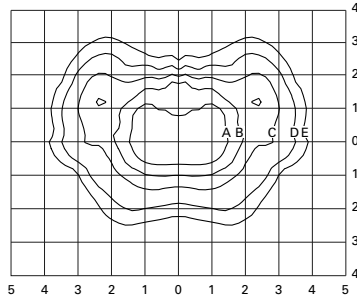
LAMP TYPE	WATTAGE
Pulse Start Metal Halide	70, 100, 150, 250, 320, 350, 400W
Metal Halide	175, 250, 400W
High Pressure Sodium	70, 100, 150, 250, 400W

VOLTAGE CHART

DT = Dual-Tap	120/277 (wired 277V)
MT = Multi-Tap	120/208/240/277 (wired 277V)
TT = Triple-Tap	120/277/347 (wired 347V)
5T = 5-Tap	120/208/240/277/480 (wired 480V)



PHOTOMETRICS [Complete IES files available at www.cooperlighting.com]

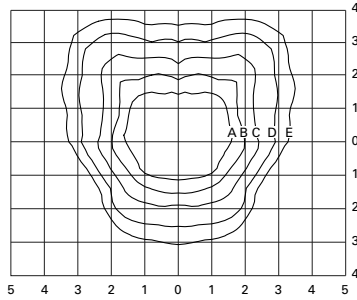


MPTR-3S-320
320—Watt MP
30,000—Lumen Clear Lamp
Type III Segmented

Footcandle Table

Select mounting height and read across for footcandle values of each isofootcandle line. Distance in units of mounting height.

Mounting Height	Footcandle Values for Isofootcandle Lines				
	A	B	C	D	E
20'	3.00	1.50	0.75	0.30	0.15
25'	2.00	1.00	0.50	0.20	0.10
30'	1.38	0.69	0.34	0.13	0.06

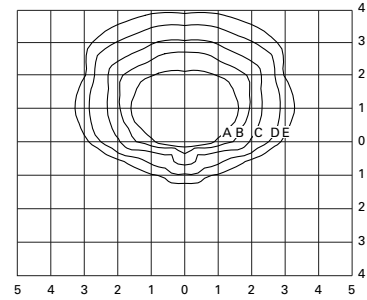


MPTR-4S-400
400—Watt MP
40,000—Lumen Clear Lamp
Type IV Segmented

Footcandle Table

Select mounting height and read across for footcandle values of each isofootcandle line. Distance in units of mounting height.

Mounting Height	Footcandle Values for Isofootcandle Lines				
	A	B	C	D	E
20'	3.00	1.50	0.75	0.30	0.15
25'	2.00	1.00	0.50	0.20	0.10
30'	1.38	0.69	0.34	0.13	0.06



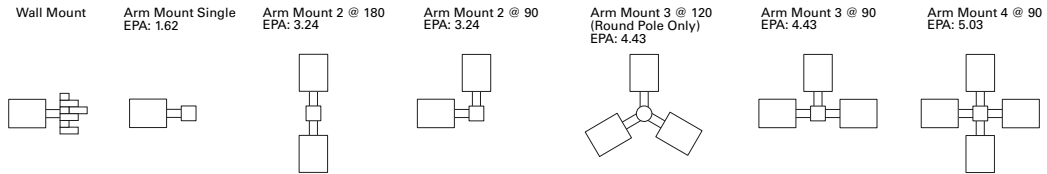
MPTR-SL-400
400—Watt MP
40,000—Lumen Clear Lamp
Spill Light Eliminator

Footcandle Table

Select mounting height and read across for footcandle values of each isofootcandle line. Distance in units of mounting height.

Mounting Height	Footcandle Values for Isofootcandle Lines				
	A	B	C	D	E
20'	3.00	1.50	0.75	0.30	0.15
25'	2.00	1.00	0.50	0.20	0.10
30'	1.38	0.69	0.34	0.13	0.06

MOUNTING CONFIGURATIONS





Job Name:
Riverine & Combatant -

Catalog Number:
RTA-845303-DX-BRZ

Notes:

Type:

K

WK08-1600

ALUMINUM LIGHTING STANDARDS UNITED LIGHTING STANDARDS, INC.

23171 Groesbeck Hwy. • Warren, MI 48089
Tel: 586/774-5650 FAX: 586/774-5706

Aluminum Light Pole

Specifications

Pole Shaft

Shaft material for aluminum poles is 6063 alloy and tempered to meet the Aluminum Association T6 standards. All pole shafts tapered and non-tapered are of one-piece, seamless tubing with no long seam or circumferential welds, other than the anchor base to shaft weld.

Anchor Base

Bases cast from A356 aluminum alloy and tempered to Aluminum Association T6 standards are used for all tapered and non-tapered poles.

Base

Bases for 4, 5 and 6-inch square and round poles have tamper-proof closures offering a clean, aesthetic appearance. On 7 and 8-inch round poles, nut covers are supplied as standard.

Anchor Bolts

Anchor bolts are fabricated from structural quality, hot rolled carbon steel bar, having a minimum yield strength of 50,000 psi. Bolts have an "L" bend on the end. The threads plus 3 inches are galvanized. Anchor bolts come with two nuts and washers.

Handhole

An extruded handhole to facilitate ease of wiring is standard. A cover with tamper resistant hardware is provided.

Finish

Standard finish is dark bronze (DB) powder coat. Also available as standard in powder coat is black. Optional powder coat finishes include grey (GR), silver (SL) and white (WH).

Mounting Configuration

Pole top tenons or side mount drilling for 1 to 4 fixtures is available. We reserve the right to use a pole top adaptor for the use of direct mounting of fixtures as deemed necessary.

Vibration Dampeners

Vibration dampeners are available as an option. They are suggested for use on poles 30 feet and over.

Aluminum Light Pole Specifications



Job Name:
Riverine & Combatant -

Catalog Number:
RTA-845303-DX-BRZ

Notes:

Type:

K

WK08-1600

DESIGN RTA

UNITED LIGHTING STANDARDS, INC.

23171 Groesbeck Hwy. • Warren, MI 48089

Tel: 586/774-5650 FAX: 586/774-5706

Pole Shaft Specifications

The shaft is spun tapered from all new seamless 6063 alloy aluminum tubing and heat-treated to produce a T6 temper. Each shaft has a 6" long straight section at the top which may be drilled to manufacturer's specifications for mounting luminaires.* The shaft is gracefully cone tapered to the butt diameter.

*We reserve the right to use a pole top adaptor for the use of direct mounting of fixtures as deemed necessary.

Anchor Base

Cast from A356 alloy aluminum, the anchor base shall be heat-treated to produce a T6 condition. The shaft shall be inserted into the anchor base casting. The anchor base casting and shaft shall be joined by a continuous circumferential weld at the outside top and inside bottom of the anchor base. Aluminum nut covers are supplied to cover exposed bolt and nut.

Drill Mount for 2 fixtures
Bronze finish

Round Tapered Aluminum Poles

Catalog No.	Mounting Height (Ft.)	*Effective Projected Area (Sq. Ft.)				Shaft Size		Wall Thickness	Bolt Circle (")	Bolt Size (")	Base Plate Size (L x W)
		80	90	100	120	Butt (")	Top (")				
RTA-745202	20	15.9	12.2	9.7	6.2	7	4.5	.156	10.5	1 x 40	11.5 x 11.5
RTA-745222	22	12.3	9.2	7.2	4.7	7	4.5	.156	10.5	1 x 40	11.5 x 11.5
RTA-745252	25	10.3	7.6	5.9	3.7	7	4.5	.156	10.5	1 x 40	11.5 x 11.5
RTA-845252	25	15.3	11.7	9.2	5.7	8	4.5	.156	11.5	1 x 40	12.0 x 12.0
RTA-845272	27	12.0	9.2	7.1	4.1	8	4.5	.156	11.5	1 x 40	12.0 x 12.0
RTA-845273	27	15.6	11.9	9.4	6.0	8	4.5	.188	11.5	1 x 40	12.0 x 12.0
RTA-845302	30	10.2	7.7	5.9	3.5	8	4.5	.156	11.5	1 x 40	12.0 x 12.0
RTA-845303	30	13.3	10.4	7.9	5.0	8	4.5	.188	11.5	1 x 40	12.0 x 12.0
RTA-845304	30	19.4	14.9	11.7	7.4	8	4.5	.250	11.5	1 x 40	12.0 x 12.0
RTA-845353	35	9.2	6.8	5.1	2.8	8	4.5	.188	11.5	1 x 40	12.0 x 12.0
RTA-845354	35	14.1	10.7	8.3	4.9	8	4.5	.250	11.5	1 x 40	12.0 x 12.0
RTA-845393	39	6.5	4.6	3.2	1.4	8	4.5	.188	11.5	1 x 40	12.0 x 12.0
RTA-845394	39	10.8	7.9	6.1	3.3	8	4.5	.250	11.5	1 x 40	12.0 x 12.0

*EPA ratings include 1.3 gust factor.

Anchor Bolts should be set using factory supplied anchor bolt templates.

Vibration dampeners are suggested for poles 30 feet and above.

Round Tapered Aluminum Poles 20-39 Ft.



(E) COOPER LIGHTING - LUMARK®

DESCRIPTION

The Lumark Tribute is the most versatile, functionally designed, universally adaptable outdoor luminaire available. The Tribute brings outstanding performance to walkways, parking lots, roadways, loading docks, building areas, and any security lighting application. U.L. listed and CSA certified for wet locations. IP55 Rating.

Catalog #	Type
Project	
Comments	Date
Prepared by	

SPECIFICATION FEATURES

Construction

Rugged one-piece die-cast aluminum housing and door frame. One-piece silicone gasket protects the optical chamber from performance degrading contaminants. One (1) stainless spring latch and two (2) stainless hinges allow toolless opening and removal of door frame.

Reflector

Choice of nine (9) high efficiency optical distributions, including five (5) segmented optical systems constructed of premium 95% reflective anodized aluminum sheet. Optical segments are rigidly mounted inside a thick gauge aluminum housing for superior protection. All segment faces are clean of rivet heads, tabs or other means of attachment which may cause streaking in the light distribution. Optical modules are

field rotatable in 90° increments and offered standard with mogul-base lampholders for 150-400W assemblies or medium-base lampholders for 100W and below.

Electrical

Ballast and related electrical componentry are hard mounted to die-cast housing for optimal heat transfer and operating efficiency. Optional swing-down galvanized steel power tray with integral handle and quick disconnects allows tray to be completely removed from housing providing ample room for fixture installation and maintenance.

Mounting

Extruded 8" aluminum arm features internal bolt guides for easy positioning of fixture during installation to pole or wall surface.

Standard single carton packaging of housing, square pole arm and round pole adapter allow for consolidated product arrival to site. Optional internal mast arm mount accepts a 1 1/4" to 2 3/8" O.D. horizontal tenon, while a 4-bolt clamping mechanism secures fixture. Cast-in leveling guides provide +/-5° vertical leveling adjustment.

Finish

Housing and arm finished in a 5 stage premium TGIC bronze polyester powder coat paint. Optional colors include black, grey, white, dark platinum and graphite metallic. RAL and custom color matches available.



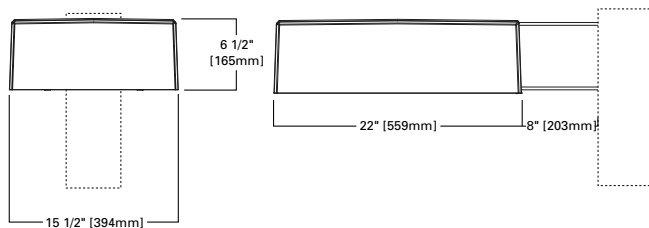
**TR
TRIBUTE**

70 - 400W
High Pressure Sodium
Pulse Start Metal Halide
Metal Halide

AREA LUMINAIRE

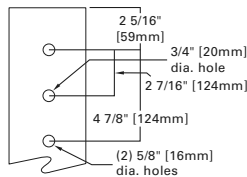


DIMENSIONS

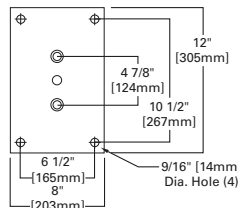


DRILLING PATTERNS

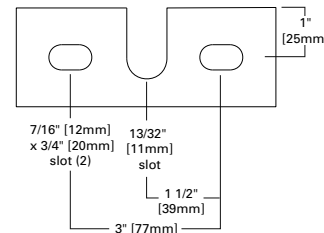
TYPE "M"



WALL MOUNT



TRUNNION MOUNT



TECHNICAL DATA

UL Wet Locations Listed
CSA Certified
IP55 Rated
EISA Compliant ⓔ

ENERGY DATA

Hi-Reactance Ballast Input Watts

70W HPS HPF (95 Watts)
100W HPS HPF (130 Watts)
150W HPS HPF (190 Watts)
150W MP HPF (185 Watts)

CWI Ballast Input Watts

250W HPS HPF (300 Watts)

CWA Ballast Input Watts

175W MH HPF (210 Watts)
200W MP HPF (227 Watts) ⓔ
200W HPS HPF (250 Watts)
250W MH HPF (295 Watts)
250W MP HPF (283 Watts) ⓔ
320W MP HPF (365 Watts) ⓔ
350W MP HPF (397 Watts) ⓔ
400W MP HPF (452 Watts) ⓔ
400W MH HPF (455 Watts)
400W HPS HPF (465 Watts)

EPA

Effective Projected Area: (Sq. Ft.)

Without Arm: 1.19

SHIPPING DATA

Approximate Net Weight:
39 lbs. (17.73 kgs.)





TR TRIBUTE

ORDERING INFORMATION

Sample Number: MHTR-SL-400-MT-LL

--	--	--	--	--	--

Lamp Type

MP = Pulse Start Metal Halide
MH = Metal Halide
HP = High Pressure Sodium

Series ¹

TR = Tribute (Arm Included)

Distribution

2F = Type II Formed
2S = Type II Segmented
3F = Type III Formed
3S = Type III Segmented
4F = Type IV Formed
4S = Type IV Segmented
5F = Type V Formed
5S = Type V Segmented
SL = Spill Light Eliminator

Lamp Wattage ²

MP
70 = 100W
100 = 100W
150 = 150W
200 = 200W
250 = 250W
320 = 320W
350 = 350W
400 = 400W
MH ³
175 = 175W
250 = 250W
400 = 400W
HPS
70 = 70W
100 = 100W
150 = 150W
250 = 250W
400 = 400W

Voltage ⁵

120V = 120V
208V = 208V
240V = 240V
277V = 277V
347V = 347V ⁶
480V = 480V
DT = Dual-Tap
MT = Multi-Tap, wired 277V
TT = Triple-Tap, ⁶ wired 347V
5T = 5 Tap Wired ⁵ 480V

Options ^{7,8}

F1 = Single Fuse (120, 277 or 347V ⁹ only)
F2 = Double Fuse (208, 240 or 480V ⁹ only)
Q = Quartz Restrike (Hot Strike ¹⁰ Only)
EM = Quartz Restrike with "Delay ¹⁰ Relay" (Quartz lamp strikes at both hot and cold starts)
EM/SC = Emergency Separate ¹⁰ Circuit
LL = Lamp Included
S = 1 1/4" - 2 3/8" Internal Mast Arm Mount
TM = Trunnion Mount
PT = Electrical Power Tray
HS = House Side Cutoff ¹¹
LA = Less Arm (Order Mounting Separately)
PER = NEMA Twistlock Photocontrol Receptacle
PC = Button Type Photocontrol
WH = White
BK = Black
AP = AP Grey
DP = Dark Platinum
GM = Graphite Metallic

Accessories ¹²

MA1201-XX = Direct Wall Mount Kit ¹
MA1218-XX = Direct Mount for Pole ¹
MA1219-XX = Wall Mounting Plate
OA1090-XX = Adjustable slipfitter Arm for Tenon Mount 2 3/8" O.D. ¹
MA1221-XX = External House Side Shield Kit (EPA= 0.38)
MA1222 = Internal House Side Shield Kit for 2S/3S
MA1223 = Internal House Side Shield Kit 4S
MA1224 = Internal House Side Shield Kit for 2F/3F
MA1225 = Internal House Side Shield Kit for 4F
MA1010-XX = Single Tenon Adapter for 3 1/2" O.D. Tenon
MA1011-XX = 2 @ 180 degrees Tenon Adapter for 3 1/2" O.D. Tenon
MA1012-XX = 3 @ 120 degrees Tenon Adapter for 3 1/2" O.D. Tenon
MA1013-XX = 4 @ 90 degrees Tenon Adapter for 3 1/2" O.D. Tenon
MA1014-XX = 2 @ 90 degrees Tenon Adapter for 3 1/2" O.D. Tenon
MA1015-XX = 2 @ 120 degrees Tenon Adapter for 3 1/2" O.D. Tenon
MA1016-XX = 3 @ 90 degrees Tenon Adapter for 3 1/2" O.D. Tenon
MA1017-XX = Single Tenon Adapter for 2 3/8" O.D. Tenon
MA1018-XX = 2 @ 180 degrees Tenon Adapter for 2 3/8" O.D. Tenon
MA1019-XX = 3 @ 120 degrees Tenon Adapter for 2 3/8" O.D. Tenon
MA1045-XX = 4 @ 90 degrees Tenon Adapter for 2 3/8" O.D. Tenon
MA1048-XX = 2 @ 90 degrees Tenon Adapter for 2 3/8" O.D. Tenon
MA1049-XX = 3 @ 90 degrees Tenon Adapter for 2 3/8" O.D. Tenon
OARA1016 = Photoelectric Control 105-285V NEMA Type
OARA1027 = Photoelectric Control 480V NEMA Type
OA/RA1021 = Photoelectric Control 347V NEMA Type
OARA1013 = Shorting Cap
TR/VS = Field Installed Vandal Shield ¹³

- 1 8 Inch Arm and pole adapter included with fixture. Specify Less Arm "LA" option when mounting accessory is ordered separately.
- 2 Standard with mogul-base socket for 150-400W and medium-base socket 100W and below.
- 3 175W, 250W, 400W MH available for non-US markets only.
- 4 Requires reduced envelope lamp.
- 5 Products also available in non-US voltages and 50HZ for international markets. Consult factory for availability and ordering information. 5T only available in 400W MH.
- 6 88% Efficient EISA Compliant MP fixtures not available in 347V or TT voltages.
- 7 Custom and RAL color matching available upon request. Consult Cooper Lighting Representative for further information.
- 8 Add as a suffix.
- 9 Must specify voltage.
- 10 Quartz options not available with SL optics.
- 11 House side shield not available on 5S, 5F, or SL optics.
- 12 Order separately/replace XX with color specification.
- 13 Not available with SLE or House Side Shield.

STOCK SAMPLE NUMBER (Lamp Included)

SAMPLE NUMBER: MPTR2340

MP	TR	23	
-----------	-----------	-----------	--

Lamp Type

MP = Pulse Start Metal Halide
HP = High Pressure Sodium ²

Series ¹

TR = Tribute

Distribution

23 = Type II/III Formed

Lamp Wattage

15=150W
25=250W
32=320W
40=400W

NOTES:

¹ Short logic fixtures are finished bronze include multi-tap ballast, lamp, arm and round pole adapter. Other options not available. Refer to standard ordering logic. ² Available in 150, 250 and 400 Watt. Refer to In Stock Guide for availability.

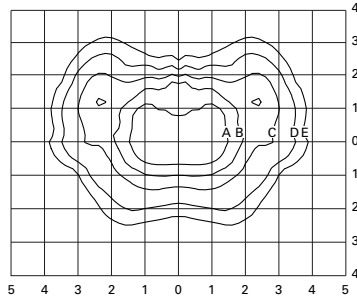
LAMP TYPE	WATTAGE
Pulse Start Metal Halide	70, 100, 150, 250, 320, 350, 400W
Metal Halide	175, 250, 400W
High Pressure Sodium	70, 100, 150, 250, 400W

VOLTAGE CHART

DT=Dual-Tap	120/277 (wired 277V)
MT=Multi-Tap	120/208/240/277 (wired 277V)
TT=Triple-Tap	120/277/347 (wired 347V)
5T=5-Tap	120/208/240/277/480 (wired 480V)



PHOTOMETRICS [Complete IES files available at www.cooperlighting.com]

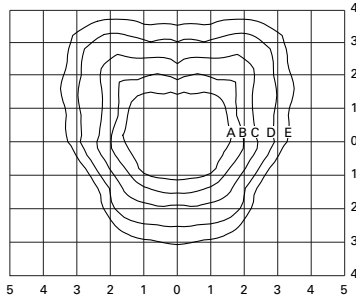


MPTR-3S-320
320—Watt MP
30,000—Lumen Clear Lamp
Type III Segmented

Footcandle Table

Select mounting height and read across for footcandle values of each isofootcandle line. Distance in units of mounting height.

Mounting Height	Footcandle Values for Isofootcandle Lines				
	A	B	C	D	E
20'	3.00	1.50	0.75	0.30	0.15
25'	2.00	1.00	0.50	0.20	0.10
30'	1.38	0.69	0.34	0.13	0.06

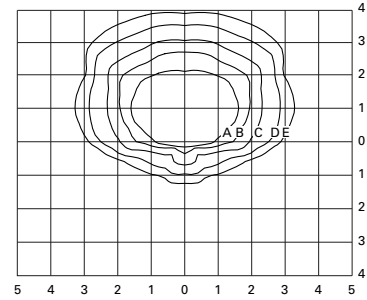


MPTR-4S-400
400—Watt MP
40,000—Lumen Clear Lamp
Type IV Segmented

Footcandle Table

Select mounting height and read across for footcandle values of each isofootcandle line. Distance in units of mounting height.

Mounting Height	Footcandle Values for Isofootcandle Lines				
	A	B	C	D	E
20'	3.00	1.50	0.75	0.30	0.15
25'	2.00	1.00	0.50	0.20	0.10
30'	1.38	0.69	0.34	0.13	0.06



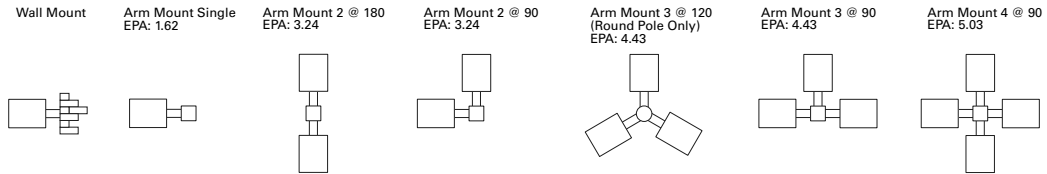
MPTR-SL-400
400—Watt MP
40,000—Lumen Clear Lamp
Spill Light Eliminator

Footcandle Table

Select mounting height and read across for footcandle values of each isofootcandle line. Distance in units of mounting height.

Mounting Height	Footcandle Values for Isofootcandle Lines				
	A	B	C	D	E
20'	3.00	1.50	0.75	0.30	0.15
25'	2.00	1.00	0.50	0.20	0.10
30'	1.38	0.69	0.34	0.13	0.06

MOUNTING CONFIGURATIONS





Job Name:
Riverine & Combatant -

Catalog Number:
RTA-845303-DX-BRZ

Notes:

Type:

L

WK08-1600

ALUMINUM LIGHTING STANDARDS UNITED LIGHTING STANDARDS, INC.

23171 Groesbeck Hwy. • Warren, MI 48089
Tel: 586/774-5650 FAX: 586/774-5706

Aluminum Light Pole

Specifications

Pole Shaft

Shaft material for aluminum poles is 6063 alloy and tempered to meet the Aluminum Association T6 standards. All pole shafts tapered and non-tapered are of one-piece, seamless tubing with no long seam or circumferential welds, other than the anchor base to shaft weld.

Anchor Base

Bases cast from A356 aluminum alloy and tempered to Aluminum Association T6 standards are used for all tapered and non-tapered poles.

Base

Bases for 4, 5 and 6-inch square and round poles have tamper-proof closures offering a clean, aesthetic appearance. On 7 and 8-inch round poles, nut covers are supplied as standard.

Anchor Bolts

Anchor bolts are fabricated from structural quality, hot rolled carbon steel bar, having a minimum yield strength of 50,000 psi. Bolts have an "L" bend on the end. The threads plus 3 inches are galvanized. Anchor bolts come with two nuts and washers.

Handhole

An extruded handhole to facilitate ease of wiring is standard. A cover with tamper resistant hardware is provided.

Finish

Standard finish is dark bronze (DB) powder coat. Also available as standard in powder coat is black. Optional powder coat finishes include grey (GR), silver (SL) and white (WH).

Mounting Configuration

Pole top tenons or side mount drilling for 1 to 4 fixtures is available. We reserve the right to use a pole top adaptor for the use of direct mounting of fixtures as deemed necessary.

Vibration Dampeners

Vibration dampeners are available as an option. They are suggested for use on poles 30 feet and over.

Aluminum Light Pole Specifications



Job Name:
Riverine & Combatant -

Catalog Number:
RTA-845303-DX-BRZ

Notes:

Type:

L

WK08-1600

DESIGN RTA

UNITED LIGHTING STANDARDS, INC.

23171 Groesbeck Hwy. • Warren, MI 48089

Tel: 586/774-5650 FAX: 586/774-5706

Pole Shaft Specifications

The shaft is spun tapered from all new seamless 6063 alloy aluminum tubing and heat-treated to produce a T6 temper. Each shaft has a 6" long straight section at the top which may be drilled to manufacturer's specifications for mounting luminaires.* The shaft is gracefully cone tapered to the butt diameter.

*We reserve the right to use a pole top adaptor for the use of direct mounting of fixtures as deemed necessary.

Anchor Base

Cast from A356 alloy aluminum, the anchor base shall be heat-treated to produce a T6 condition. The shaft shall be inserted into the anchor base casting. The anchor base casting and shaft shall be joined by a continuous circumferential weld at the outside top and inside bottom of the anchor base. Aluminum nut covers are supplied to cover exposed bolt and nut.

Drill Mount for 2 fixtures
Bronze finish

Round Tapered Aluminum Poles

Catalog No.	Mounting Height (Ft.)	*Effective Projected Area (Sq. Ft.)				Shaft Size		Wall Thickness	Bolt Circle (")	Bolt Size (")	Base Plate Size (L x W)
		80	90	100	120	Butt (")	Top (")				
RTA-745202	20	15.9	12.2	9.7	6.2	7	4.5	.156	10.5	1 x 40	11.5 x 11.5
RTA-745222	22	12.3	9.2	7.2	4.7	7	4.5	.156	10.5	1 x 40	11.5 x 11.5
RTA-745252	25	10.3	7.6	5.9	3.7	7	4.5	.156	10.5	1 x 40	11.5 x 11.5
RTA-845252	25	15.3	11.7	9.2	5.7	8	4.5	.156	11.5	1 x 40	12.0 x 12.0
RTA-845272	27	12.0	9.2	7.1	4.1	8	4.5	.156	11.5	1 x 40	12.0 x 12.0
RTA-845273	27	15.6	11.9	9.4	6.0	8	4.5	.188	11.5	1 x 40	12.0 x 12.0
RTA-845302	30	10.2	7.7	5.9	3.5	8	4.5	.156	11.5	1 x 40	12.0 x 12.0
RTA-845303	30	13.3	10.4	7.9	5.0	8	4.5	.188	11.5	1 x 40	12.0 x 12.0
RTA-845304	30	19.4	14.9	11.7	7.4	8	4.5	.250	11.5	1 x 40	12.0 x 12.0
RTA-845353	35	9.2	6.8	5.1	2.8	8	4.5	.188	11.5	1 x 40	12.0 x 12.0
RTA-845354	35	14.1	10.7	8.3	4.9	8	4.5	.250	11.5	1 x 40	12.0 x 12.0
RTA-845393	39	6.5	4.6	3.2	1.4	8	4.5	.188	11.5	1 x 40	12.0 x 12.0
RTA-845394	39	10.8	7.9	6.1	3.3	8	4.5	.250	11.5	1 x 40	12.0 x 12.0

*EPA ratings include 1.3 gust factor.

Anchor Bolts should be set using factory supplied anchor bolt templates.

Vibration dampeners are suggested for poles 30 feet and above.

Round Tapered Aluminum Poles 20-39 Ft.