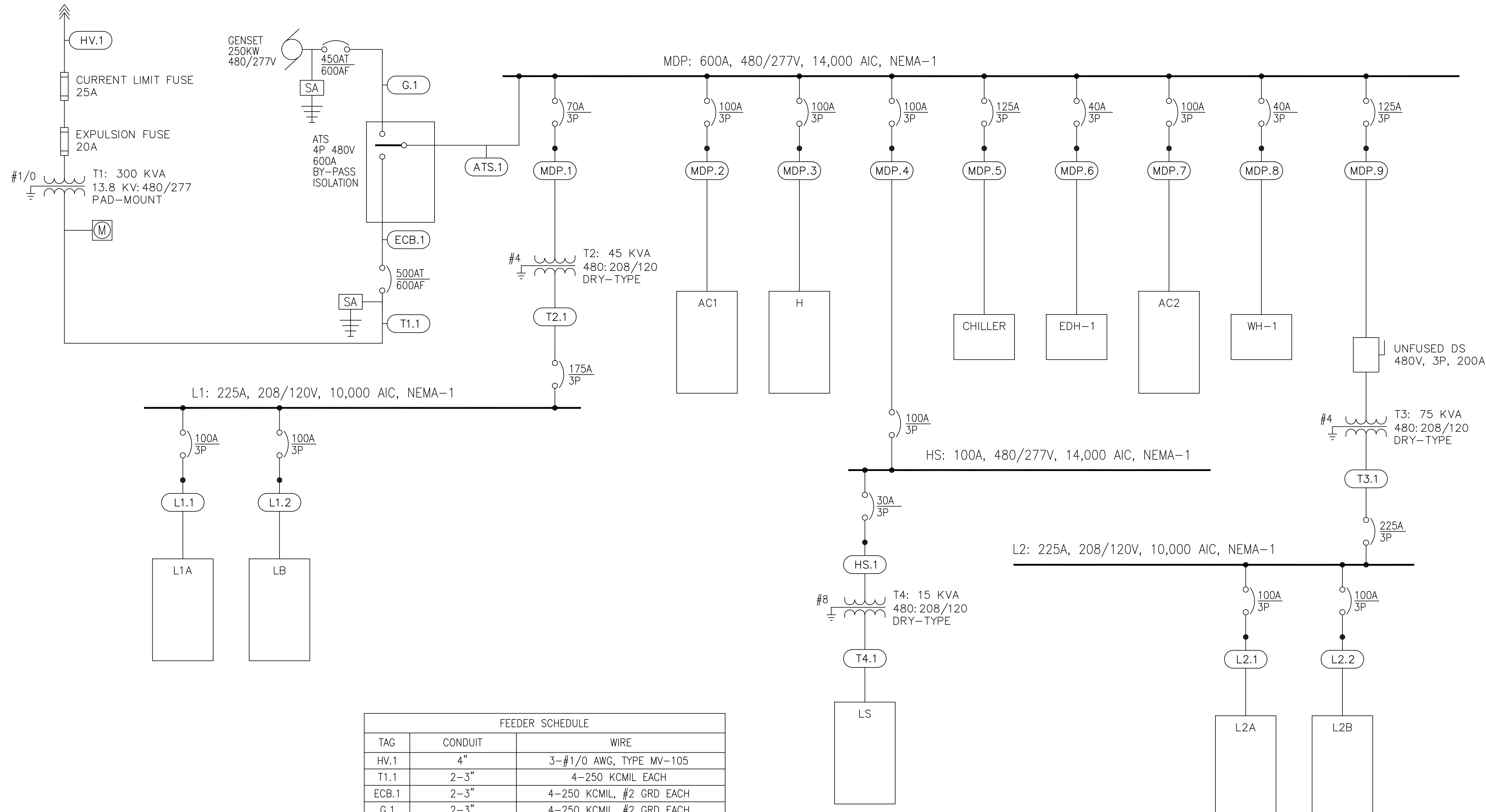


REVDATE: FILE NAME: C:\Schlafly\ENGR 08010_SOF Riverrine Drawings Elec-5-Ag-buils-E1.0.dwg LAYOUT NAME: E1.1 PLOTTED: Friday, May 28, 2010 - 3:03pm



FEEDER SCHEDULE		
TAG	CONDUIT	WIRE
HV.1	4"	3-#1/0 AWG, TYPE MV-105
T1.1	2-3"	4-250 KCMIL EACH
ECB.1	2-3"	4-250 KCMIL, #2 GRD EACH
G.1	2-3"	4-250 KCMIL, #2 GRD EACH
ATS.1	2-3"	4-250 KCMIL, #2 GRD EACH
MDP.1	1"	3-#4 AWG, 1-#8 GRD
MDP.2	1-1/2"	4-#2 AWG, 1-#8 GRD
MDP.3	1-1/2"	4-#2 AWG, 1-#8 GRD
MDP.4	1-1/2"	4-#2 AWG, 1-#8 GRD
MDP.5	1-1/2"	3-#1 AWG, 1-#6 GRD
MDP.6	3/4"	3-#8 AWG, 1-#10 GRD
MDP.7	1-1/2"	4-#2 AWG, 1-#8 GRD
MDP.8	3/4"	3-#8 AWG, 1-#10 GRD
MDP.9	2"	3-#1 AWG, 1-#6 GRD
T2.1	2"	4-#2/0 AWG, 1-#4 GRD
L1.1	1-1/2"	4-#2 AWG, 1-#8 GRD
L1.2	1-1/2"	4-#2 AWG, 1-#8 GRD
T3.1	2-1/2"	4-#4/0 AWG, 1-#4 GRD
L2.1	1-1/2"	4-#2 AWG, 1-#8 GRD
L2.2	1-1/2"	4-#2 AWG, 1-#8 GRD
HS.1	3/4"	3-#10 AWG, 1-#10 GRD
T4.1	1"	4-#6 AWG, 1-#8 GRD

ONE-LINE DIAGRAM
NO SCALE

RECORD DRAWING
LETTER DATED
5-27-10

	11-5-09	5-27-10	DATE	APPR
REVISED PER URS COMMENTS 10-9-09				
AS-BUILT REVISIONS				
SYM				
DESCRIPTION				

SCHLAFLY ENGINEERING LLC
121 SOUTH GENOIS STREET
NEW ORLEANS LA 70119
PHONE 504-415-3347
FAX 504-482-7943
M. KIMBALL SCHLAFLY, P.E.
LA REG 27699

SEAL

DES: K. SCHLAFLY	DRW: K. SCHLAFLY
REVIEWED BY: R. WILTSE	
PM/DM: T. ARTRIP	
CHIEF ENG/ARCH: P. DAMMON	

DEPARTMENT OF THE NAVY
NAVAL FACILITIES ENGINEERING COMMAND SOUTHEAST
NAVAL AIR STATION JACKSONVILLE
MISSISSIPPI

JOHN C. STENNIS SPACE CENTER
SOF RIVERINE AND COMBATANT
CRAFT OPERATIONS FACILITY

ONE-LINE DIAGRAM

CODE ID. NO. N4412	SIZE D
SCALE: NONE	
MAXIMO NO. #####	
STA. PROJ. NO. P-210	
WORK ORDER NO. 510247	
CONSTR. CONTR. NO. N62467-05-D-0096	
NAVFAC DRAWING NO. 15026746	
SHEET 99 OF 132	

E1.1

DRAWING REVISION: 01 JAN 2009