

12" x 12" SQUARE SPLASH BLOCK FOR ITC / DRAIN BY OWNER

500 GPM HOSE ALLOWANCE

IT TO DRAIN - THE IN TO MAIN DRAIN WITH FDC BALL DRIP

CATWALK GRATING PLATFORM - FRAMING: 6x4 TUBE STEEL & 6" ANGLE IRON 4 FT TO 4'-8" O.C.

4" MAIN AT 18'-9 1/4" AFF

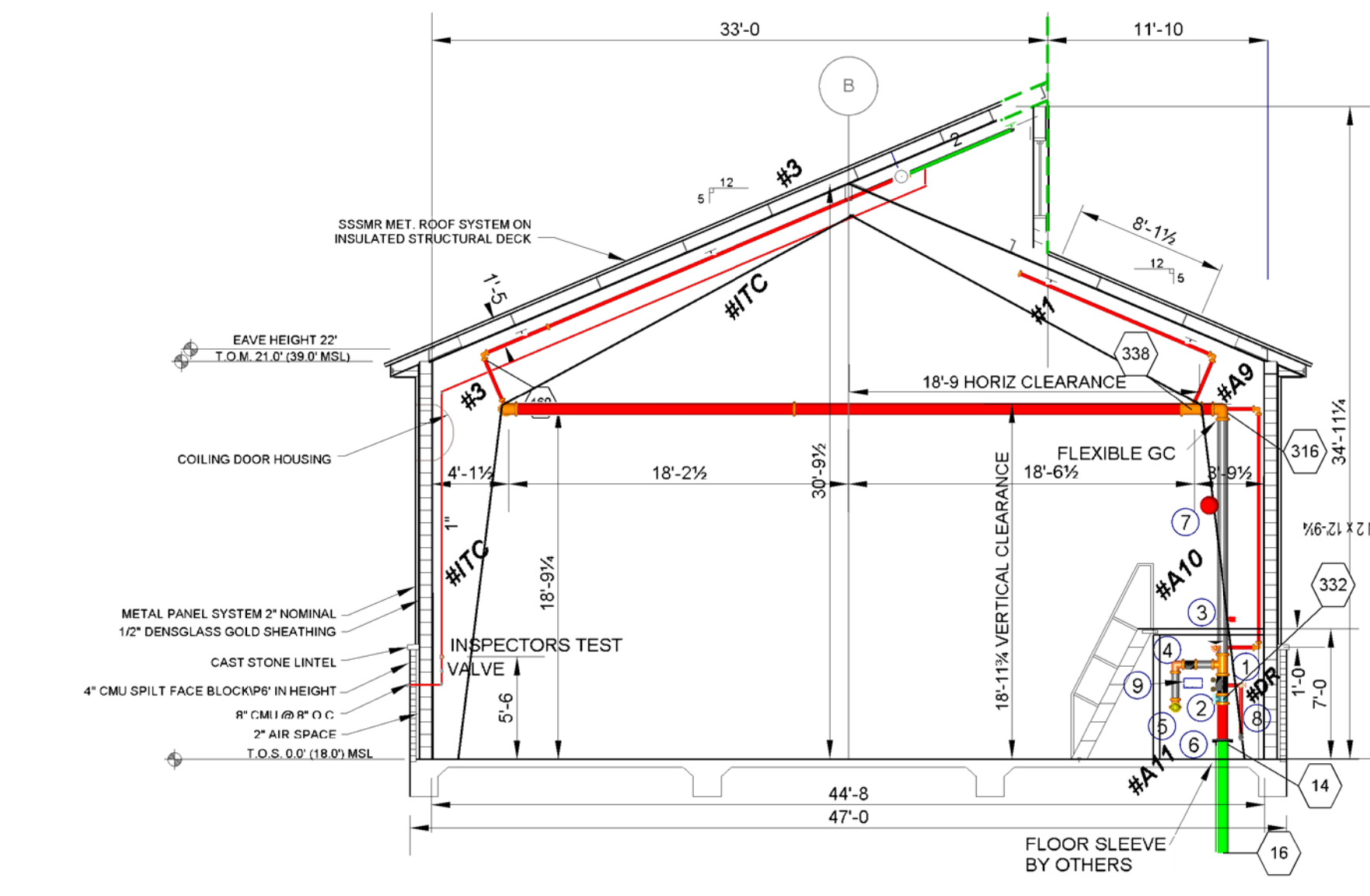
BRANCHLINE AT 6'-0" AFF BELOW GRATING PLATFORM

7'-0" HIGH X 6'-0" WIDE GRATING PLATFORM

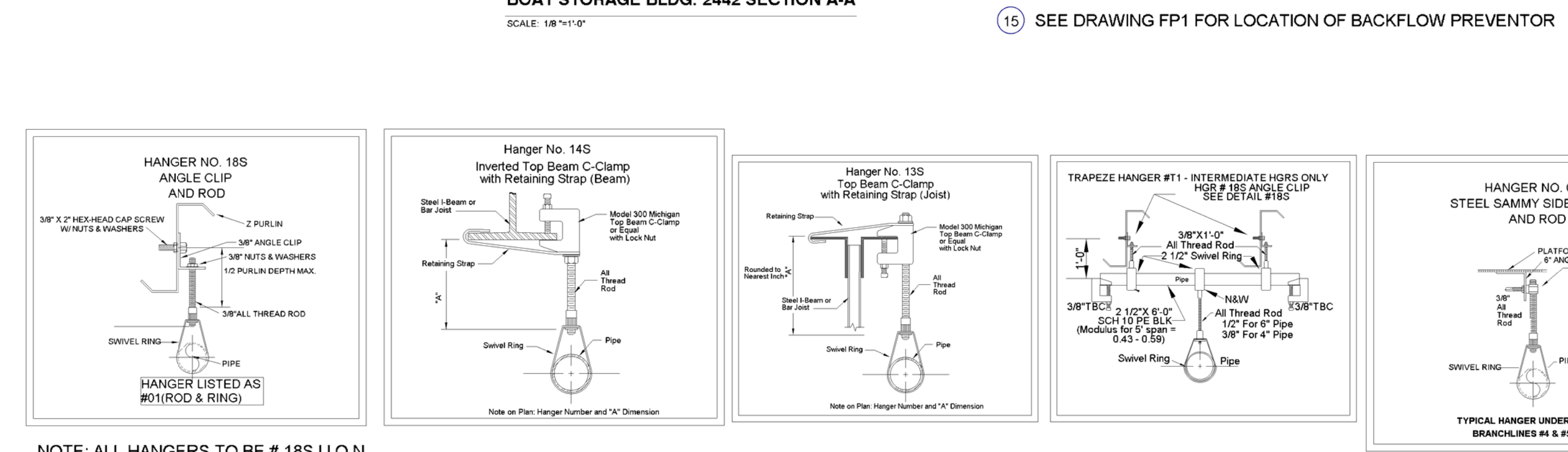
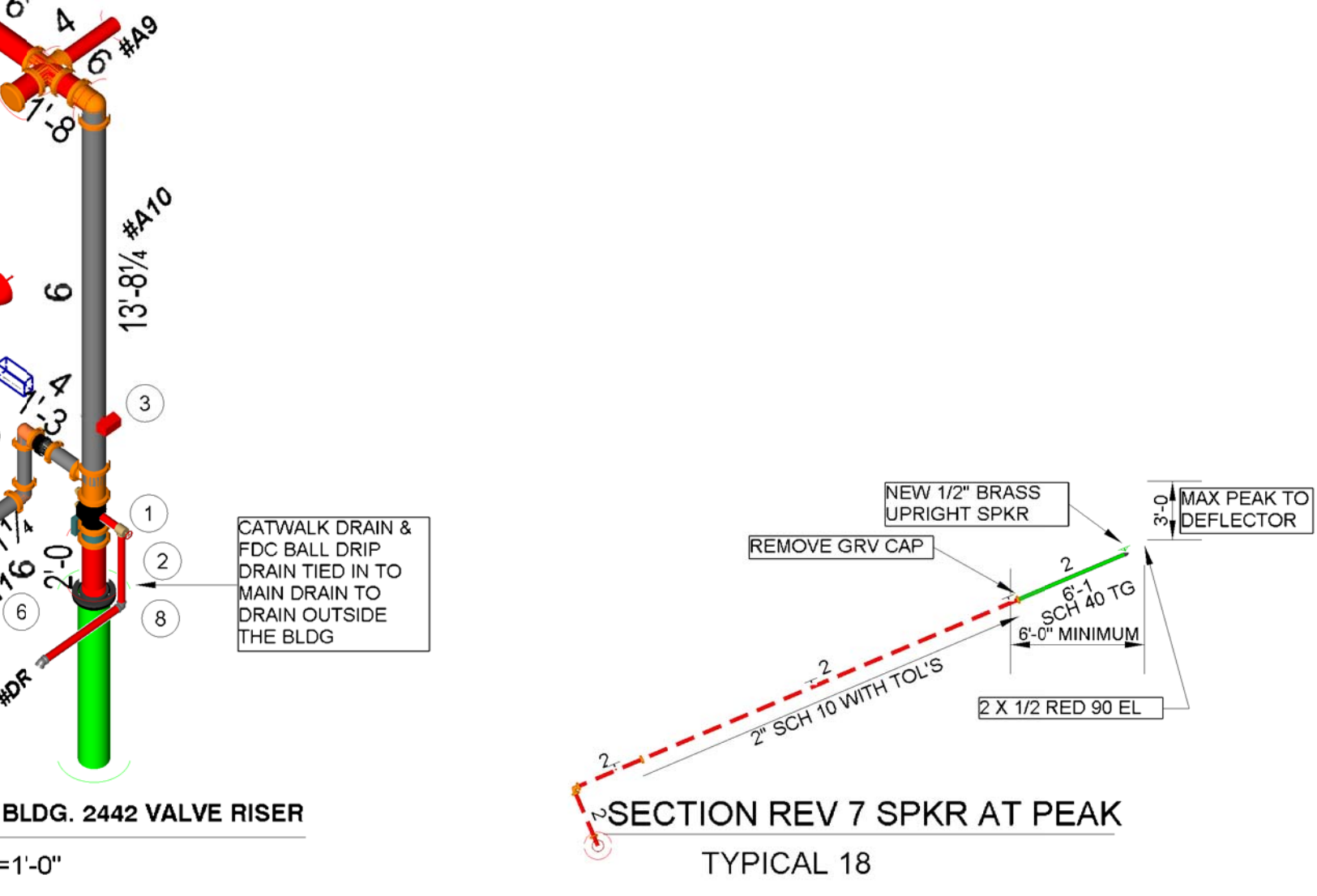
GROOVE COUPLINGS ARE RIGID UNLESS NOTE "FLEXIBLE GC"

BOAT STORAGE BLDG. 2442 PLAN

SCALE: 1/8" = 1'-0"



- RISER EQUIPMENT LEGEND**
- 1 6" RELIABLE MODEL G RIGHT-CHECK RISER VALVE
 - 2 6" GROOVED BUTTERFLY VALVE W/ TAMPER SWITCH
 - 3 6" FLOW SWITCH
 - 4 4" TYCO MODEL CV-1F CHECK VALVE
 - 5 4" X 2 1/2" X 2 1/2" FIRE DEPARTMENT CONNECTION NST WITH BALL DRIP TIED INTO MAIN DRAIN TO DRAIN OUTSIDE
 - 6 6" X 11" SCR FLANGE
 - 7 24V ELECTRIC BELL OUTSIDE 6"
 - 8 2" DRAIN & ITC TO OUTSIDE
 - 9 6-HEAD SPRINKLER CABINET
 - 10 SEE DRAWING FP1 FOR LOCATION OF BACKFLOW PREVENTOR



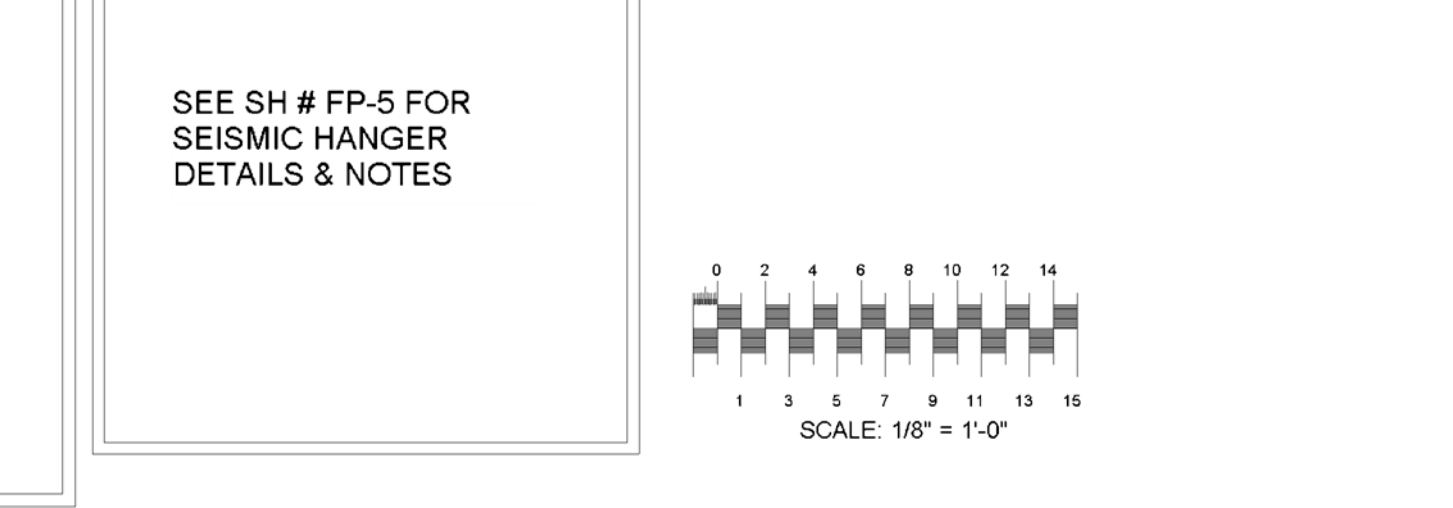
NOTE: ALL HANGERS TO BE #18S U.O.N.

NEW SPRINKLERS

TYPE	SIN	K=	ORIFICE	TEMP	FINISH	CANOPY	SYMBOL	QTY
TYCO TY-FRB QR	TY4131	8.0	17/32"	200 F	BRASS	UPRIGHT	○	80
TYCO TY-FRB QR	TY4131	8.0	17/32"	288 F	BRASS	UPRIGHT	●	10
TYCO TY-FRB QR	TY3131	5.6	1/2"	200 F	BRASS	UPRIGHT	○	18
TYCO TY-FRB QR	TY3131	5.6	1/2"	200 F	BRASS	UPR W/IS1*	◆	12

TOTAL THIS SHEET 120

* TYCO G1S1 GUARD WITH SHIELD



GENERAL NOTES

- 1) SCOPE OF WORK
SIMPLEXGRINNELL TO PROVIDE TWO NEW WET PIPE FIRE SPRINKLER SYSTEMS (1) FOR THE NEW OPERATIONS BLDG #2440 & THE BOAT MAINTENANCE BLDG #2441, AND (1) FOR THE BOAT STORAGE BLDG #2442.
- 2) BASIS OF DESIGN:
LIGHT HAZARD AREAS - DESIGN DENSITY: .10 GPM/SQ. FT. OVER 3000 SQ. FT.
ORDINARY HAZARD GROUP 1 - DESIGN DENSITY: .15 GPM/SQ. FT. OVER 3000 SQ. FT.
ORDINARY HAZARD GROUP 2 - DESIGN DENSITY: .20 GPM/SQ. FT. OVER 3000 SQ. FT. (EXCEPT AS NOTED - BELOW PLATFORM) AREA HAS BEEN INCREASED BY 30% WHERE ROOF SLOPE EXCEEDS 2:12 AS PER NFPA 13 11.2.3.2.4.
HYDRAULIC CALCULATIONS INCLUDE A HOSE ALLOWANCE OF 500 GPM, EXCEPT FOR THE 2ND FLOOR OPERATION BLDG, WHICH IS LIGHT HAZARD, AND HAS A HOSE ALLOWANCE OF 250 GPM.
- 3) PIPE AND FITTINGS
1 1/2" AND SMALLER PIPE TO BE THREADED BLACK SCH 40 WITH BLACK C.I. SCREW FITTINGS.
2" AND LARGER PIPE TO BE GROOVED BLACK SCH 10 WITH GROOVED FITTINGS & COUPLINGS AND WELDED OUTLETS. SPRINKLERS TO BE CENTER OF TILE.
- 4) HANGERS
ALL HANGERS AND SUPPORTS TO CONFORM TO NFPA 13 AND PIPE MANUFACTURERS RECOMMENDATIONS.
- 5) FIRE CAULKING
ALL PENETRATIONS THROUGH FIRE RATED WALLS ARE TO BE SEALED WITH FIRE CAULK TO MAINTAIN THE FIRE RATING.
- 6.) SPRINKLER SYSTEMS SHALL INCLUDE EARTHQUAKE PROTECTION PER D401001 1.2. SEE SH # FP-5 FOR DETAILS & NOTES.

ALL MATERIAL TO BE AMERICAN MADE

AS-BUILT
06/07/10

NO.	DESCRIPTION	DATE	APPR.
8	REVISED PER AS-BUILT	06/07/10	
7	REVISED TO ADD SPKR IN PEAK (BLDG REVISION)	05/06/10	
6	REVISED PER FAB REVISIONS & FIELD NOTES	09/23/09	
5	REVISED PER NAVFAC COMMENTS RECD 9/03/09	09/09/09	
4	REVISED PER URS COMMENTS RECD 8/17/09	08/26/09	
3	REVISED PER LATEST DRAWINGS	07/02/09	
2	REVISED PER URS COMMENTS & SEISMIC DESIGN	06/26/09	
1	REVISED PER PFE COMMENTS	06/08/09	

tyco
Fire & Security
SimplexGrinnell
5800 JEFFERSON HWY., STE. A
HARRAHAN, LOUISIANA 70123

AE LOGO

SEAL

DES: _____ DRAW: _____

REVIEWED BY: _____

PM/DM: _____

CHIEF ENGINEER: _____

NAVFAC SOUTHEAST

NAVFAC ENGINEERING COMMAND

JOHN C. STENNIS SPACE CENTER, MISSISSIPPI

SOF RIVERINE AND COMBATANT CRAFT OPERATIONS FACILITY

BOAT STORAGE BLDG 2442

DEPARTMENT OF THE NAVY

CODE ID: NO. 8001 SIZE: D

SCALE: 1/8" = 1'-0"

MAX/MO NO.: # # # # #

STA. PROJ. NO.: P-210

WORK ORDER NO.: 510247

CONSTR. CONTR. NO.: N62467-05-D-0096

NAVFAC DRAWING NO.: 15026772

SHEET 125 OF 132

SIMPLEXGRINNELL SH #FP-2

SG JOB # 269-941989101

REVDATE: