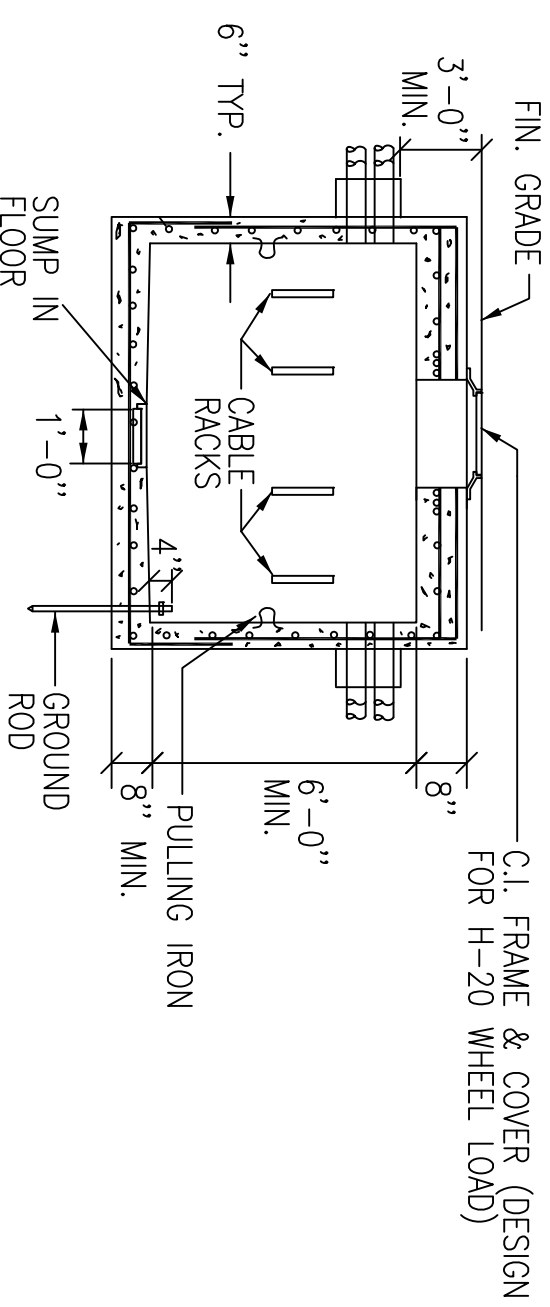
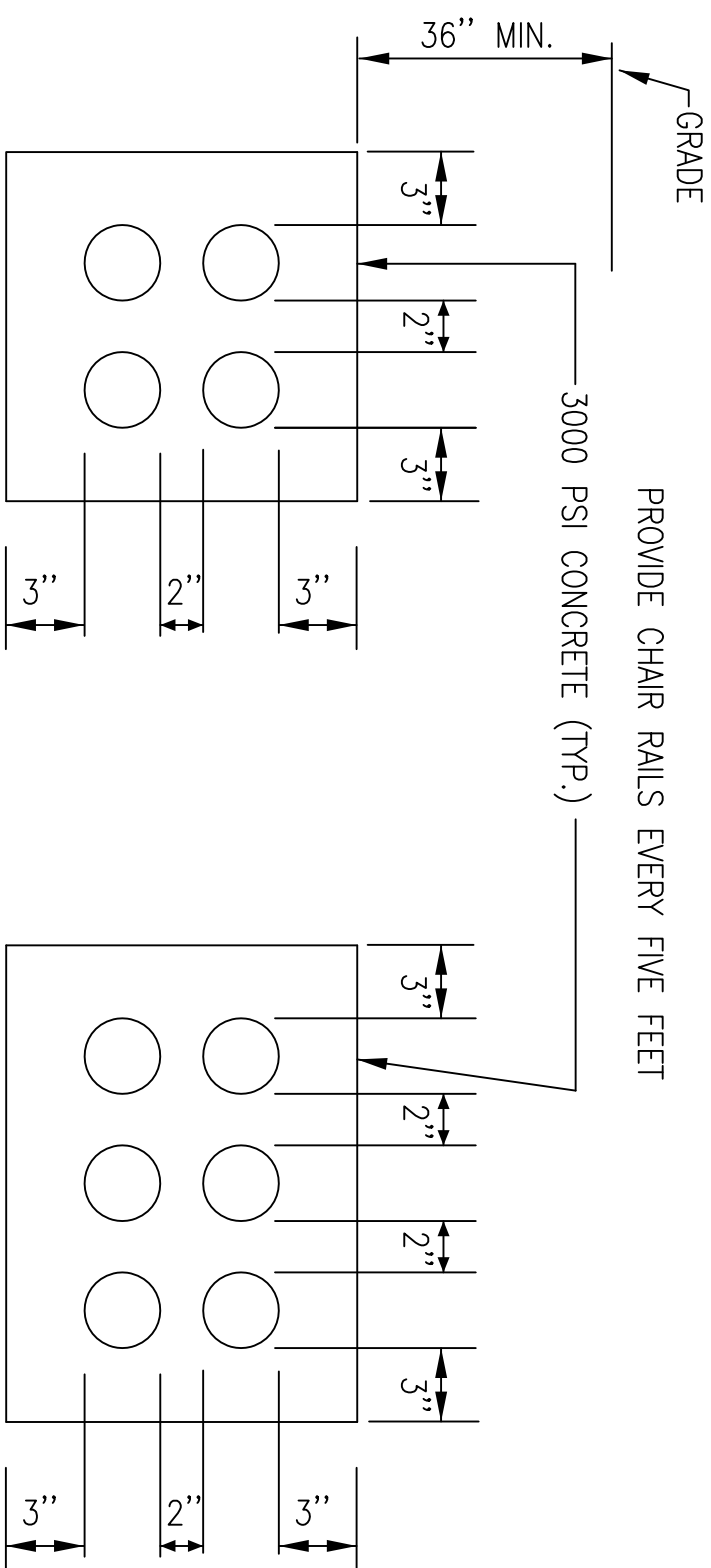


PANEL LC			
RELAY	SOURCE	LOAD	CONTROLS
R1	H-1	FLOOR 1 INTERIOR	2240 LOCAL SWITCH, SWEEP OFF
R2	H-3	FLOOR 1 INTERIOR	3160 LOCAL SWITCH, SWEEP OFF
R3	H-5	FLOOR 1 INTERIOR	2800 LOCAL SWITCH, SWEEP OFF
R4	H-7	MAINTENANCE/STAGING	3000 LOCAL SWITCH, SWEEP OFF
R5	H-9	STAIRWELL	500 NO SWITCH, ALWAYS ON
R6	H-9	FLOOR 1 LOBBY	500 LV SWITCH ONLY
R7	H-9	FLOOR 2 CORRIDOR	450 LV SWITCH ONLY
R8	H-11	FLOOR 2 CORRIDOR	450 LV SWITCH ONLY
R9	H-2	ENTRY LIGHTS	900 ASTRONOMIC CONTROL
R10	H-4	BUILDING PERIMETER	3600 ASTRONOMIC CONTROL
R11	H-6	POLE LIGHTS	2400 ASTRONOMIC CONTROL
R12	H-8	POLE LIGHTS	2400 ASTRONOMIC CONTROL
R13	H-10	POLE LIGHTS	2400 ASTRONOMIC CONTROL
R14	H-12	FLOOR 2 INTERIOR	2400 LOCAL SWITCH, SWEEP OFF
R15	H-14	FLOOR 2 INTERIOR	4200 LOCAL SWITCH, SWEEP OFF
R16	-	SPARE	-

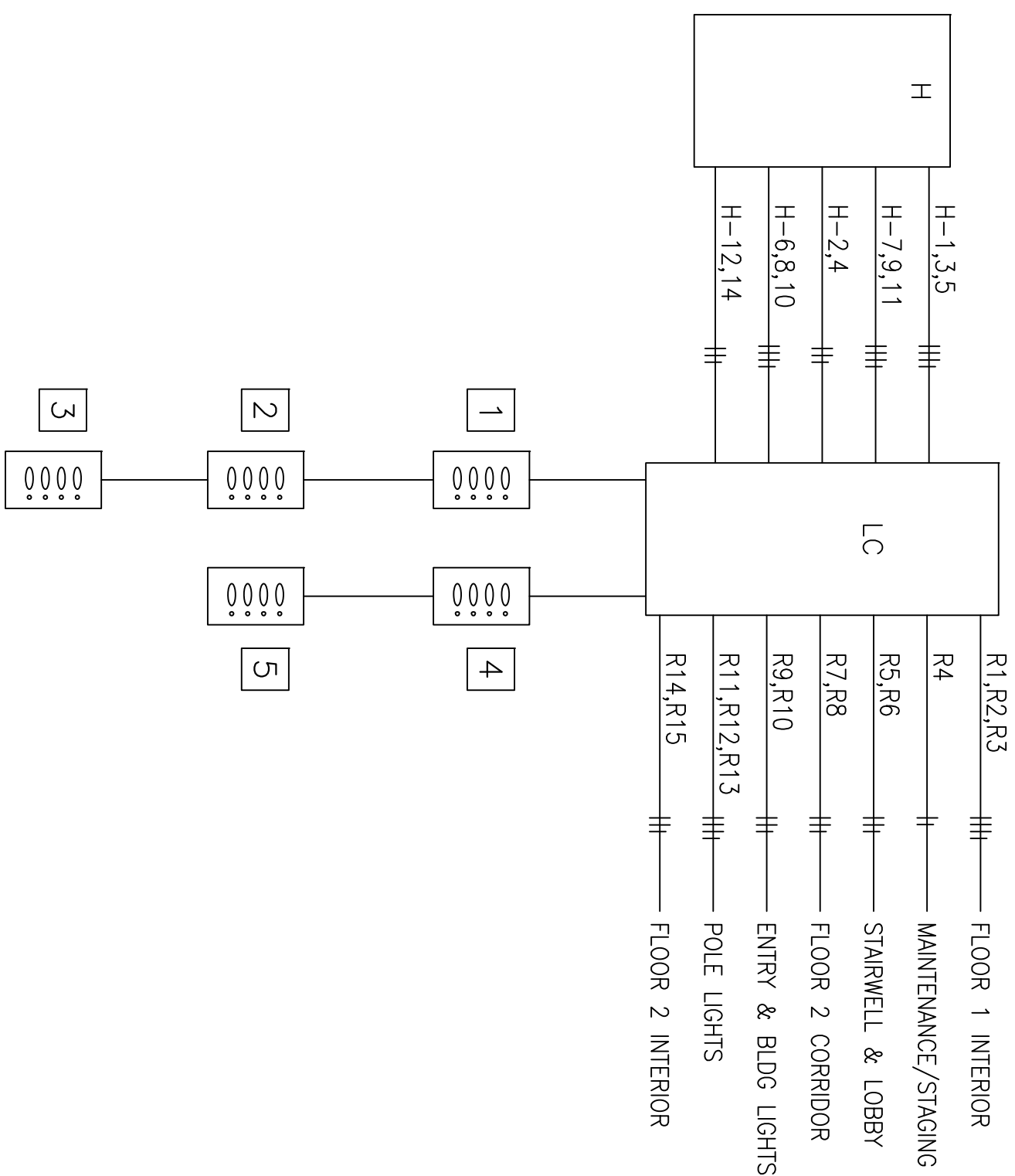
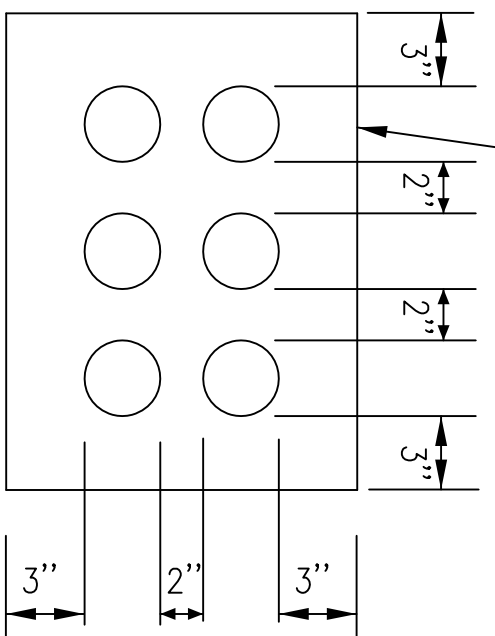
INTELLIGENT LIGHTING CONTROLS APPRENTICE II RELAY PANEL.
277V, 20A RELAYS, TOTAL 16.
ASTRONOMIC CLOCK
INCLUDE SOFTWARE FOR REMOTE PROGRAMMING BY END USER.
INCLUDE ALL STARTUP AND INITIAL PROGRAMMING PER USER.



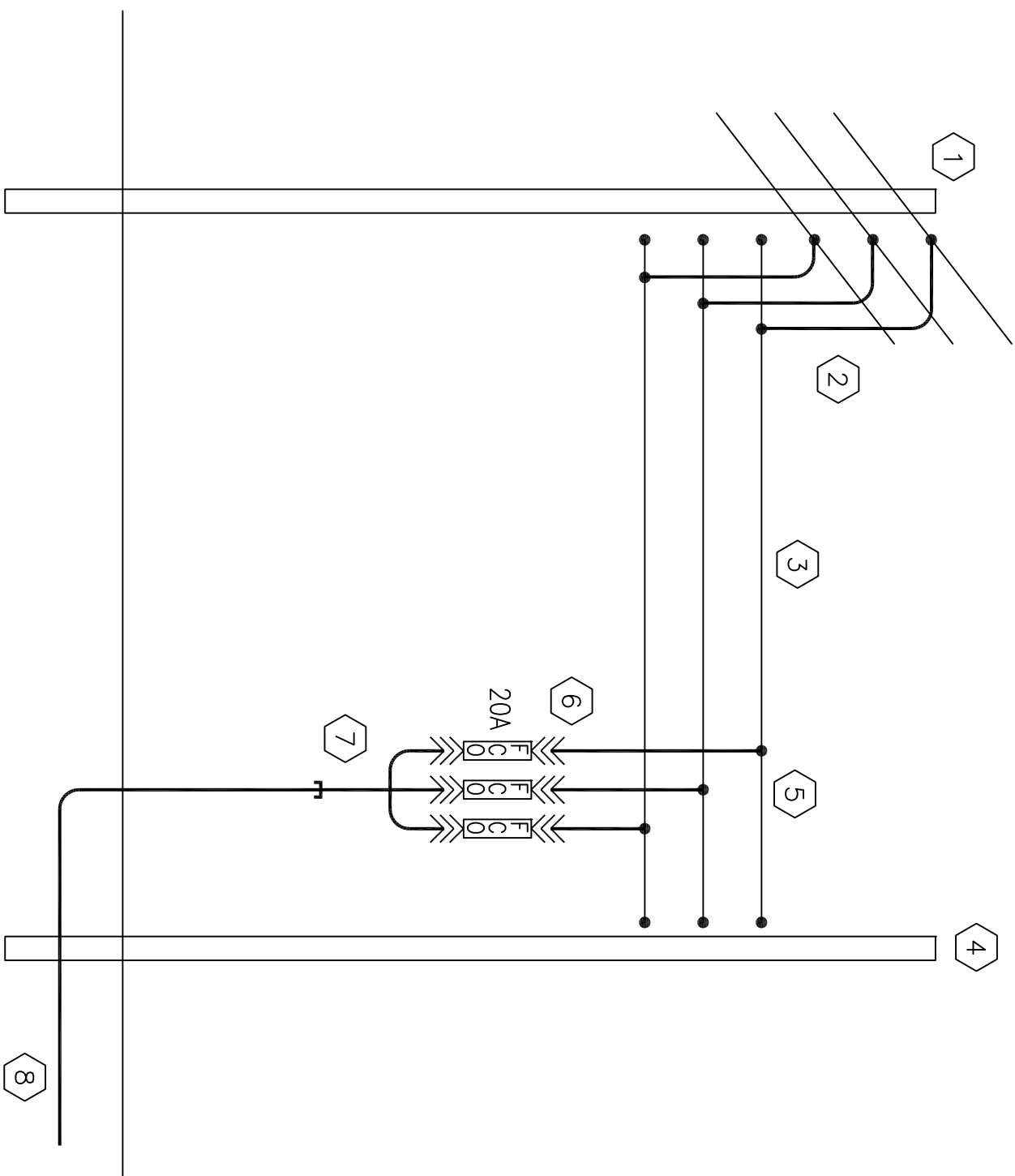
MANHOLE DETAIL
NO SCALE



UNDERGROUND DUCTBANK DETAIL
NO SCALE



LIGHTING CONTROL SYSTEM WIRING DIAGRAM
NO SCALE



POWER POLE INSTALLATION DETAIL
NO SCALE

LOW-VOLTAGE CONTROL STATIONS			
STATION	BUTTON	DESCRIPTION	RELAY AND CONTROL
1	1	ON/OFF FLOOR 1 LOBBY	R6 ON/OFF
	2	SWEEP OFF FLOOR 1	R1,R2,R3,R4,R6 SWEEP OFF
	3	SWEEP OFF FLOOR 2	R7,R13,R14,R15 SWEEP OFF
	4	SPARE	-
2	1	ON/OFF FLOOR 1 LOBBY	R6 ON/OFF
	2	ON/OFF FLOOR 2 CORRIDOR	R7 ON/OFF
	3	SWEEP OFF FLOOR 1	R1,R2,R3,R4,R6 SWEEP OFF
	4	SWEEP OFF FLOOR 2	R7,R13,R14,R15 SWEEP OFF
3	1	SWEEP OFF CAGE/BATHROOM	R2,R3 SWEEP OFF
	2	SPARE	-
	3	SPARE	-
	4	SPARE	-
4	1	ON/OFF FLOOR 2 CORRIDOR	R7 ON/OFF
	2	SWEEP OFF FLOOR 2	R7,R13,R14,R15 SWEEP OFF
	3	SPARE	-
	4	SPARE	-
5	1	ON/OFF FLOOR 2 CORRIDOR	R7 ON/OFF
	2	SWEEP OFF FLOOR 1	R1,R2,R3,R4,R6 SWEEP OFF
	3	SWEEP OFF FLOOR 2	R7,R13,R14,R15 SWEEP OFF
	4	SPARE	-

4-BUTTON CONTROL STATION WITH LED STATUS LIGHTS.
CATSE CABLING TO RELAY PANEL CONTROLLER.
PROVIDE ALL PROGRAMMING AS LISTED ABOVE FOR EACH PUSH BUTTON.
PROVIDE LABELLING FOR EACH PUSH BUTTON.

SPECIFIC NOTES THIS SHEET:

- 1 EXISTING WOOD POLE. PROVIDE NEW CROSSARM WITH DEAD END INSULATORS BELOW EXISTING CROSSARM FOR LATERAL TAP.
- 2 PROVIDE TAP TO EXISTING LINES USING THROUGH BOLT CONNECTORS AND SOLID ALUMINUM ALLOY CONNECTORS.
- 3 #1 AWG "RAVEN" ACSR CONDUCTOR PER PHASE.
- 4 COA TREATED WOOD POLE LENGTH AS REQUIRED, WITH SINGLE GROSSARM AND DEAD END INSULATORS. PROVIDE #4 AWG BARE COPPER GROUND LEAD TO BASE.
- 5 PROVIDE DOWNLEADS TO FUSED CUTOUTS USING SOLID ALUMINUM ALLOY CONNECTORS.
- 6 FUSED CUTOUTS, THREE TOTAL, 15KV UNGROUNDED, 100A WITH K TYPE FUSES RATED 20A. PROVIDE METAL OXIDE POLYMERIC HOUSED, 18KV SURGE ARRESTORS, CROSSARM MOUNTED.
- 7 2-4" GRS CONDUITS WITH BUSHED ENDS ROUTED UP POLE. ONE SPARE, ONE CONTAINING 3-#1/0 AWG, TYPE MV-105 CONDUCTORS, 133% INSULATION AND EPR JACKET. TERMINATE TO LOAD SIDE OF FUSED CUTOUTS. GROUND CABLE SHIELDS TO #4 GROUND LEAD.
- 8 TRANSITION TO SCHEDULE 40 PVC, CONCRETE ENCASED.

THESE PLANS AND SPECIFICATIONS HAVE BEEN PREPARED BY OR UNDER OUR DIRECT SUPERVISION. ALL REGULATORY REQUIREMENTS, WE ARE NOT GENERALLY ADMINISTERING THE WORK.

SCHLARLY ENGINEERING LLC
9-4-09
PER: [Signature]
REG. # 27699

<p>DEPARTMENT OF THE NAVY NAVAL FACILITIES ENGINEERING COMMAND SOUTHEAST NAVAL AIR STATION JACKSONVILLE MISSISSIPPI</p> <p>JOHN C. STENNIS SPACE CENTER MISSISSIPPI</p> <p>SOF RIVERINE AND COMBATANT CRAFT OPERATIONS FACILITY</p> <p>ELECTRICAL DETAILS</p>	<p>REG. NO. 27699 M. KIMBALL SCHLARLY, P.E. LA REG 27699</p> <p>SEPTEMBER 4, 2009</p>	<p>121 SOUTH GENOIS STREET NEW ORLEANS, LA 70119 PHONE 504-482-1947 FAX 504-482-7930</p> <p>SCHLARLY ENGINEERING LLC</p>	<p>NAVFAC</p>	<p>DATE</p>	<p>APPR</p>
---	---	---	---------------	-------------	-------------