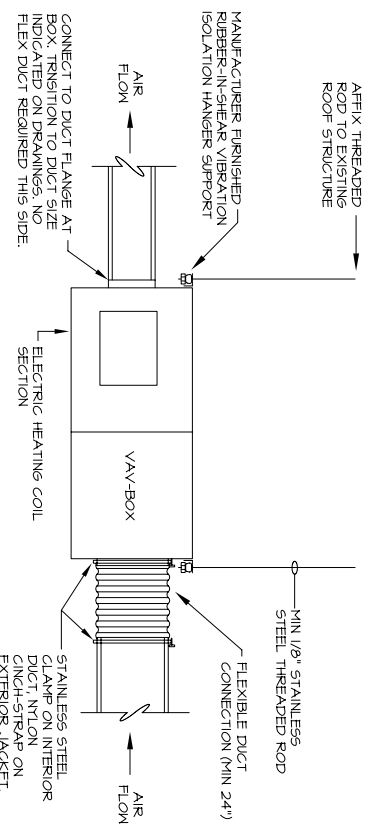
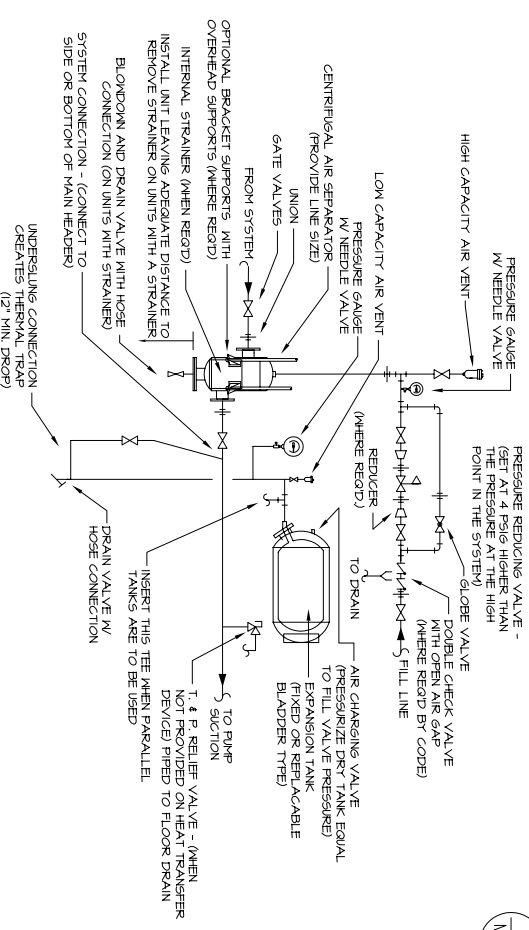


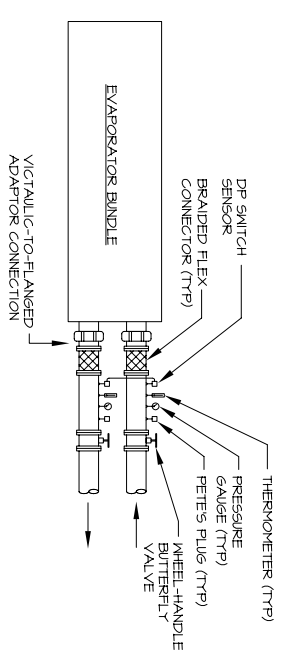
1  
SCALE: NONE



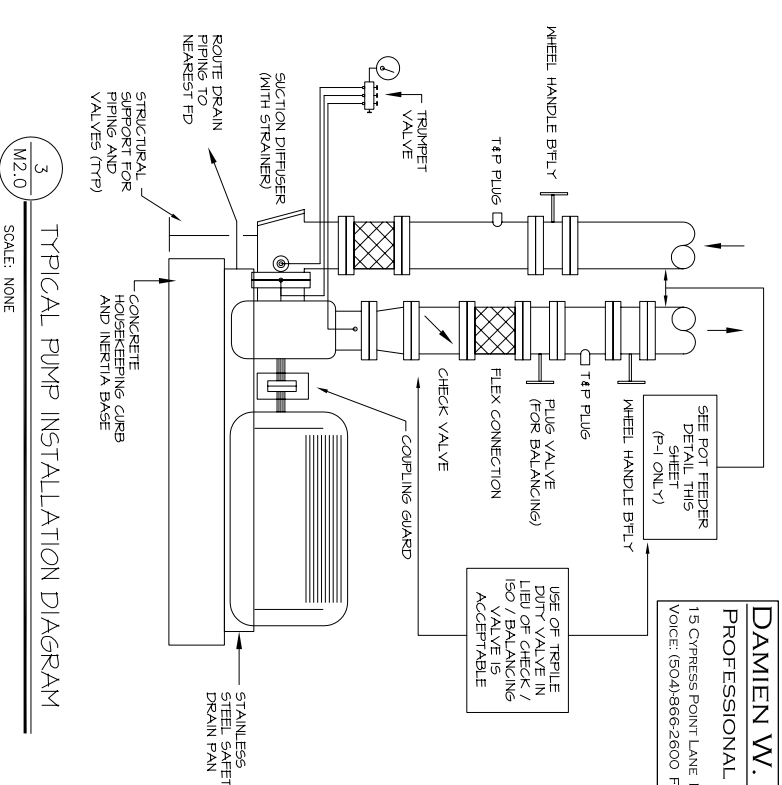
2  
SCALE: NONE



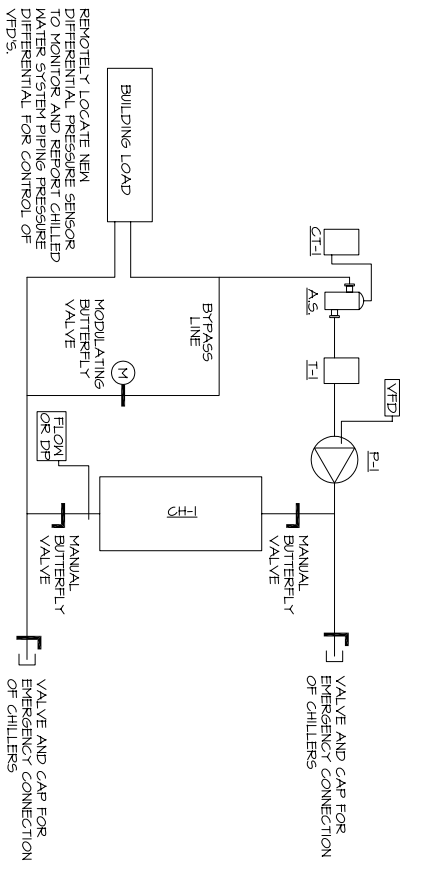
4  
SCALE: NONE



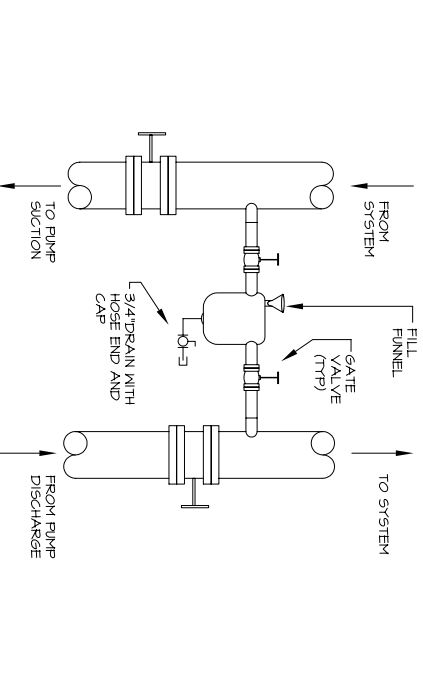
5  
SCALE: NONE



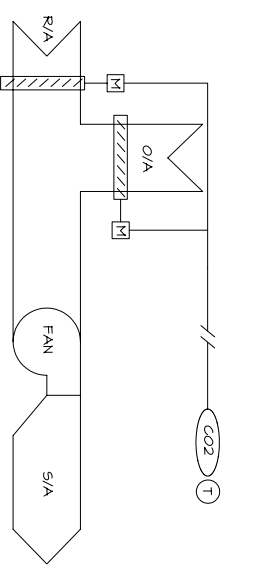
3  
SCALE: NONE



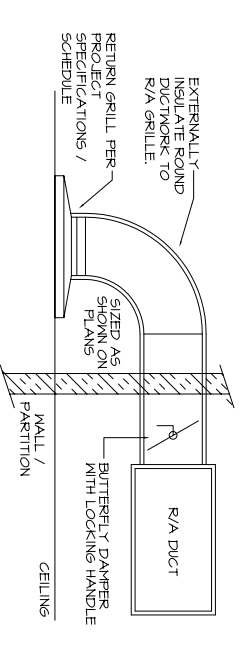
7  
SCALE: NONE



8  
SCALE: NONE



6  
SCALE: NONE



9  
SCALE: NONE

**DAMIEN W. SERAUSKAS, P.E.**  
PROFESSIONAL ENGINEERING SERVICES  
15 Cypress Point Lane New Orleans, LA 70131  
VOICE: (504)966-2600 FAX: (504)218-9480

**DAMMON**  
ENGINEERING, INC.  
CHIEF ENGINEER  
1005 FLORIDA AVENUE  
SUITE 100  
SHREVEPORT, LA 70508  
(983) 649-8332  
www.dammon.com

REVIEWED BY: D. SERAUSKAS  
APPROVED BY: T. ARTHUR  
CHIEF ENGINEER P. DAMMON

DEPARTMENT OF THE NAVY  
NAVAL FACILITIES ENGINEERING COMMAND  
NAVAL FACILITIES ENGINEERING COMMAND SOUTHEAST  
1PT SOUTH ATLANTIC NAVAL AIR STATION JACKSONVILLE MISSISSIPPI  
JOHN C. STENNIS SPACE CENTER  
**SOF RIVERINE AND COMBATANT CRAFT OPERATIONS FACILITY**

CODE: 0, NO. 14412, SER. 0  
SCALE: \_\_\_\_\_  
DRAWING NO. #####  
REV. NO. #####  
WORK ORDER NO. #####  
CONTRACT NO. 05-05-0096  
NAVFAC DRAWING NO. \_\_\_\_\_  
SHEET \_\_\_\_\_ OF \_\_\_\_\_  
**M3.0**