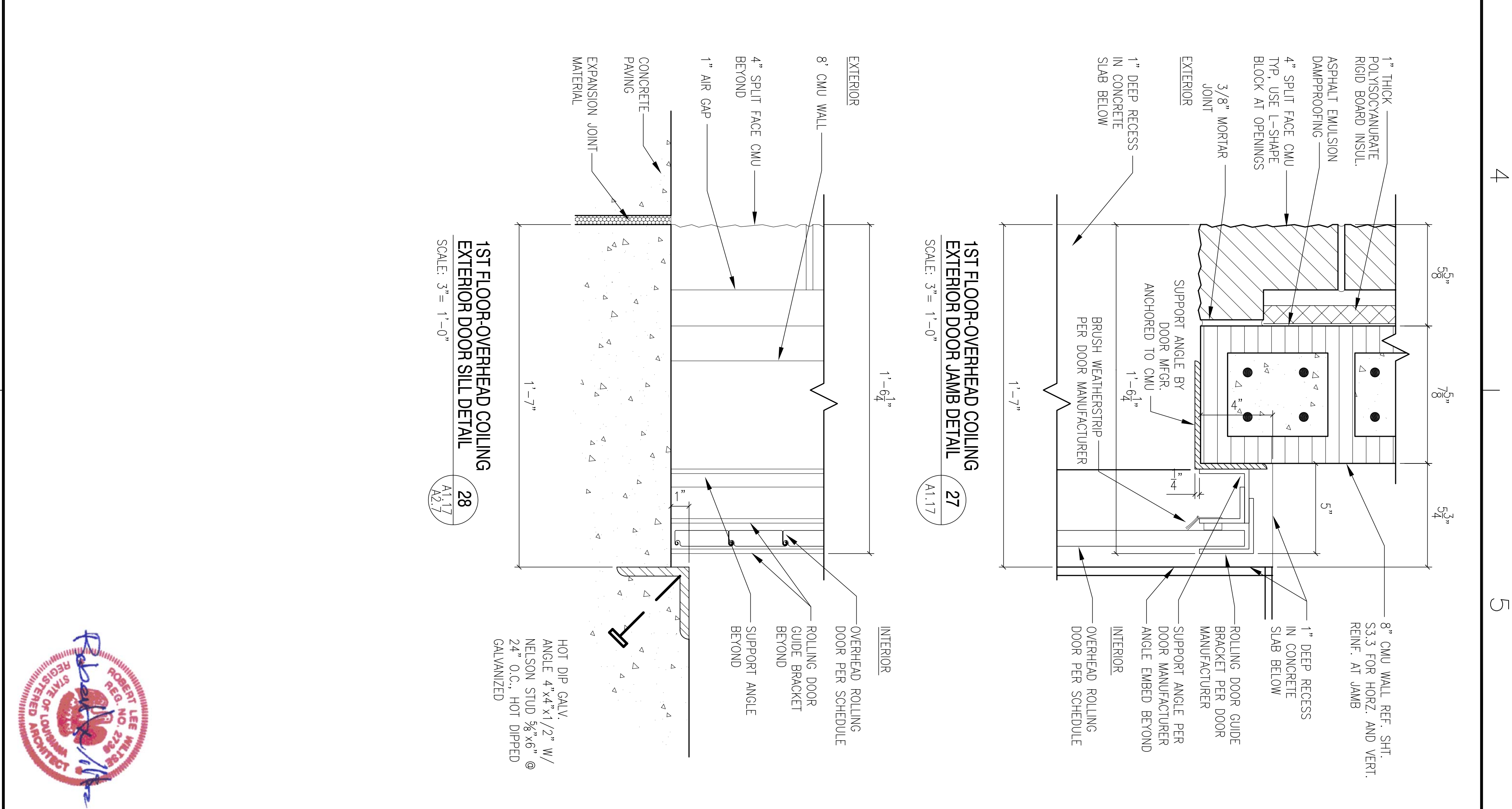
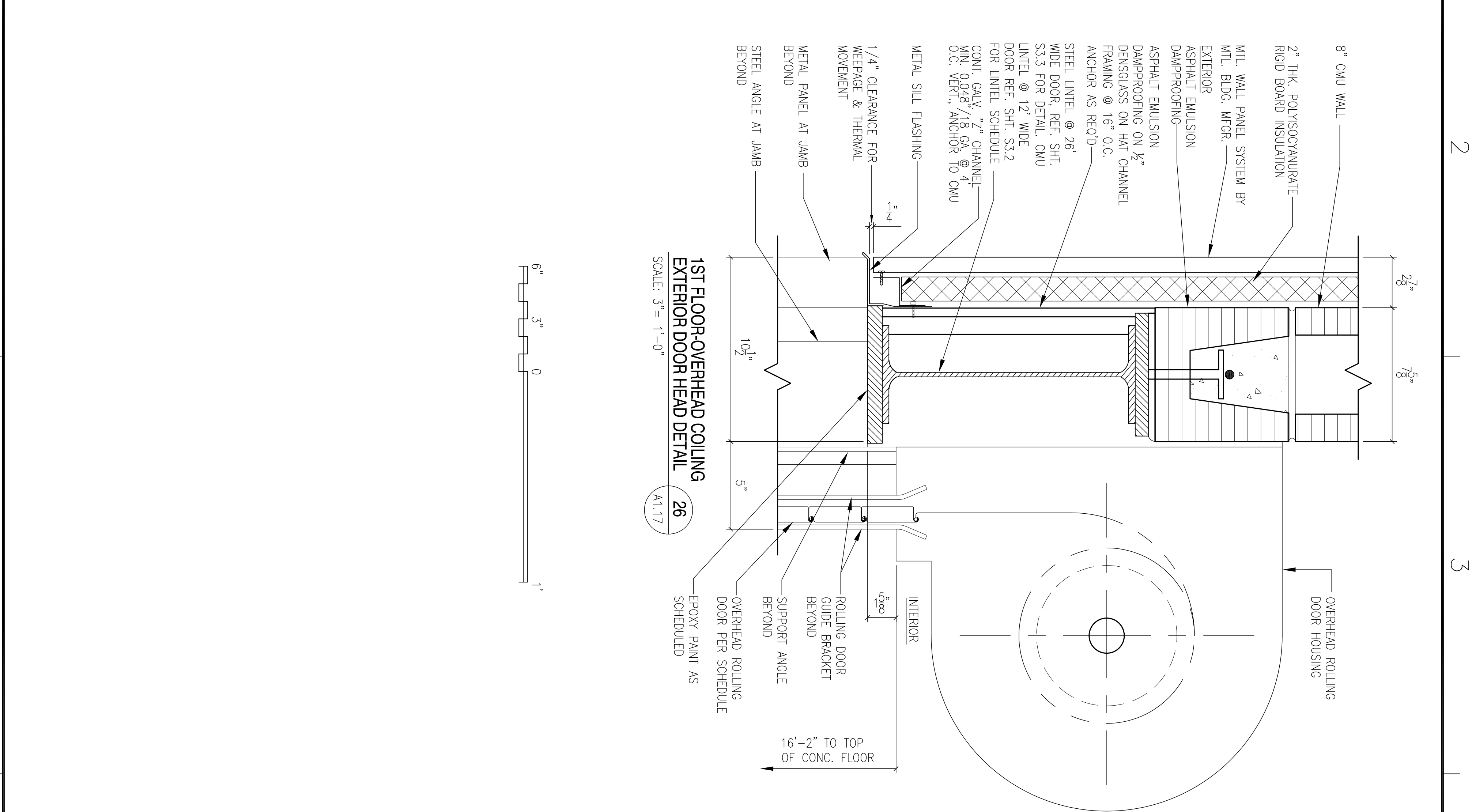
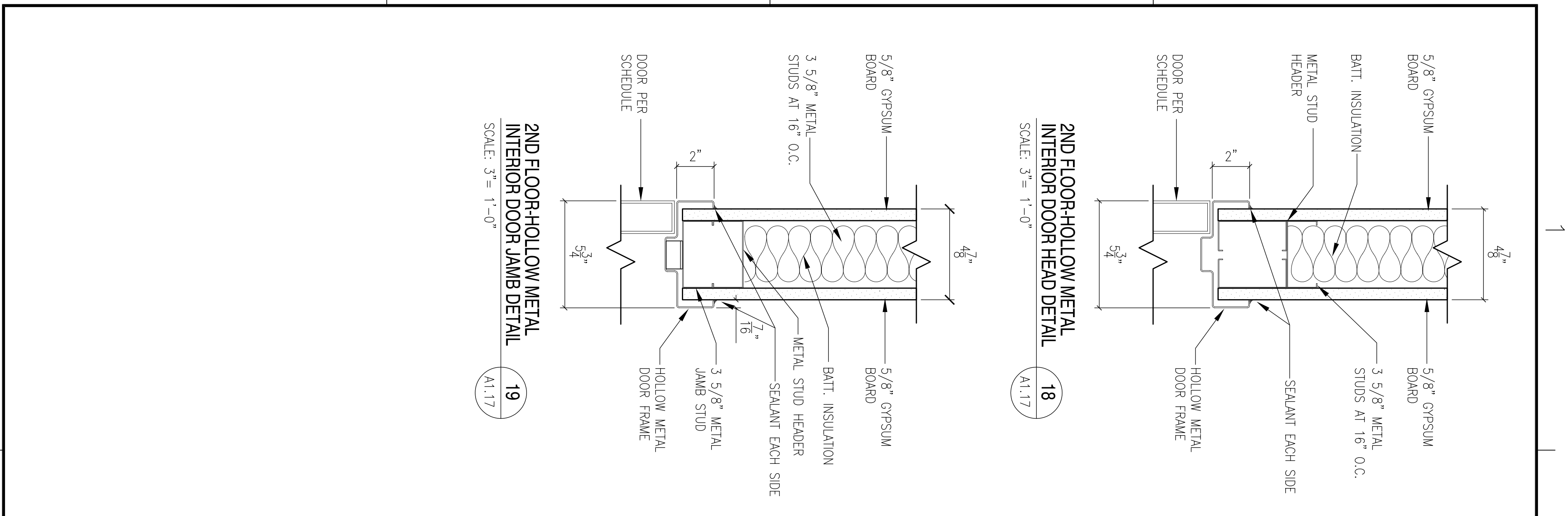


A

B

C

D



<p>DEPARTMENT OF THE NAVY NAVAL FACILITIES ENGINEERING COMMAND SOUTHEAST IPT GULF COAST</p> <p>JOHN C. STENNIS SPACE CENTER SOF OPERATIVE AND COMBATANT CRAFT OPERATIONS FACILITY - PRE-FINAL</p> <p>BLDG. 2440/2441 DOOR DETAILS</p>	<p>NAVAL FACILITIES ENGINEERING COMMAND NAVAL AIR STATION JACKSONVILLE</p> <p>MISSISSIPPI</p>	<p>DES. R. WITSE DRAWN J. THREANAY ENGINEERED BY R. WITSE P/LINK T. ARBIB CHECKED BY R. WITSE P/ENGINEER P. DAMMON</p>	<p>EMMETT G. DAMMON LICENSED PROFESSIONAL ARCHITECT STATE OF MISSISSIPPI 9862</p>	<p>DAMMON ENGINEERING, INC. 1000 W. GULF BLVD. SUITE 100 JACKSON, MISSISSIPPI 39201 (601) 948-1111 (800) 649-8312</p>	<p>NAFAC</p>
--	--	---	--	---	--------------

A

B

C

D

DATE

