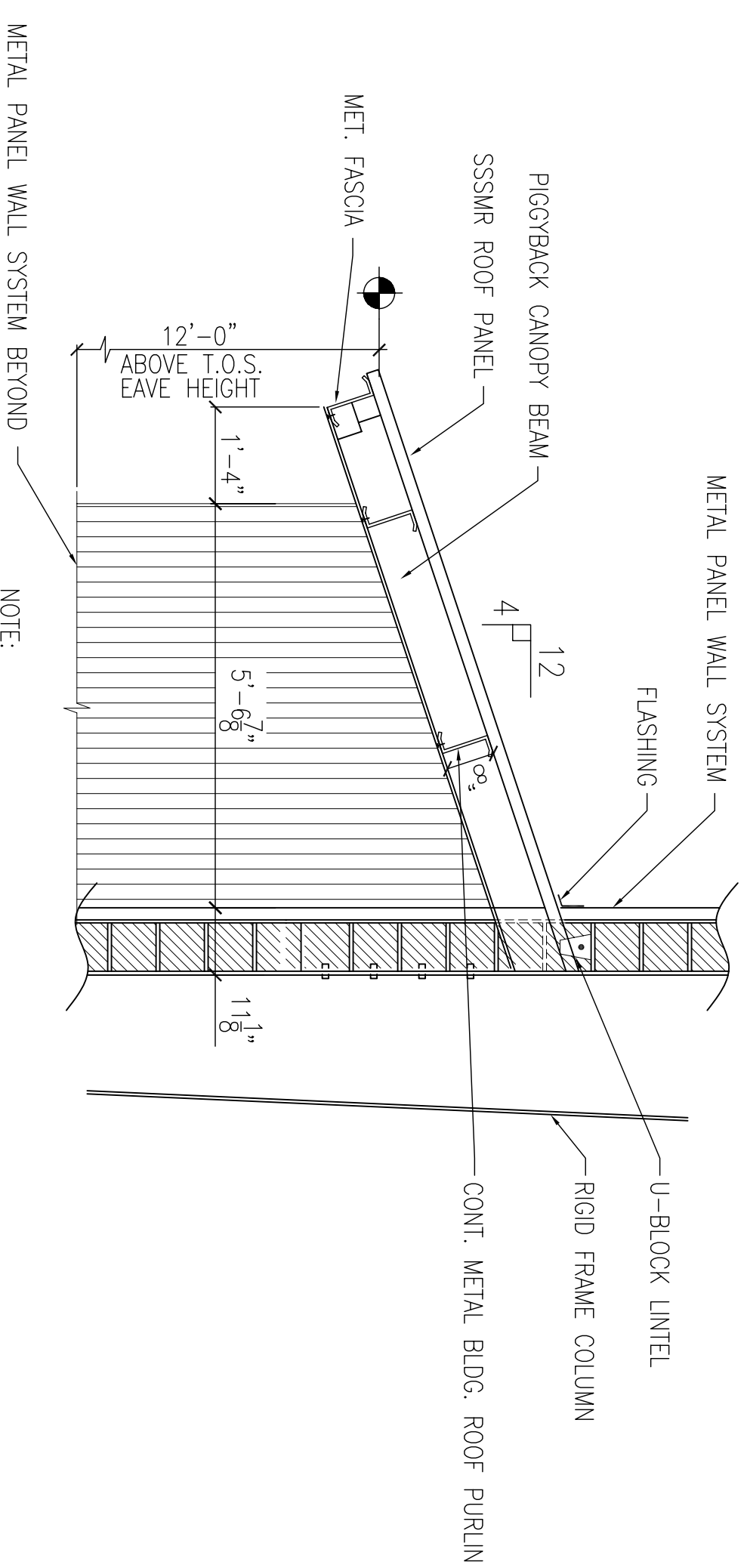
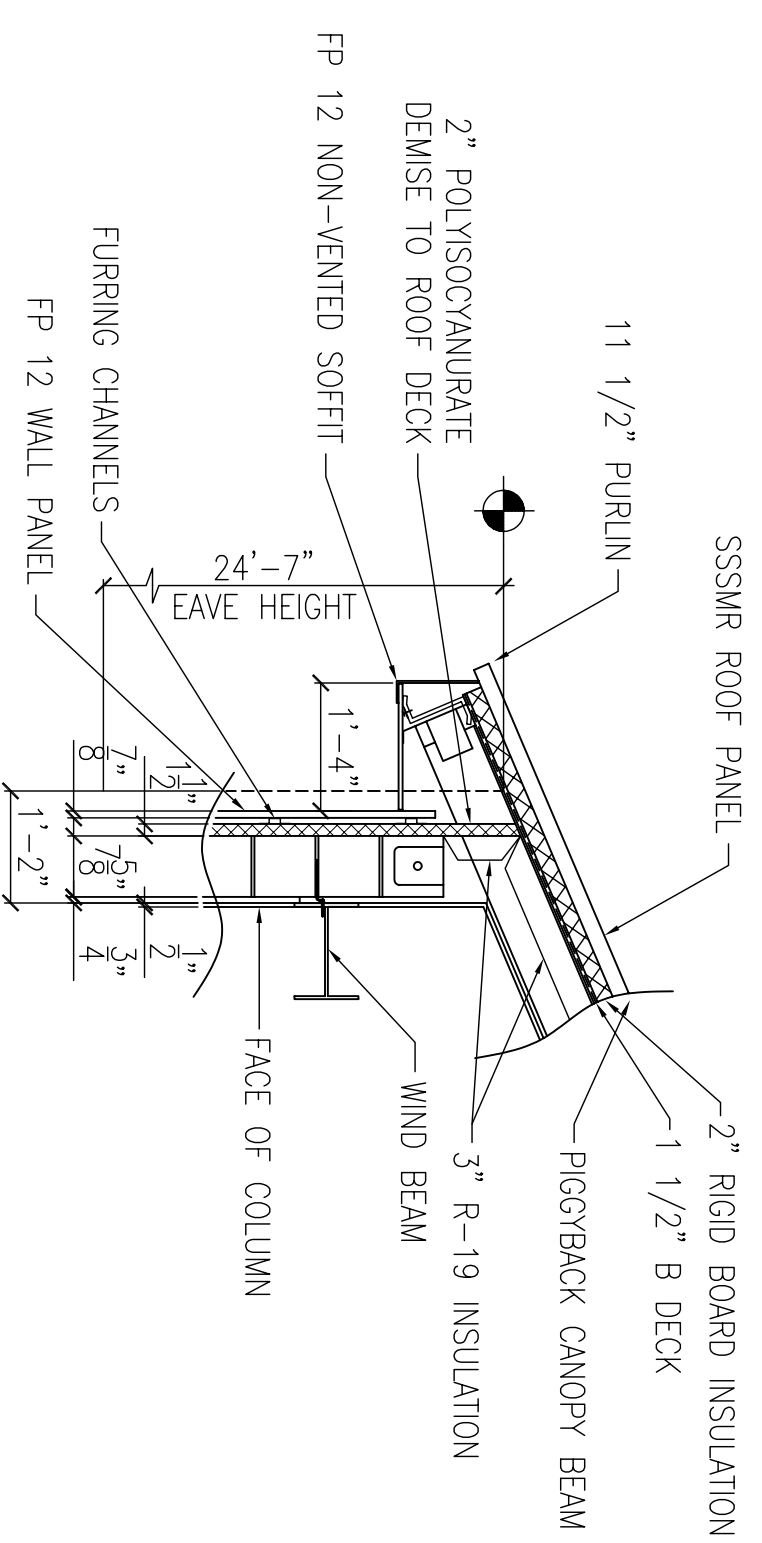


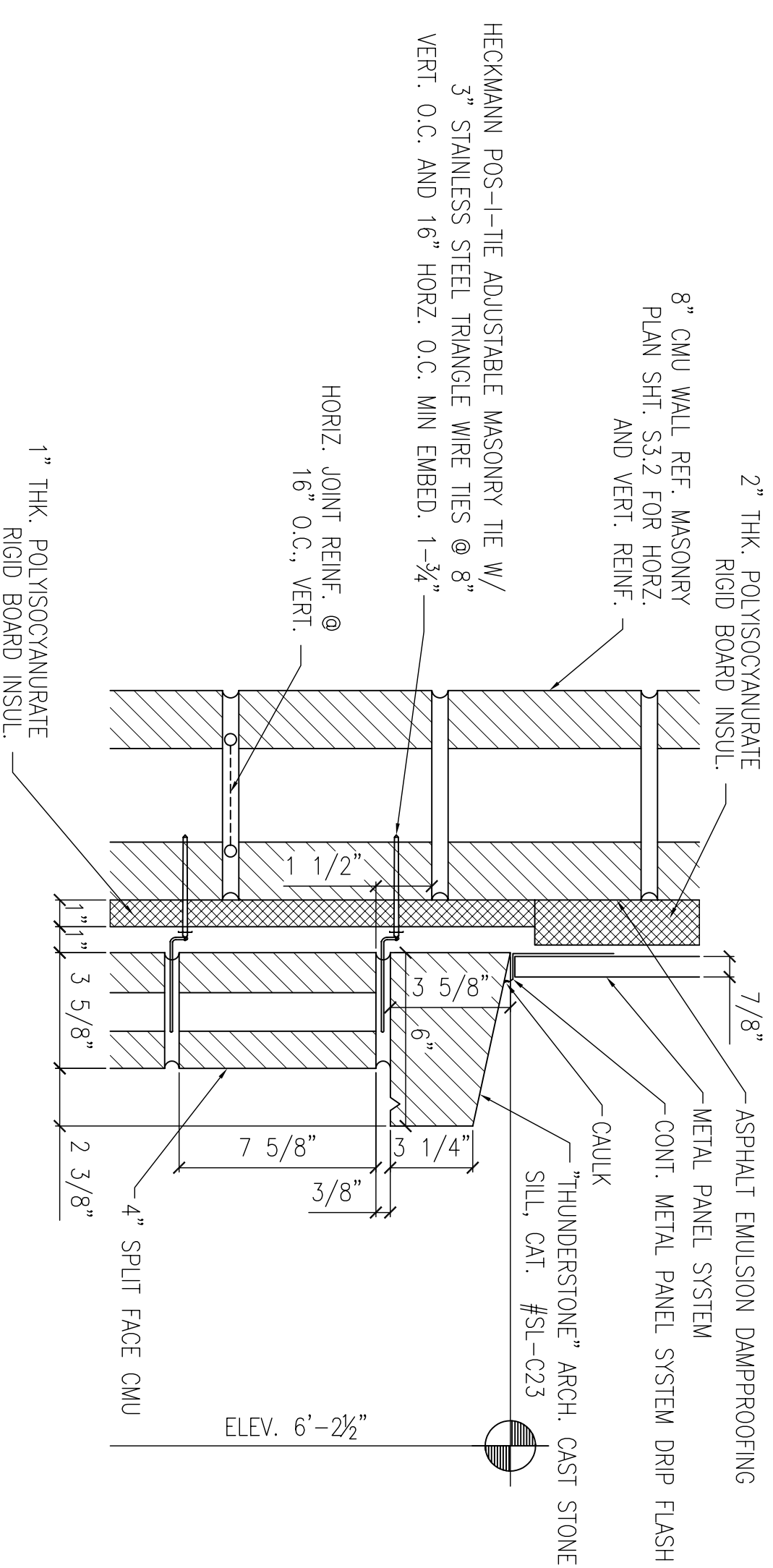
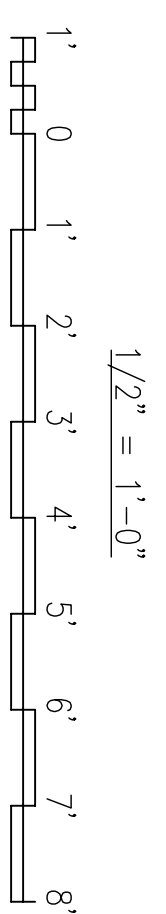
FRAMING SECTION AT CLERESTORY
1/2" = 1'-0"
A1.8



SECTION AT FRONT ENTRANCE OVERHANG
1/2" = 1'-0"
A1.9



ROOF OVERHANG DETAIL
1/2" = 1'-0"
A1.3



CAST STONE SILL DETAIL
N.T.S.
A1.3



DEPARTMENT OF THE NAVY NAVAL FACILITIES ENGINEERING COMMAND SOUTHEAST IPT GULF COAST JOHN C. STENNIS SPACE CENTER SOF OPERATIVE AND COMBATANT CRAFT OPERATIONS FACILITY - PRE-FINAL BLDG. 2440/2441 BUILDING DETAILS	NAVAL FACILITIES ENGINEERING COMMAND SOUTHEAST MISSISSIPPI NAVAL AIR STATION JACKSONVILLE	RES. R. WATLSE DRAWN: J. THREANER REVIEWED BY: R. WATLSE PUNZIK, T. ARBIB CHIEF ENGINEER: P. DAMMON		DAMMON ENGINEERING, INC. 4000 W. UNIVERSITY BLVD. SUITE 200 DARMON, LA 70017 (985) 649-4312 ESTABLISHED 1978		<table border="1"> <thead> <tr> <th>SYM</th> <th>DESCRIPTION</th> <th>DATE</th> <th>APPR</th> </tr> </thead> <tbody> <tr> <td> </td> <td> </td> <td> </td> <td> </td> </tr> <tr> <td> </td> <td> </td> <td> </td> <td> </td> </tr> <tr> <td> </td> <td> </td> <td> </td> <td> </td> </tr> <tr> <td> </td> <td> </td> <td> </td> <td> </td> </tr> </tbody> </table>	SYM	DESCRIPTION	DATE	APPR																
SYM	DESCRIPTION	DATE	APPR																							