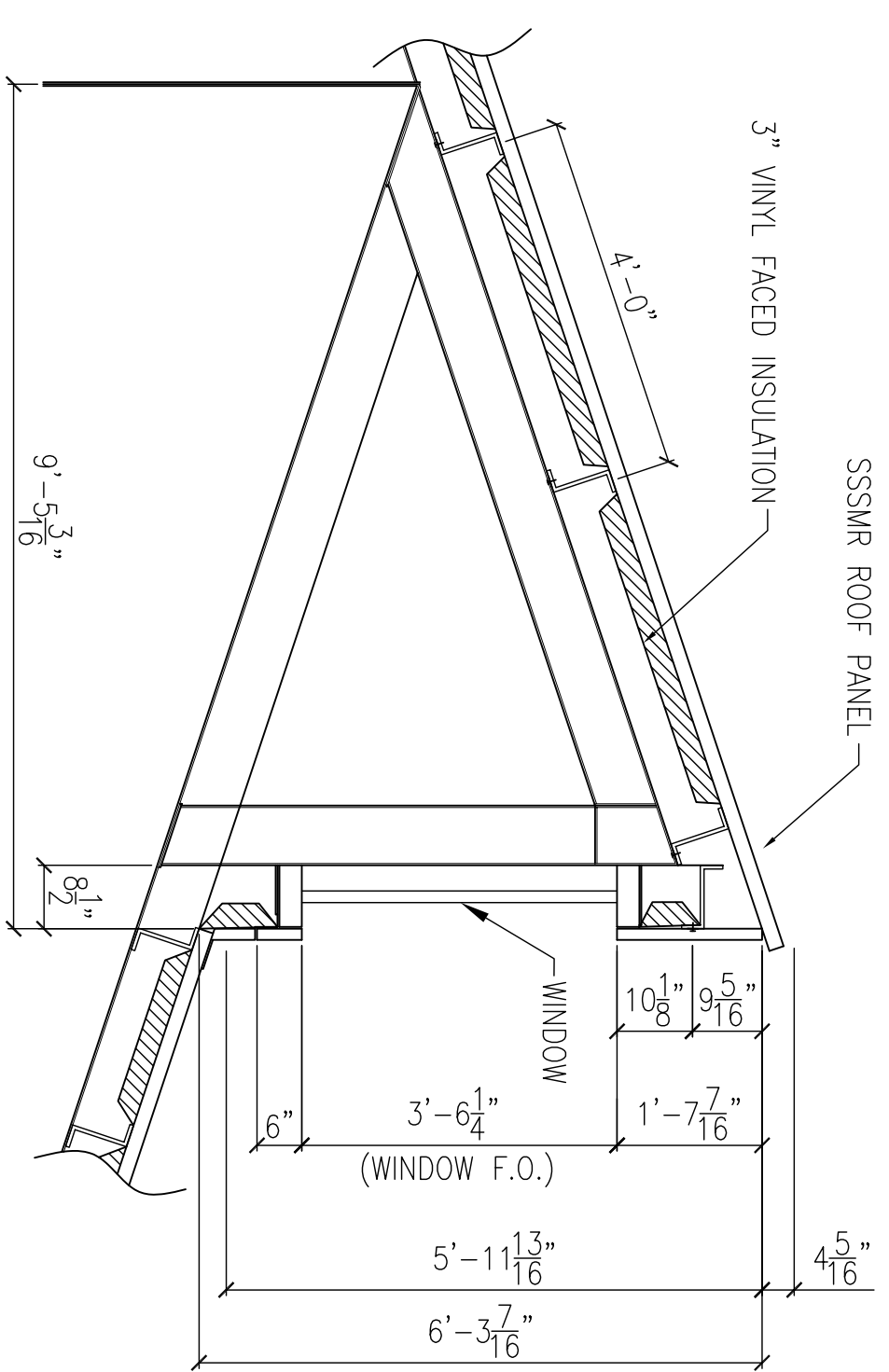
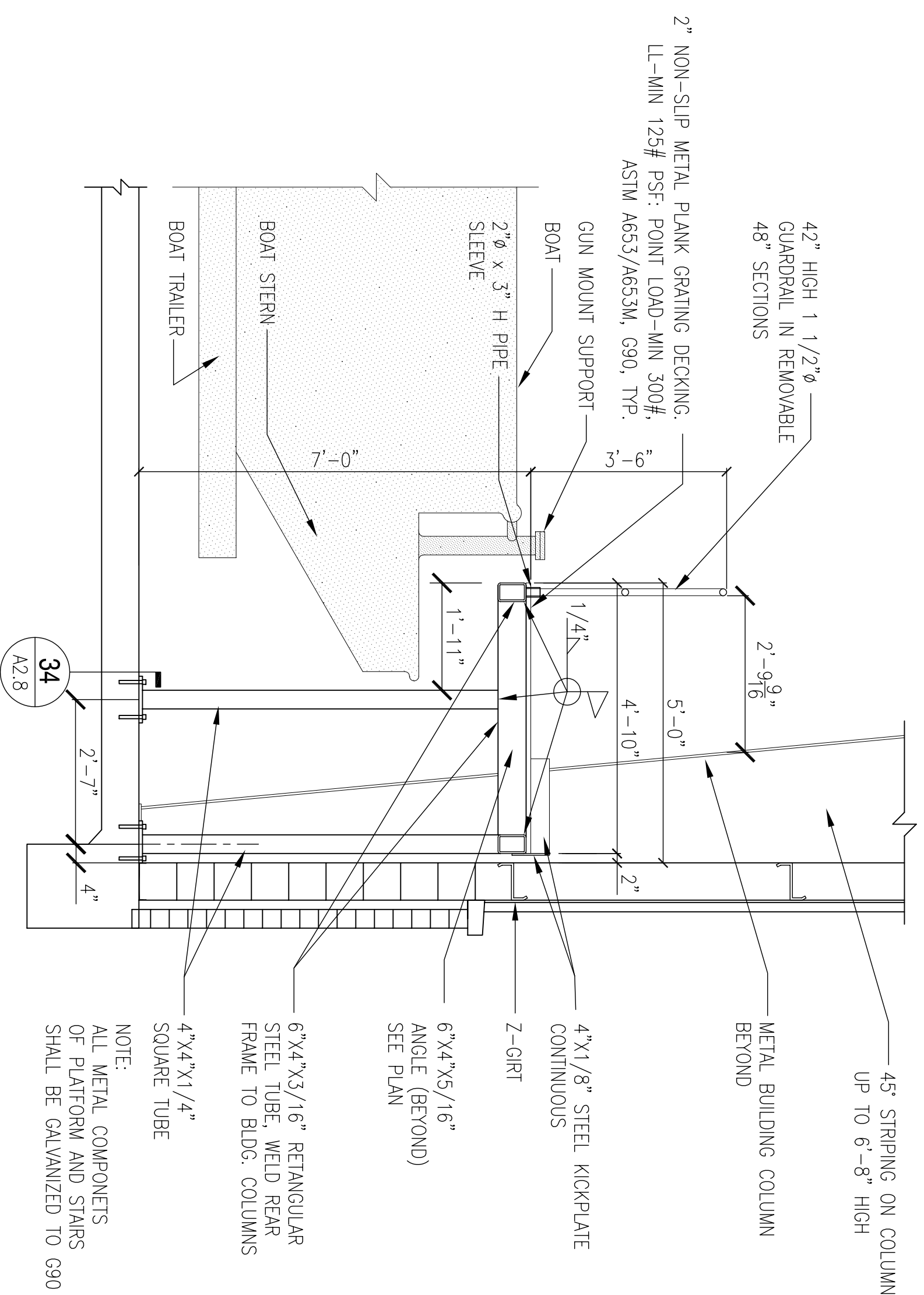


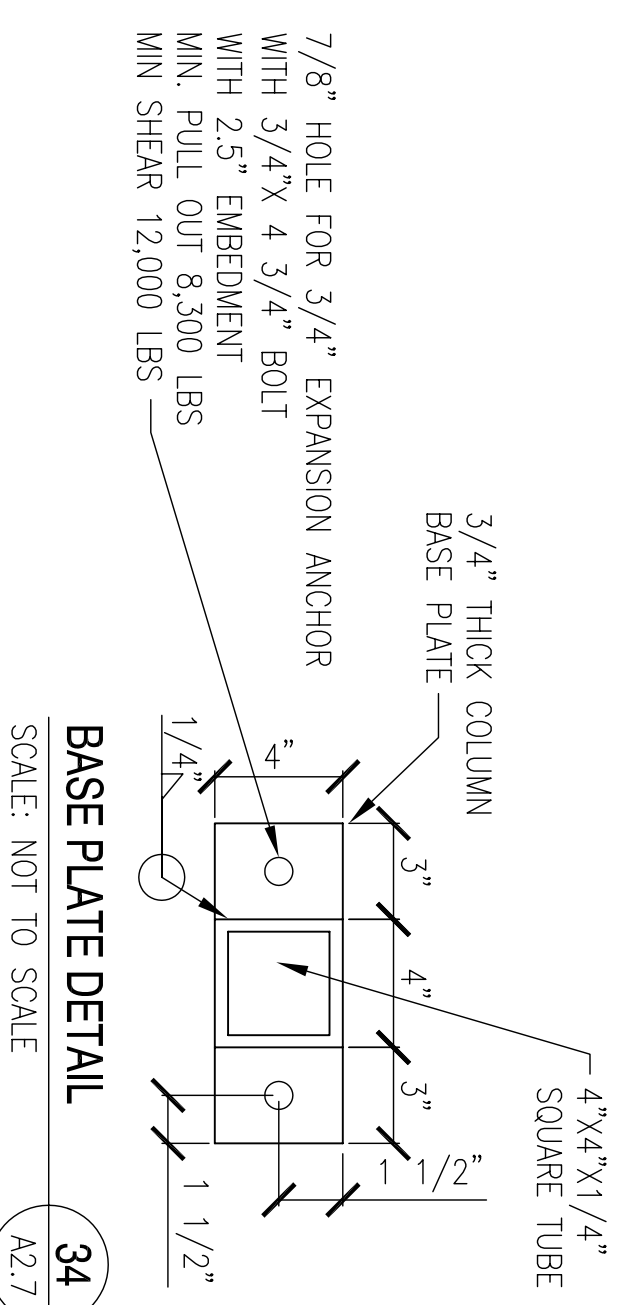
SECTION AT CATWALK STAIRS
SCALE: 1/2" = 1'-0"
S2.2



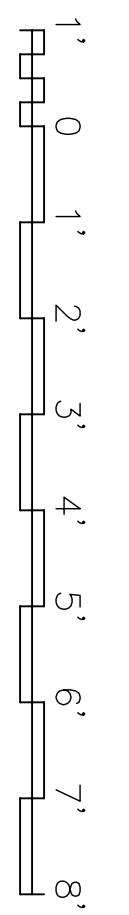
SECTION AT CLERESTORY
SCALE: 1/2" = 1'-0"
A2.2



DETAIL AT CATWALK
SCALE: 1/2" = 1'-0"
S2.2



BASE PLATE DETAIL
SCALE: NOT TO SCALE
A2.7



REVDATE:

A

B

C

D

A

B

C

D

			DES. R. WITSE	DRW. J. MIFANIV
			CHECKED BY: R. WITSE IN CHARGE: T. LARSEN PROJECT MANAGER: C. WITSE PROJECT ENGINEER: R. WITSE PROJECT SUPERVISOR: P. DAMMON SIOUX FALLS, SD 57105 (985) 649-5312 ESTABLISHED 4/2008	DEPARTMENT OF THE NAVY NAVAL FACILITIES ENGINEERING COMMAND NAVAL FACILITIES ENGINEERING COMMAND SOUTHEAST NAVAL AIR STATION JACKSONVILLE MISSISSIPPI JOHN C. STENNIS SPACE CENTER SOF RIVERINE AND COMBATANT CRAFT OPERATIONS FACILITY - PRE-FINAL BLDG. 2442 BLDG. DETAILS
CODE ID NO. N4412 SCALE: AS SHOWN STA. PROJ. NO. P-210 WORK ORDER NO. 510247 CONSTR. CENTER NO. N62467-05-0-0096 NAVFAC DRAWING NO. 15026708 SHEET 61 OF 132	DATE:	APPR:	SYM:	DESCRIPTION:

A2.8

DATE: 01 JAN 2009