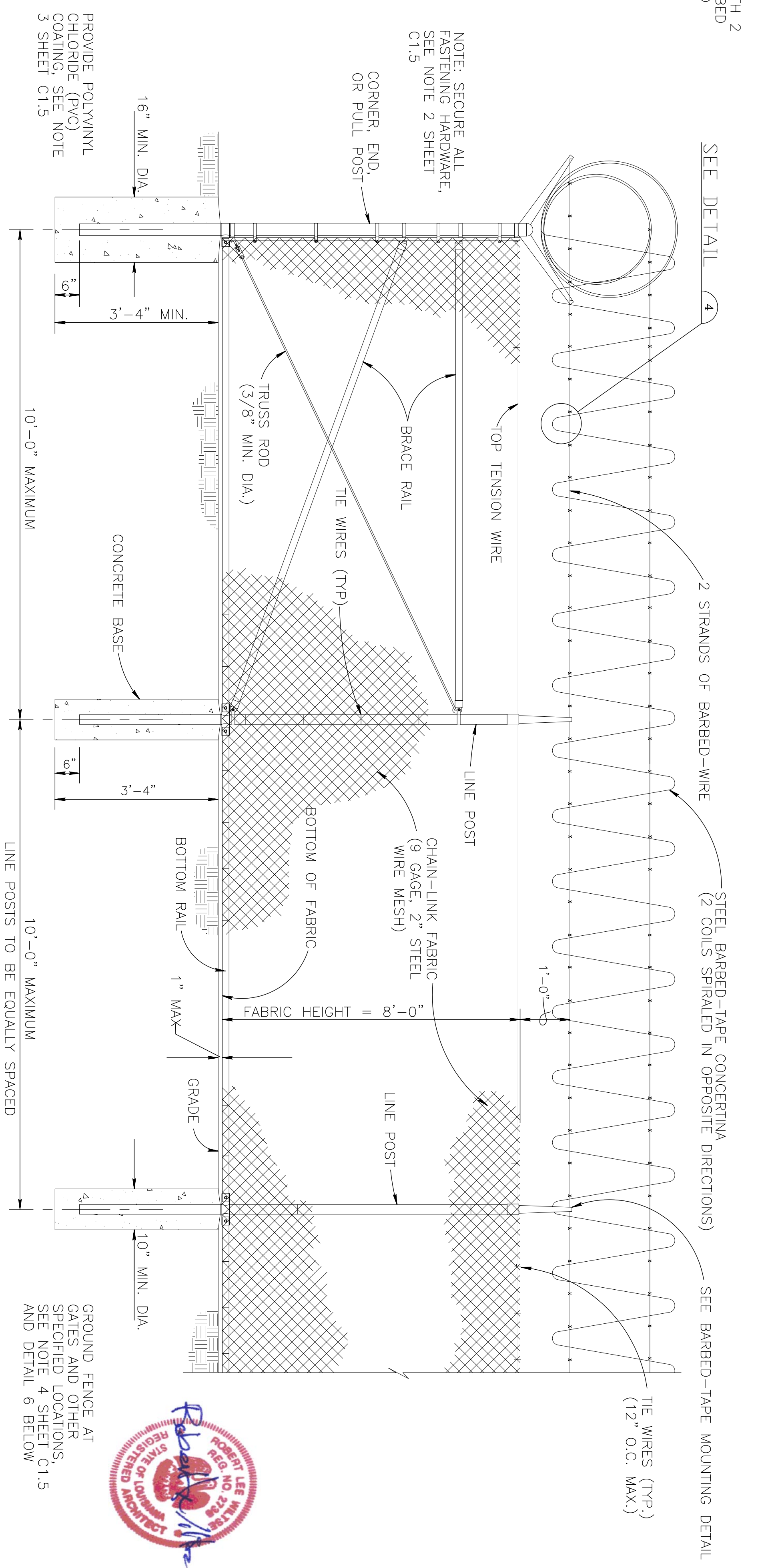
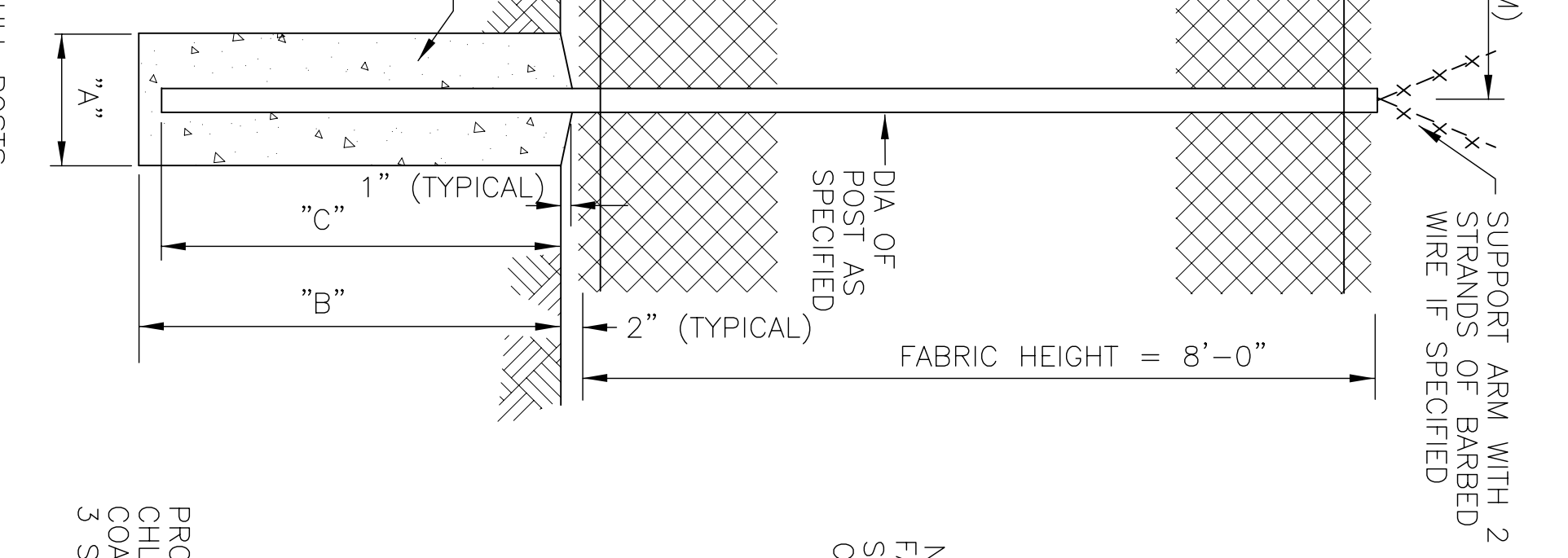


GATE LEAF WIDTH	GATE POST HEIGHT (OD)	FABRIC DIA	"A" DEPTH	"B" DEPTH	"C" POST EMBEDMENT
3' TO 6'	2.875"	3" TO 5"	12"	38"	36"
6' TO 10'	3.000"	6" TO 9"	14"	42"	40"
10' TO 12'	4.000"	10" TO 12"	16"	46"	44"
13' TO 18'	6.625"	3" TO 5"	14"	42"	40"
		6" TO 9"	16"	46"	44"
		10" TO 12"	18"	50"	48"

FABRIC POST HEIGHT	TYPE	"A" POST DIAM	"B" DEPTH	"C" POST EMBEDMENT
3'-0" TO 4'-0"	LINE	6"	26"	24"
	TERMINAL	10"	32"	30"
5'-0"	LINE	8"	32"	30"
	TERMINAL	10"	32"	30"
6'-0" TO 9'-0"	LINE	12"	38"	36"
	TERMINAL	12"	38"	36"
10'-0" TO 12'-0"	LINE	18"	38"	36"
	TERMINAL	18"	38"	36"
13'-0" TO 18'-0"	LINE	24"	42"	40"
	TERMINAL	24"	42"	40"

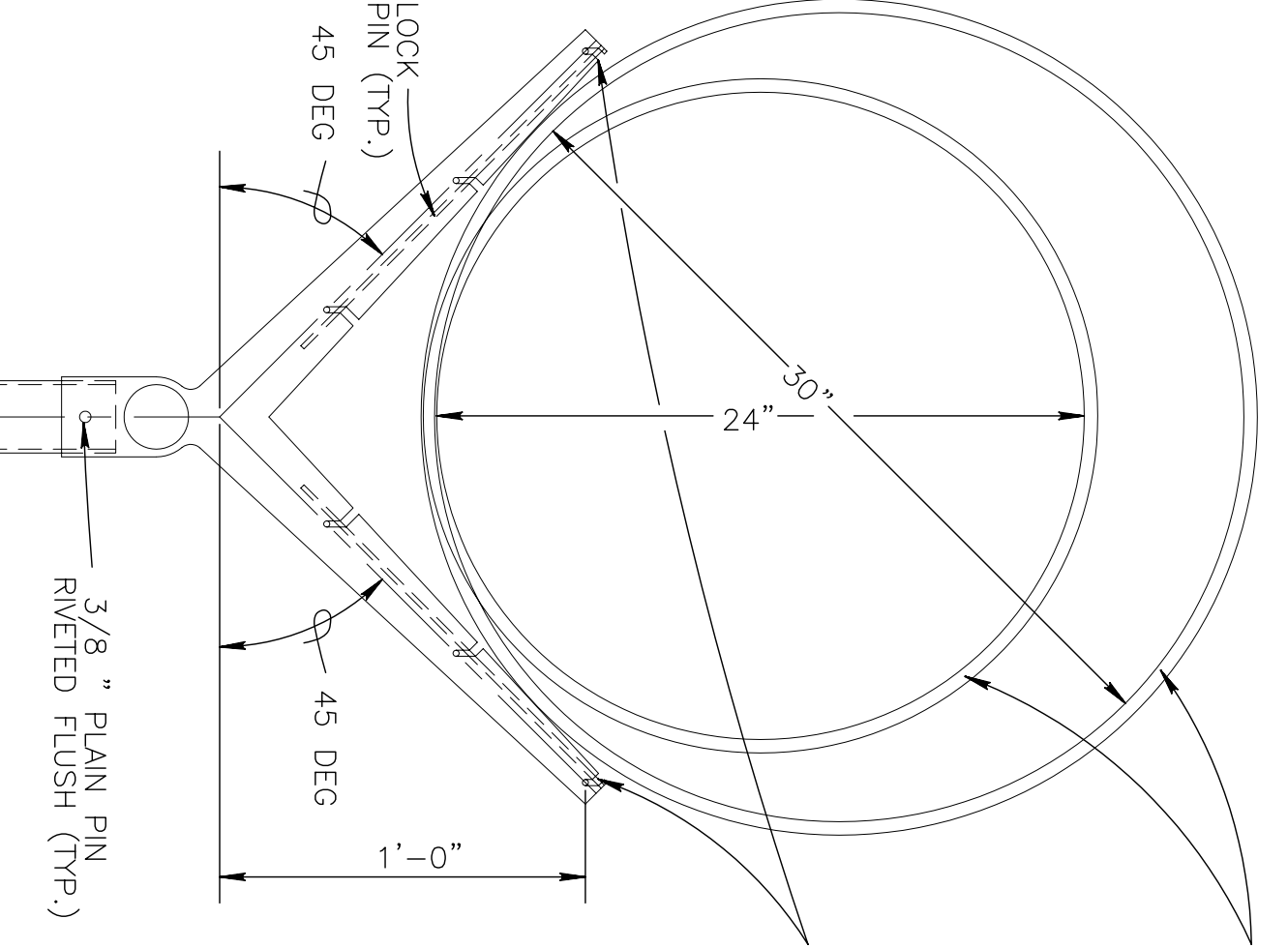
NOTE: TERMINAL POSTS INCLUDE END, CORNER, AND PULL POSTS

**CHAIN LINK FENCE**  
C1.4



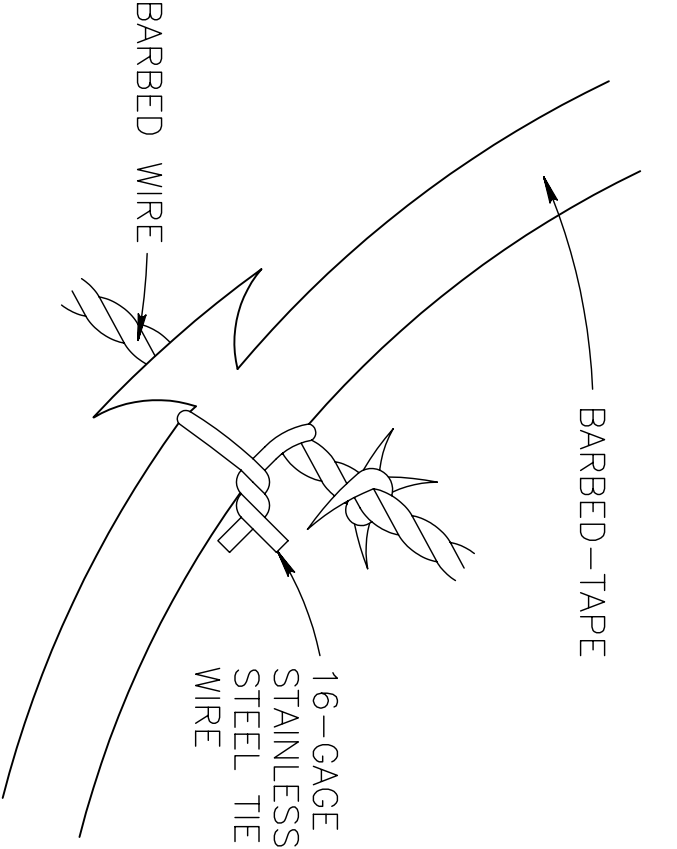
**CHAIN LINK SECURITY FENCE DETAIL**  
C1.1

GROUND FENCE AT GATES AND OTHER SPECIFIED LOCATIONS, SEE NOTE 4 SHEET C1.5 AND DETAIL 6 BELOW

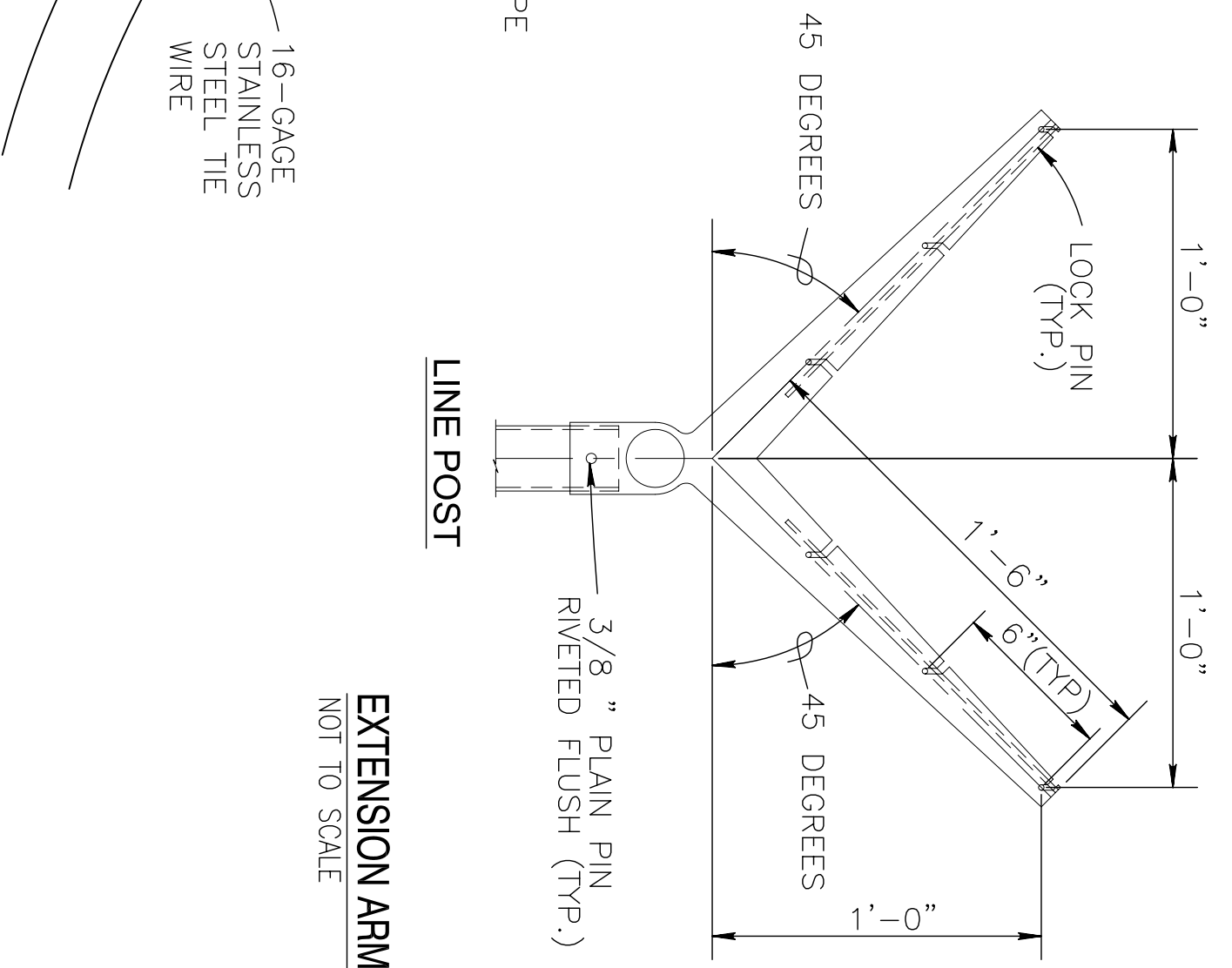


BOTH TAPE COILS TIED TO BARBED WIRES AT EVERY SPIRAL TURN ON BOTH SIDES OF OUTRIGGER

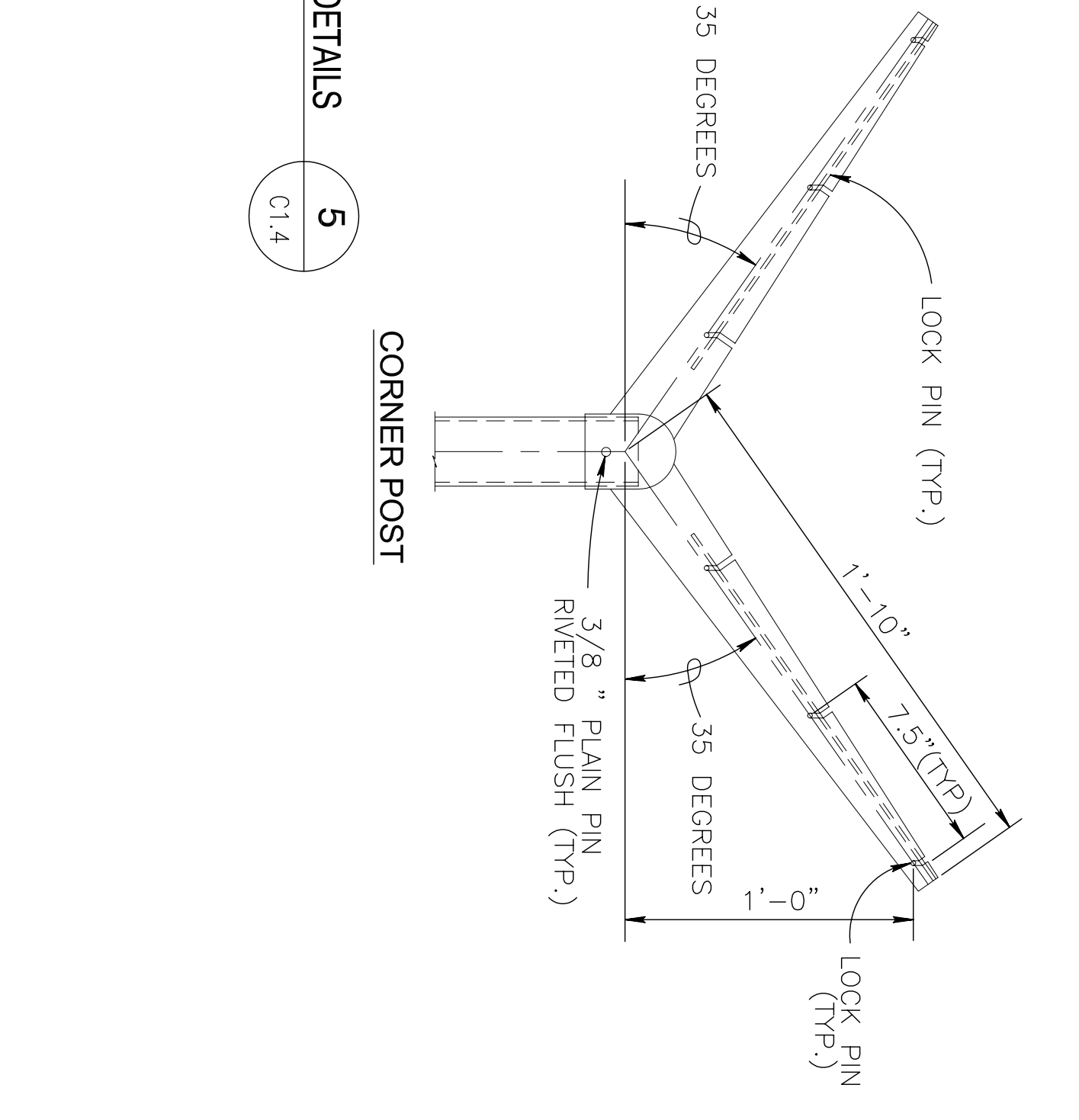
**1**  
C1.4



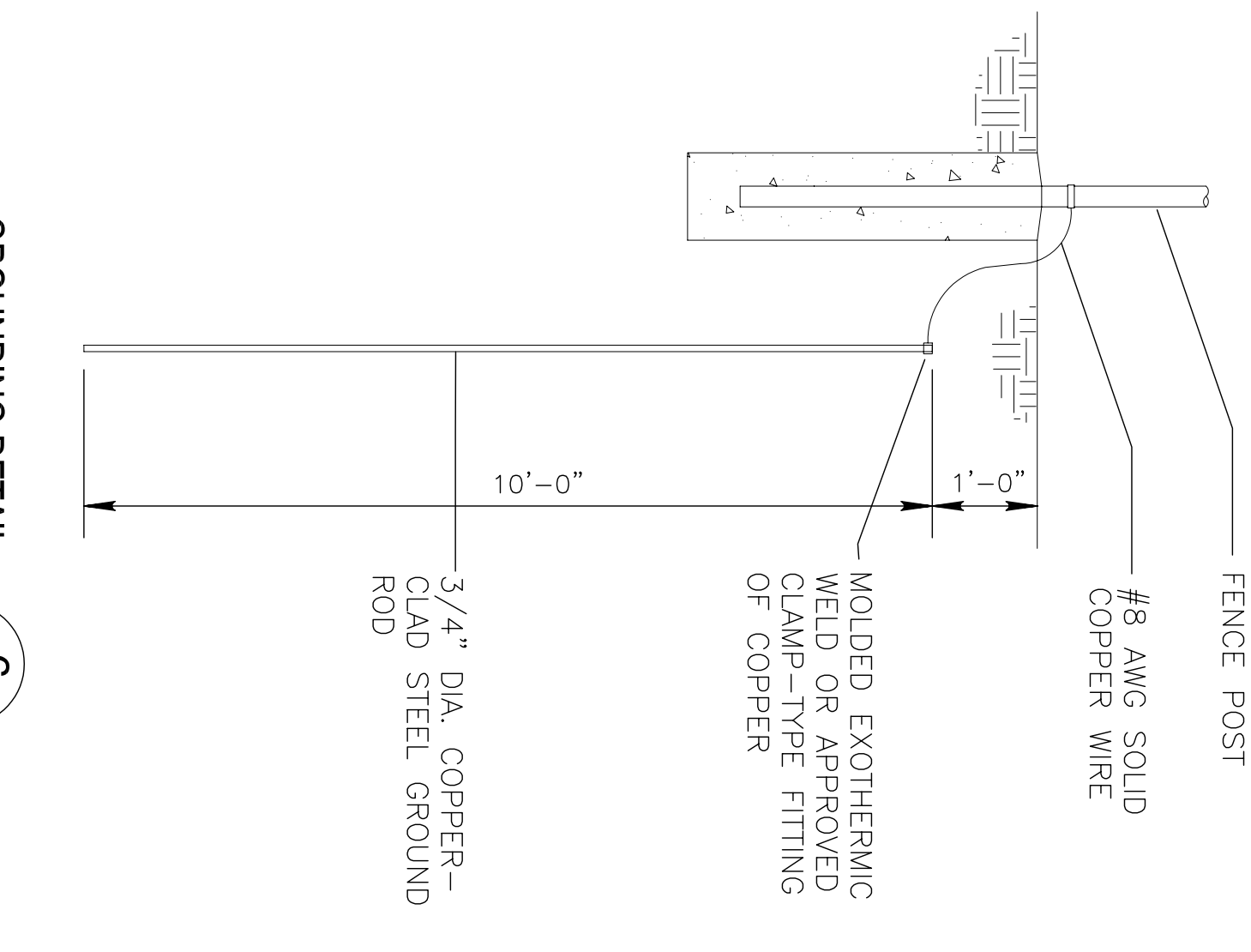
**3**  
C1.4



**EXTENSION ARM DETAILS**  
C1.4



**5**  
C1.4



**GROUNDING DETAIL**  
C1.4

REVDATE:

1 2 3 4 5

		DEPARTMENT OF THE NAVY NAVAL FACILITIES ENGINEERING COMMAND NAVAL AIR STATION JACKSONVILLE MISSISSIPPI
		JOHN C. STENNIS SPACE CENTER <b>SOF RIVERINE AND COMBATANT CRAFT OPERATIONS FACILITY - PRE-FINAL</b> SITE CIVIL DETAILS
DESIGNED BY: R. WILSE DRAWN BY: J. LOOISE REVIEWED BY: R. WILSE PUN/INK: T. ARBIB CHECKED BY: P. DAMMON DATE: 10/07/13		DAMMON ENGINEERING, INC. 1000 W. UNIVERSITY BLVD. SUITE 100 BOSSIERE, LA 70050 (985) 649-5312 www.dammoneng.com
CODE ID: NGS 14412 SCALE: AS SHOWN SHEET NO.: P-210 WORK ORDER NO.: 510247 CONTR. CENTER NO.: N62467-05-0-0096 NAVFAC DRAWING NO.: 15026552 SHEET: 10 OF 132	DATE: _____ APPR: _____ SYM: _____	DESCRIPTION: _____ DATE: _____ APPR: _____