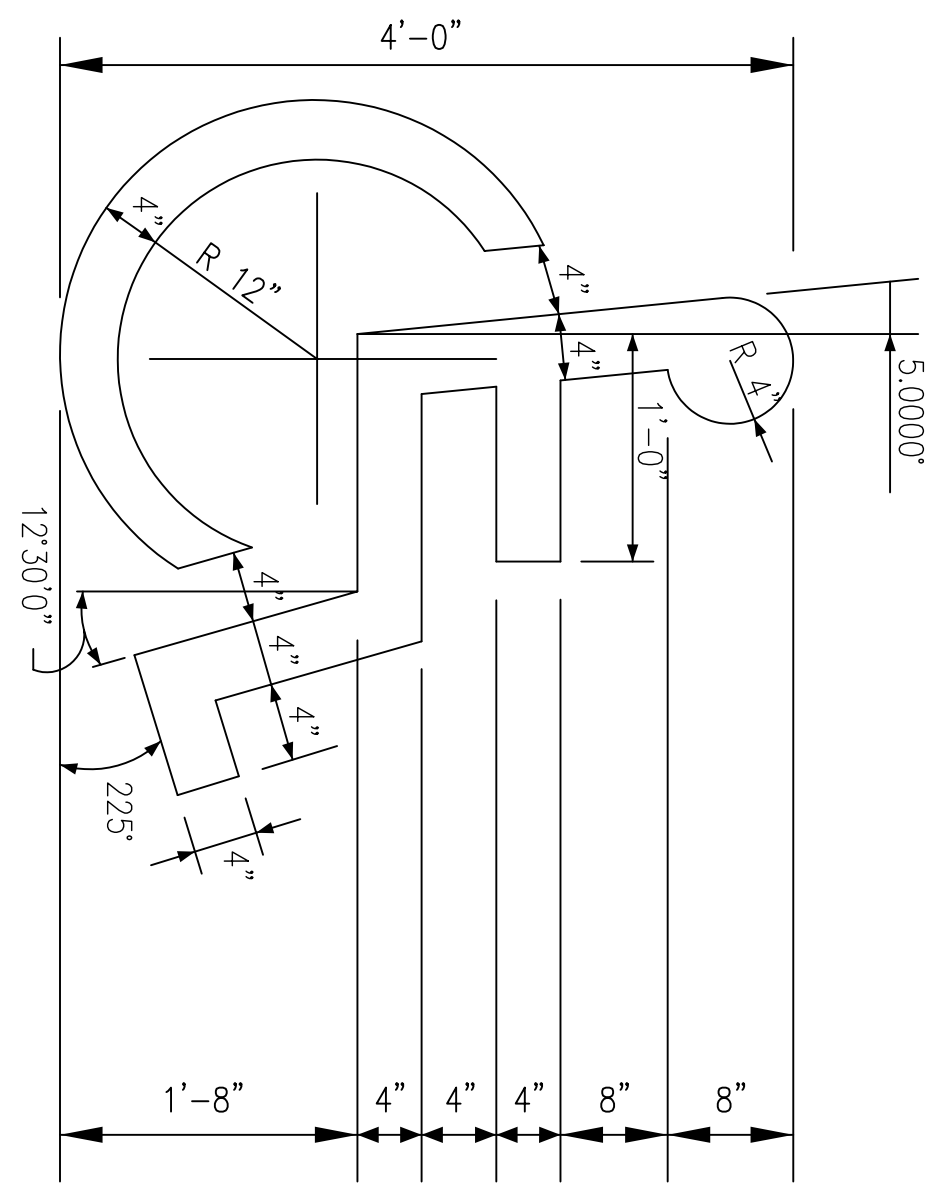
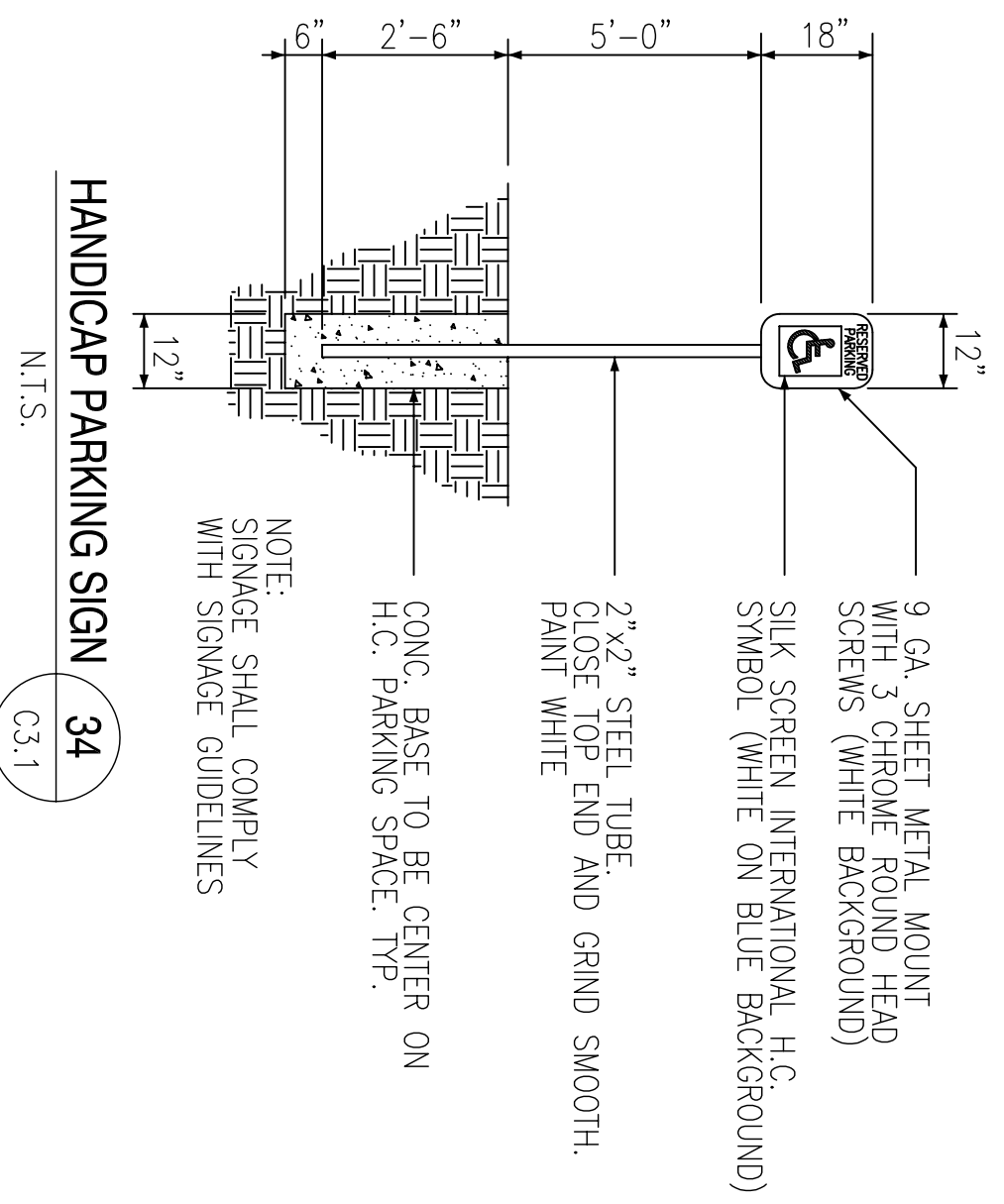


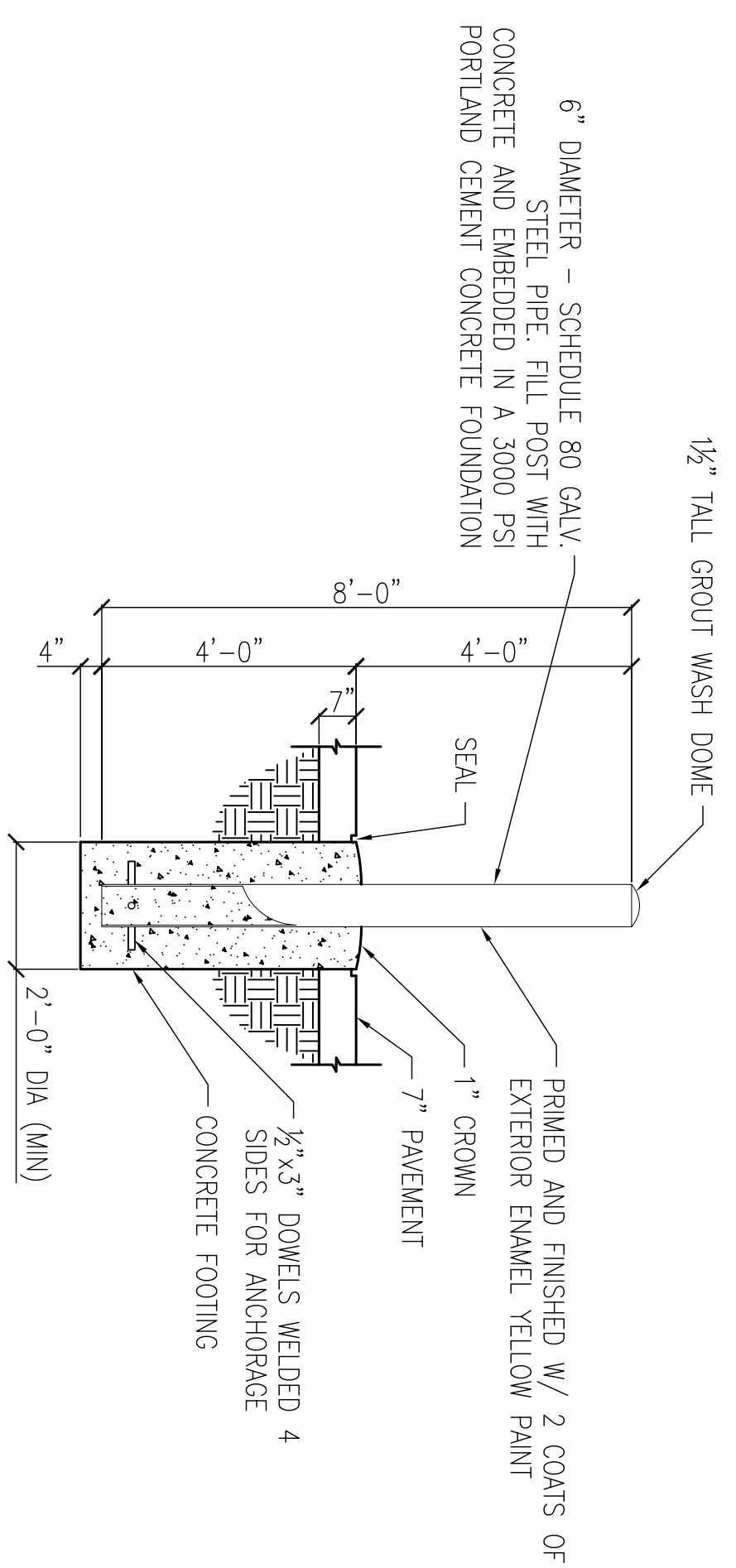
32
LIGHT POLE FOUNDATION DETAIL
NOT TO SCALE
E1.5



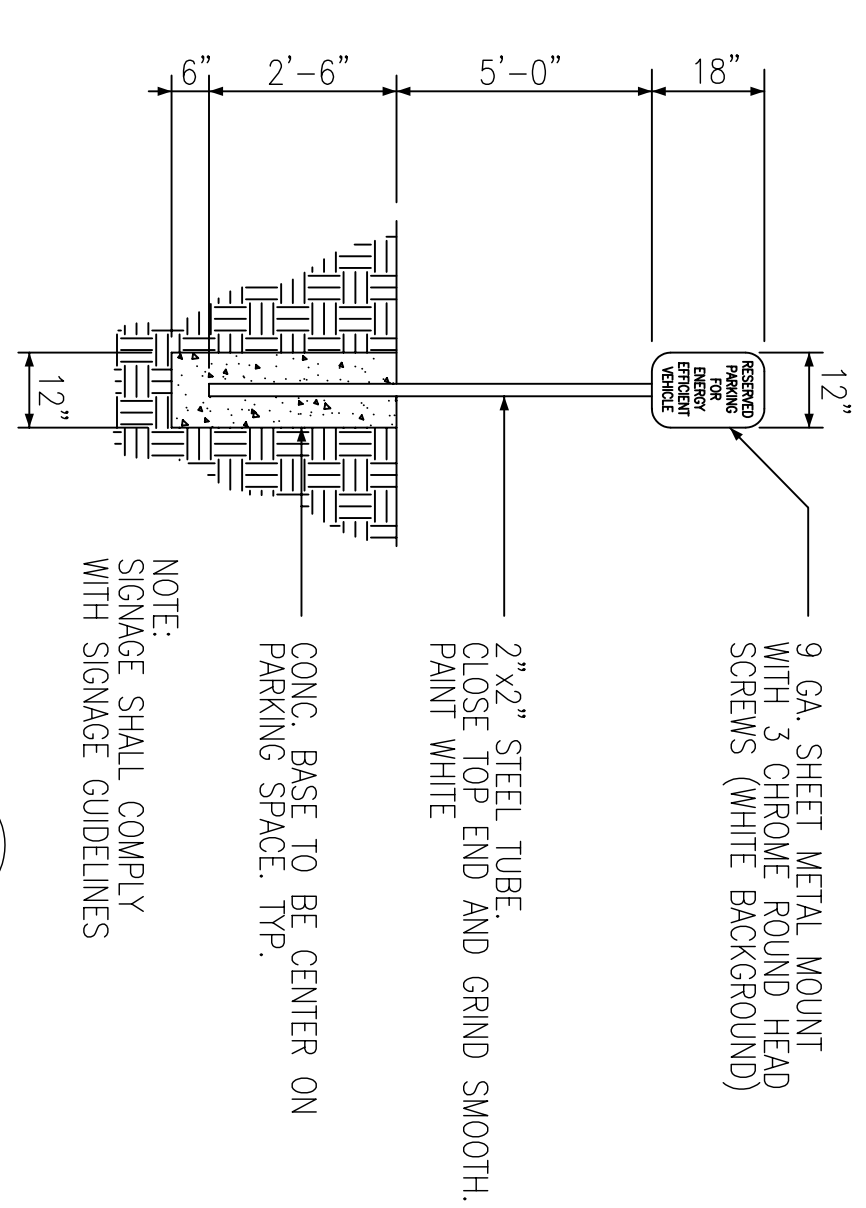
33
HANDICAP SYMBOL DETAIL
N. T. S.
C3.1



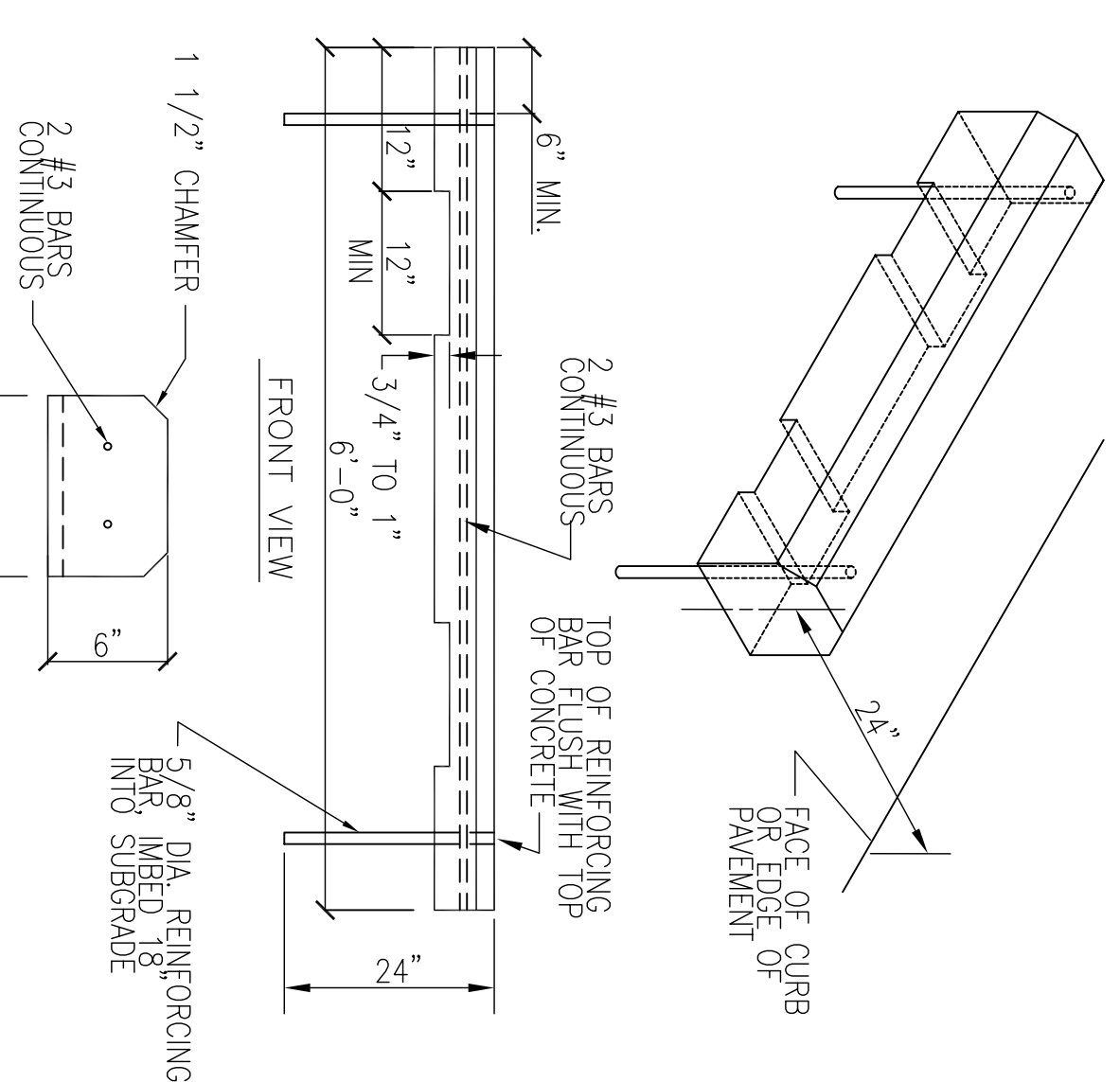
34
HANDICAP PARKING SIGN
N.T.S.
C3.1



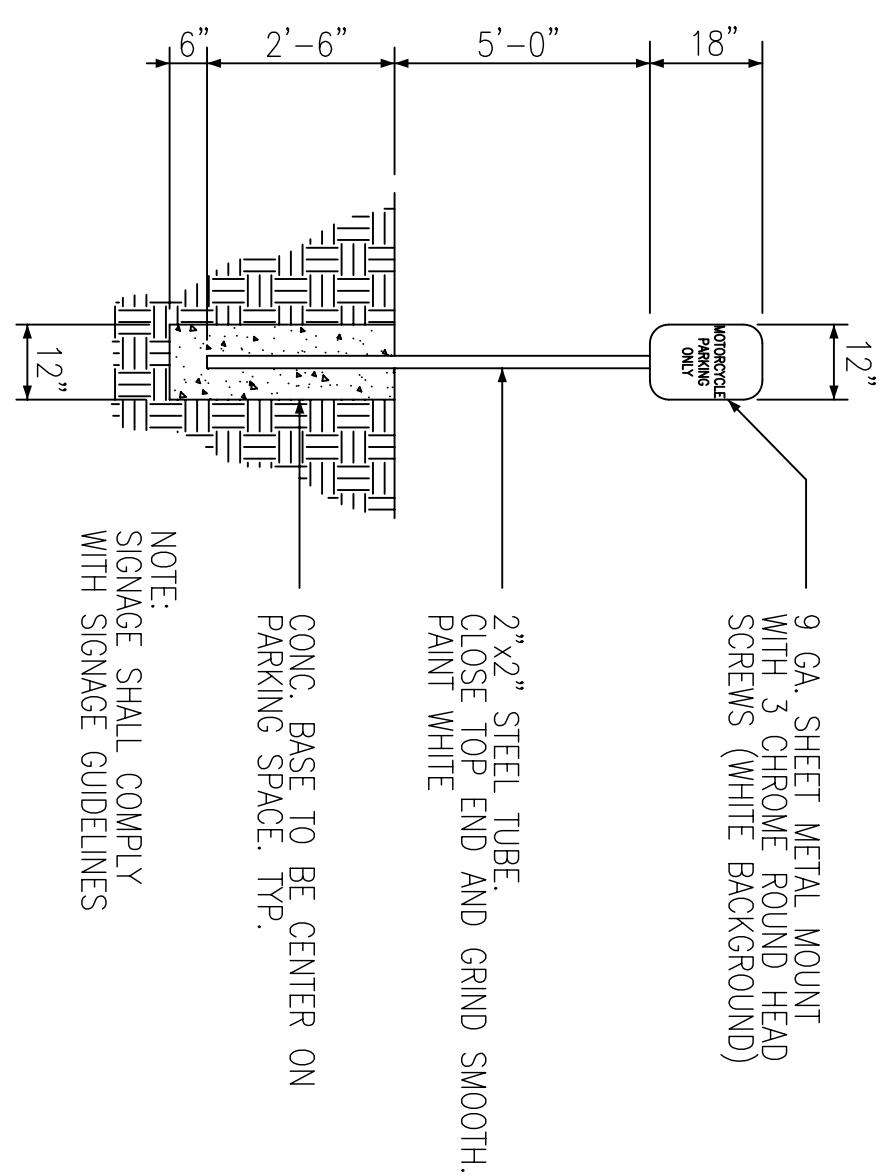
35
BOLLARD DETAIL
N.T.S.
C3.1



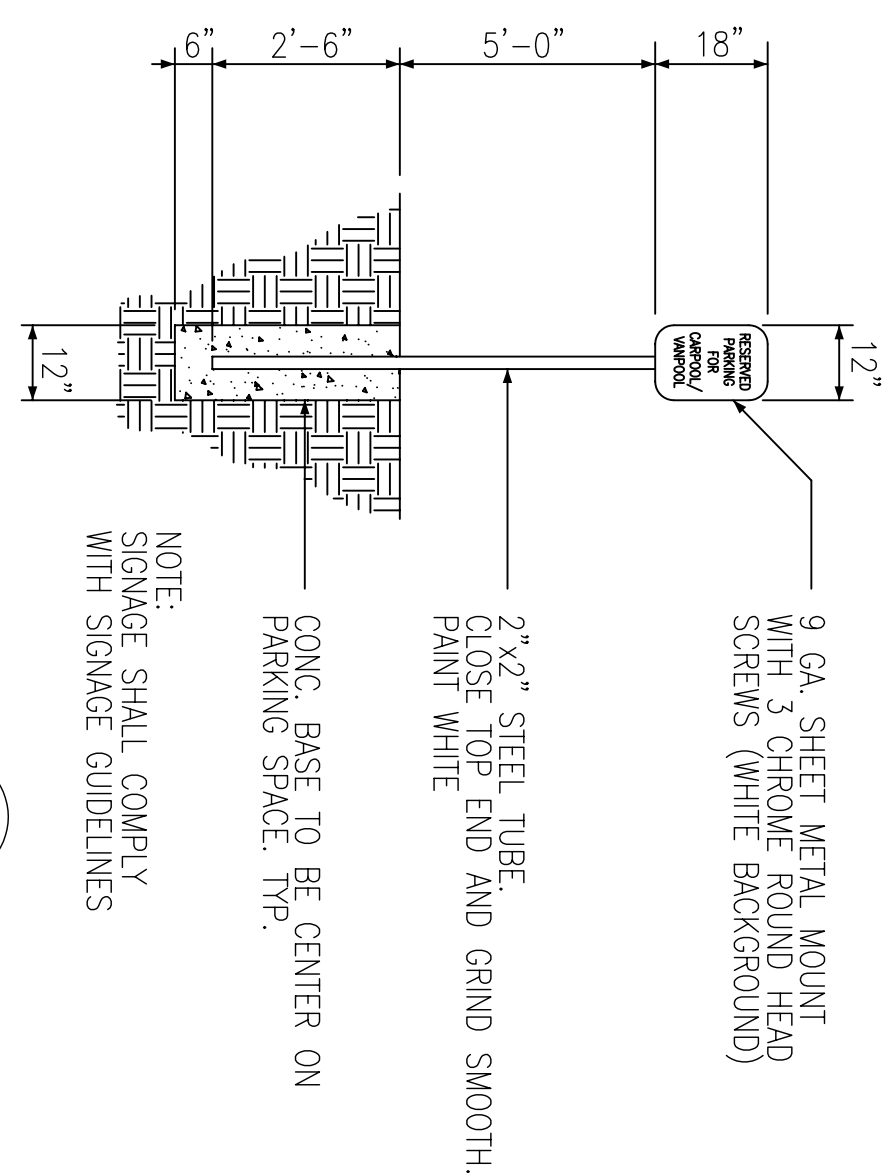
36
ENERGY EFFICIENT PARKING SIGN
N.T.S.
C3.1



37
PARKING BUMPER
(PRECAST CONCRETE)
NOT TO SCALE
C3.1



38
MOTORCYCLE PARKING SIGN
N.T.S.
C3.1



39
CARPOOL/VANPOOL PARKING SIGN
N.T.S.
C3.1

	DAMMON ENGINEERING, INC. CHIEF ENGINEER DAMMON, P. O. BOX 4500 SLIDELL, LA 70458 (980) 649-4312 September 4, 2009		DES. R. WITSE DRAW. J. WHELAN CHECKED BY: R. WITSE P/L: T. ARBIB CHIEF ENGINEER, P. DAMMON	DEPARTMENT OF THE NAVY NAVAL FACILITIES ENGINEERING COMMAND SOUTHEAST NAVAL AIR STATION JACKSONVILLE MISSISSIPPI SOF RIVERINE AND COMBATANT CRAFT OPERATIONS FACILITY - PRE-FINAL PAVING DETAILS	CODE ID. NO. N4412 SCALE: AS SHOWN SHEET: 20 OF 132
	JOHN C. STENNIS SPACE CENTER IPT GULF COAST WORK ORDER NO. 510247 CONTR. CENTER NO. N62467-05-0-0096 NAVFAC DRAWING NO. 15026692	DEPARTMENT OF THE NAVY NAVAL FACILITIES ENGINEERING COMMAND SOUTHEAST NAVAL AIR STATION JACKSONVILLE MISSISSIPPI SOF RIVERINE AND COMBATANT CRAFT OPERATIONS FACILITY - PRE-FINAL PAVING DETAILS	DES. R. WITSE DRAW. J. WHELAN CHECKED BY: R. WITSE P/L: T. ARBIB CHIEF ENGINEER, P. DAMMON	DEPARTMENT OF THE NAVY NAVAL FACILITIES ENGINEERING COMMAND SOUTHEAST NAVAL AIR STATION JACKSONVILLE MISSISSIPPI SOF RIVERINE AND COMBATANT CRAFT OPERATIONS FACILITY - PRE-FINAL PAVING DETAILS	CODE ID. NO. N4412 SCALE: AS SHOWN SHEET: 20 OF 132