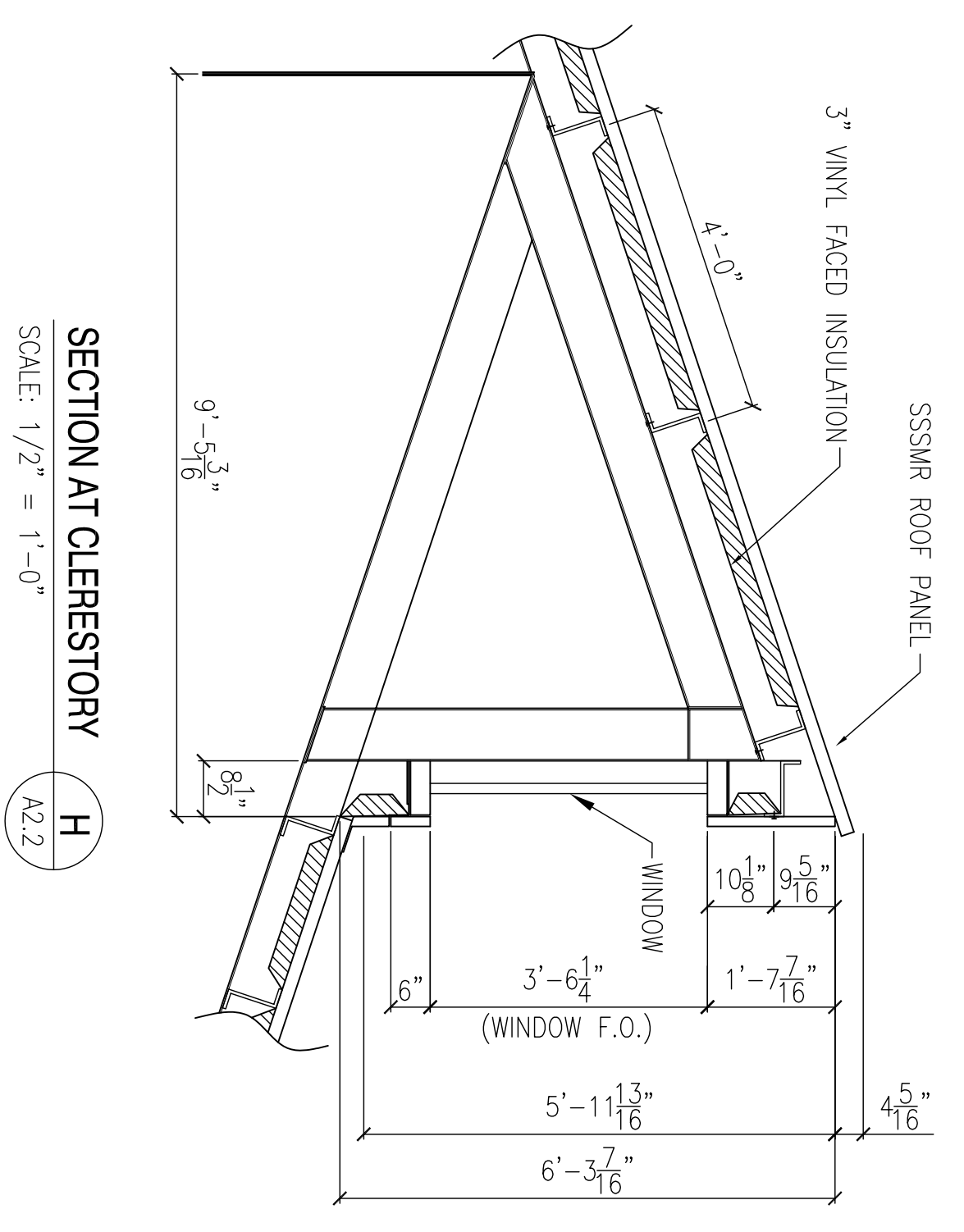
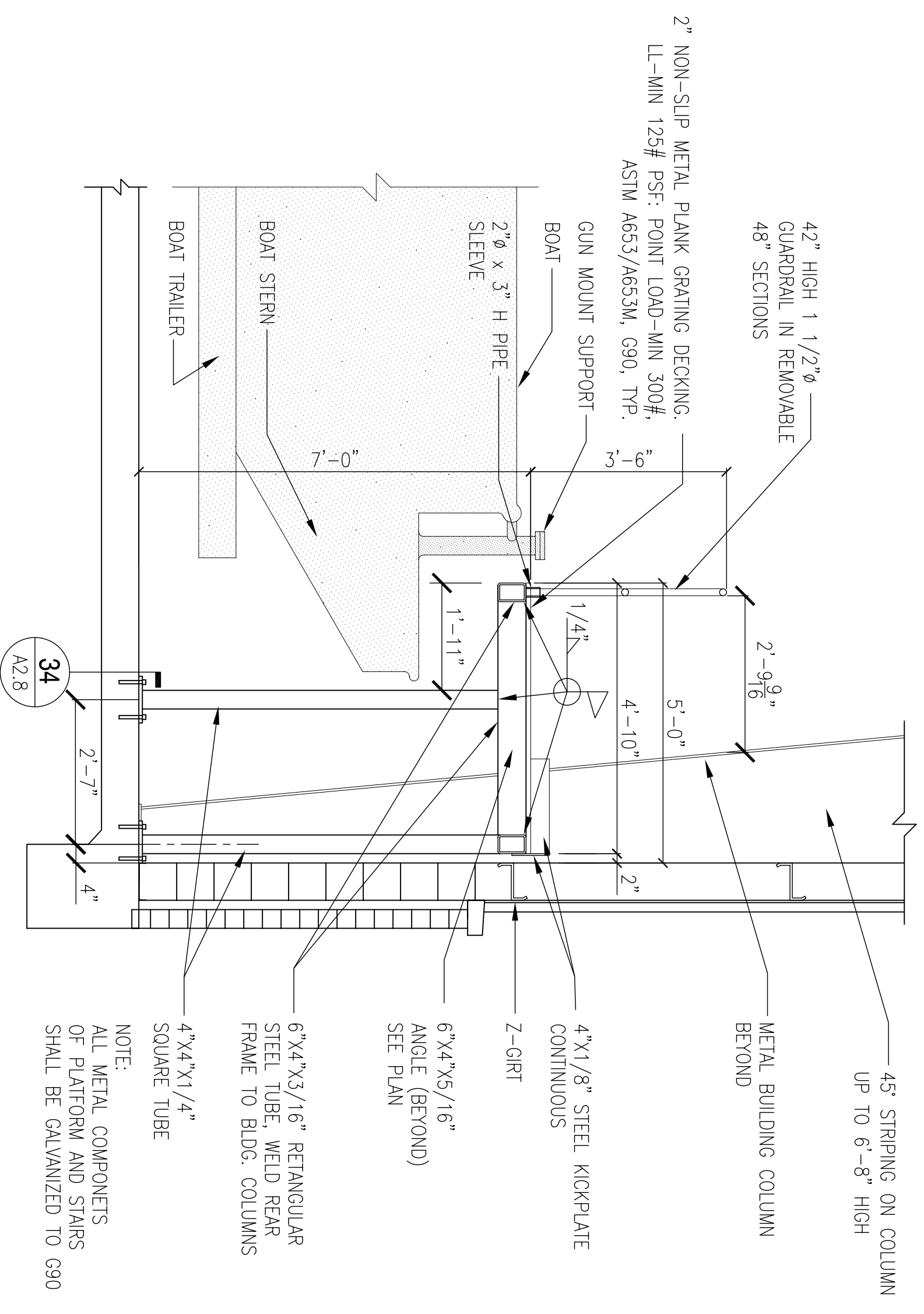


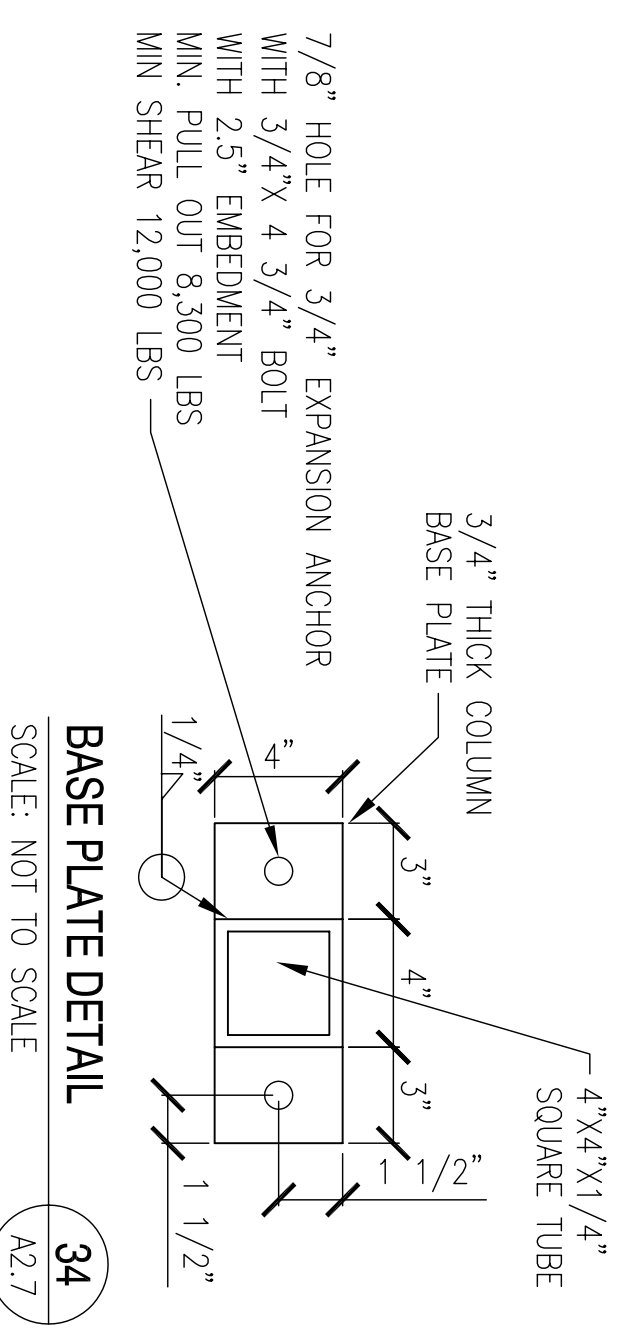
SECTION AT CATWALK STAIRS
SCALE: 1/2" = 1'-0"
S2.2 G



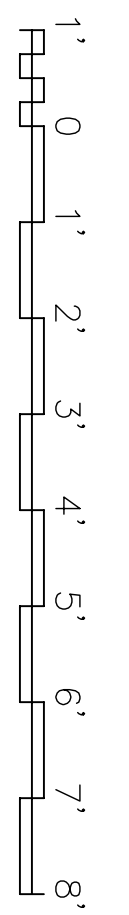
SECTION AT CLERESTORY
SCALE: 1/2" = 1'-0"
A2.2 H



DETAIL AT CATWALK
SCALE: 1/2" = 1'-0"
S2.2 33



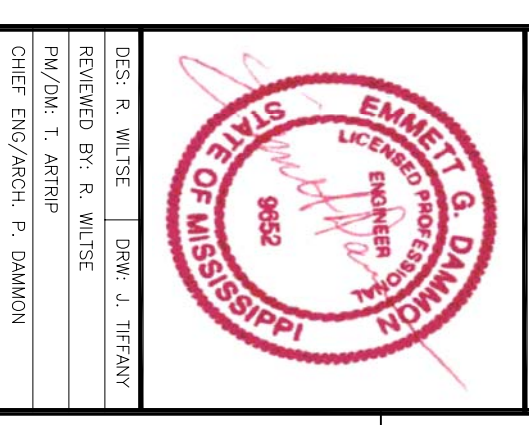
BASE PLATE DETAIL
SCALE: NOT TO SCALE
A2.7 34



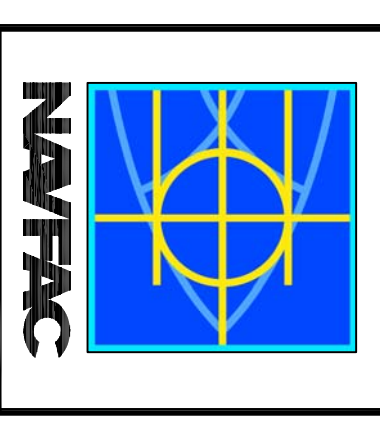
REVDATE:



DESIGNED BY: R. WITSE	DRAWN BY: J. MIFANIV
PROJECT: NAVAL FACILITIES ENGINEERING COMMAND SOUTHEAST	LOCATION: MISSISSIPPI
CLIENT: NAVAL AIR STATION JACKSONVILLE	PROJECT: SOF RIVERINE AND COMBATANT CRAFT OPERATIONS FACILITY - PRE-FINAL
DATE: 01/07/13	SCALE: 1/2" = 1'-0"



DAMMON ENGINEERING, INC.
 1000 W. UNIVERSITY BLVD.
 SUITE 100
 DAWSON, LA 70628
 (985) 649-5312
 ESTABLISHED 1982



SYM	DESCRIPTION	DATE	APPR