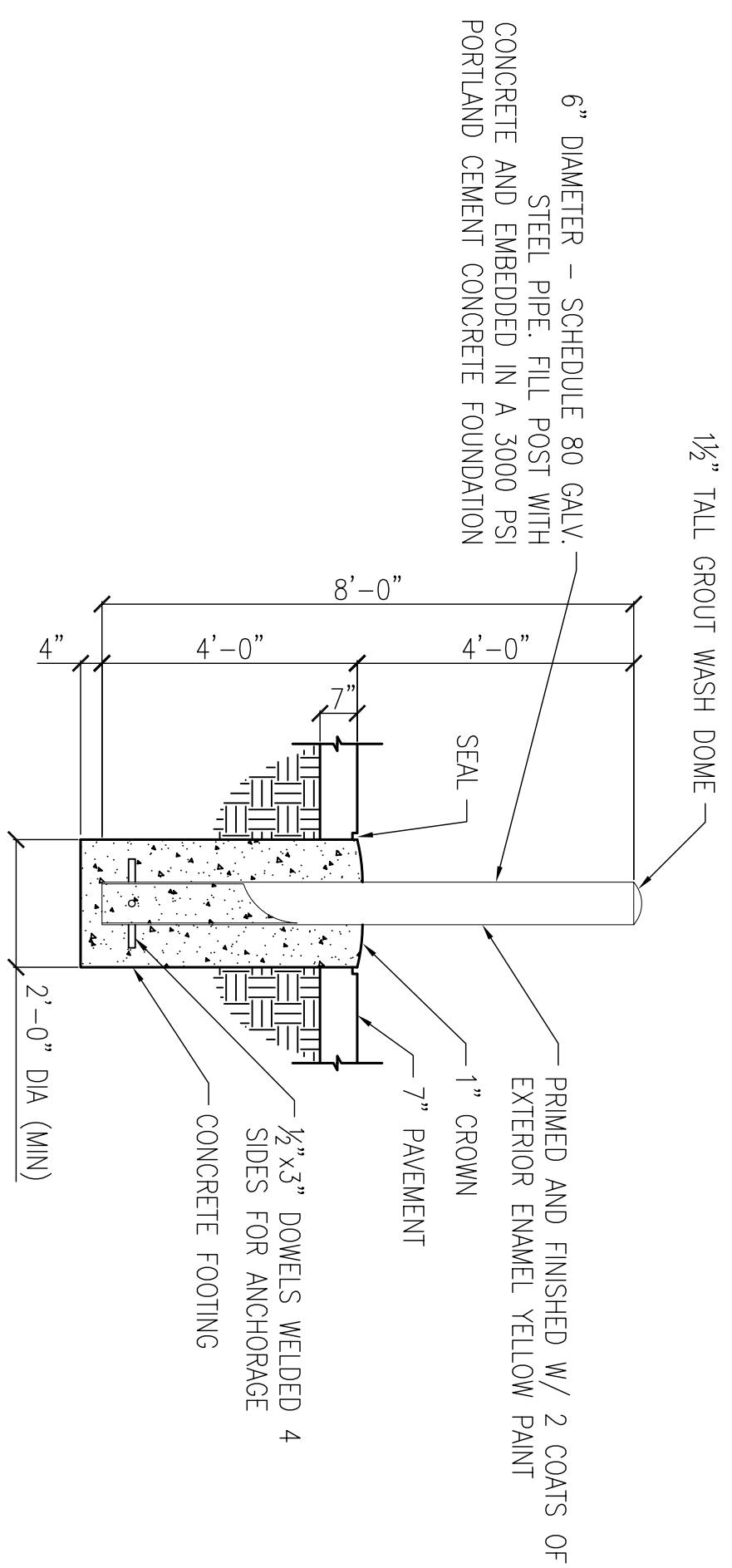
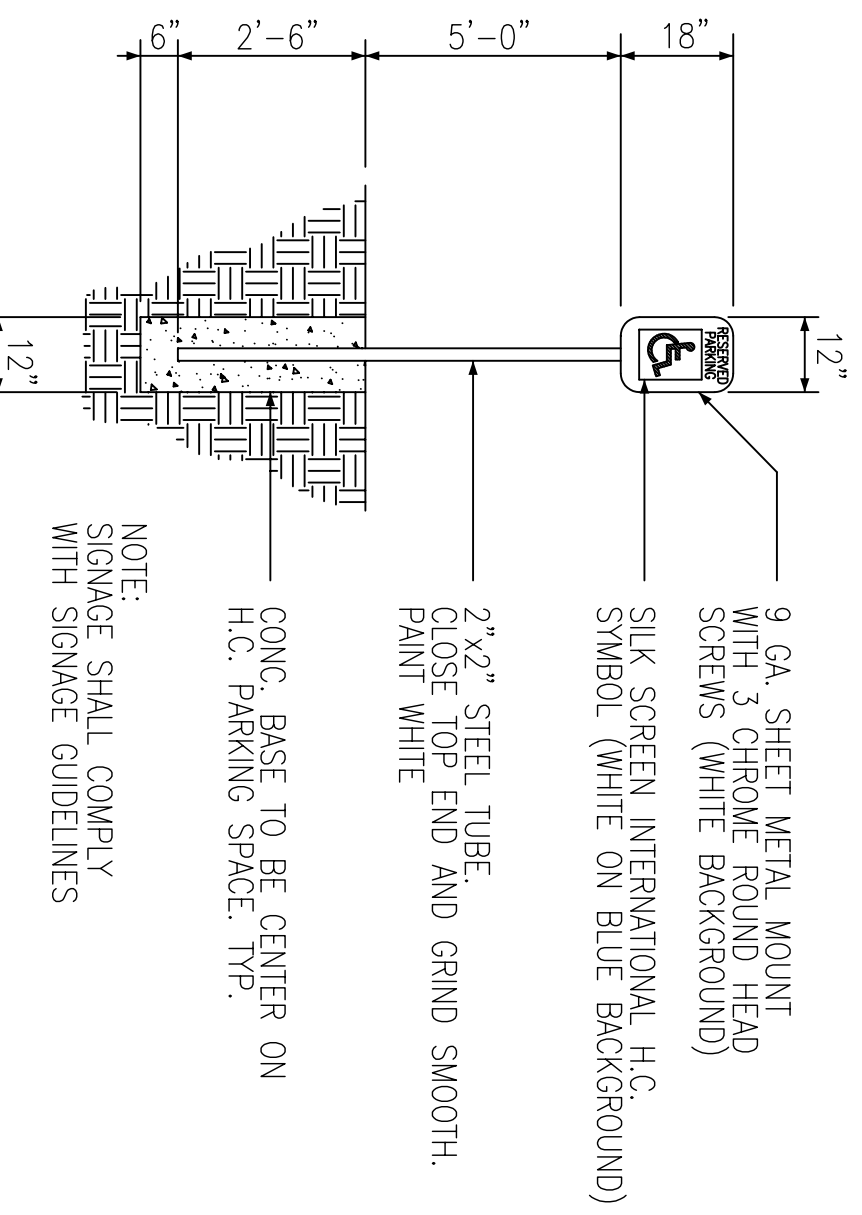
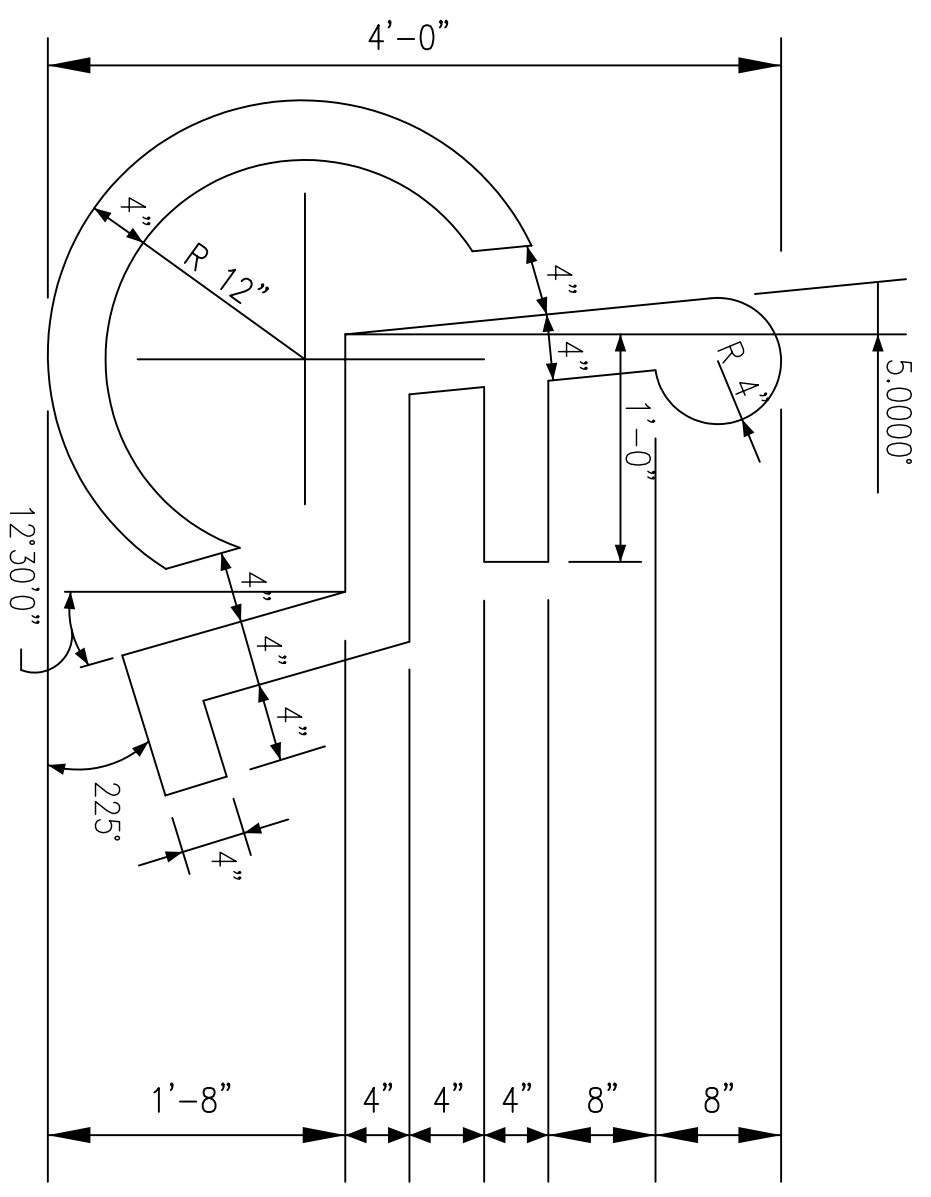
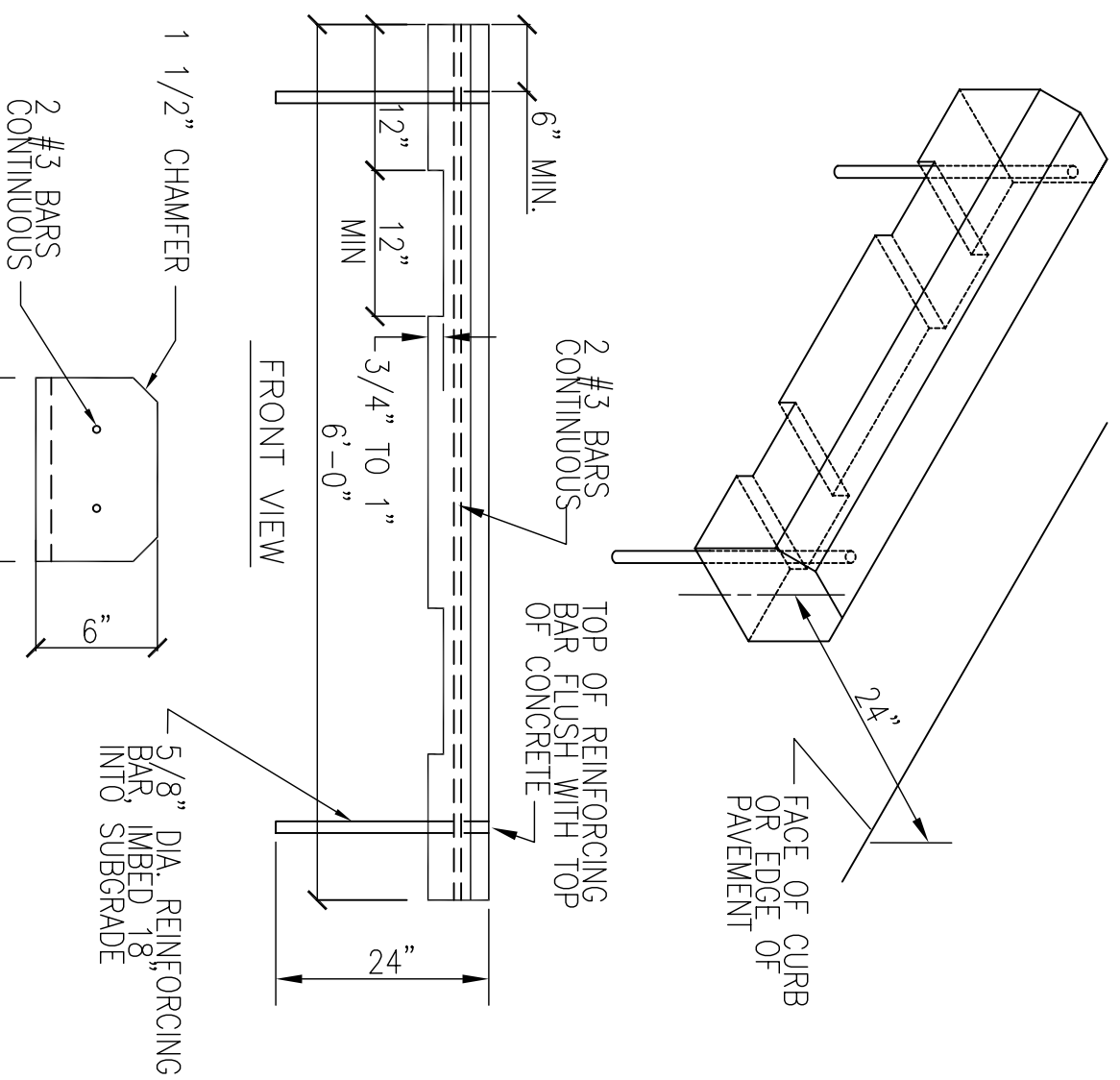
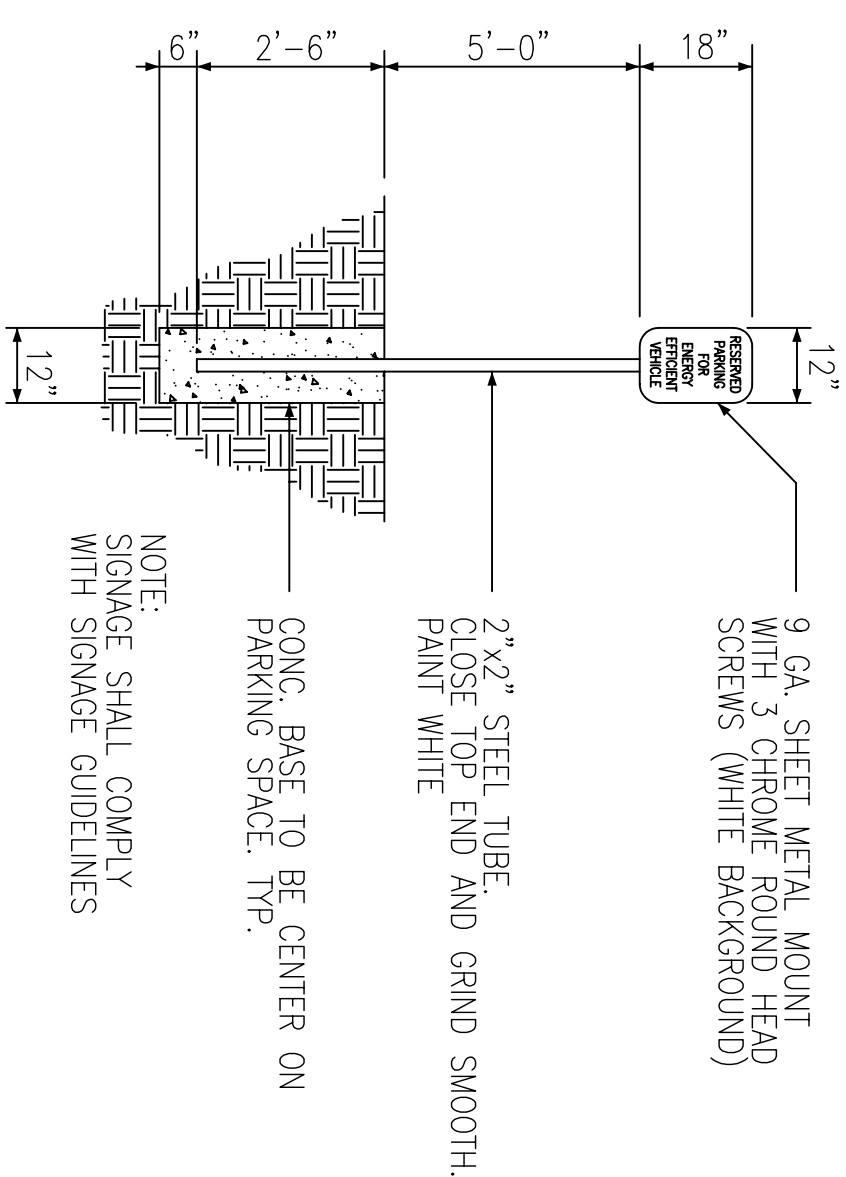


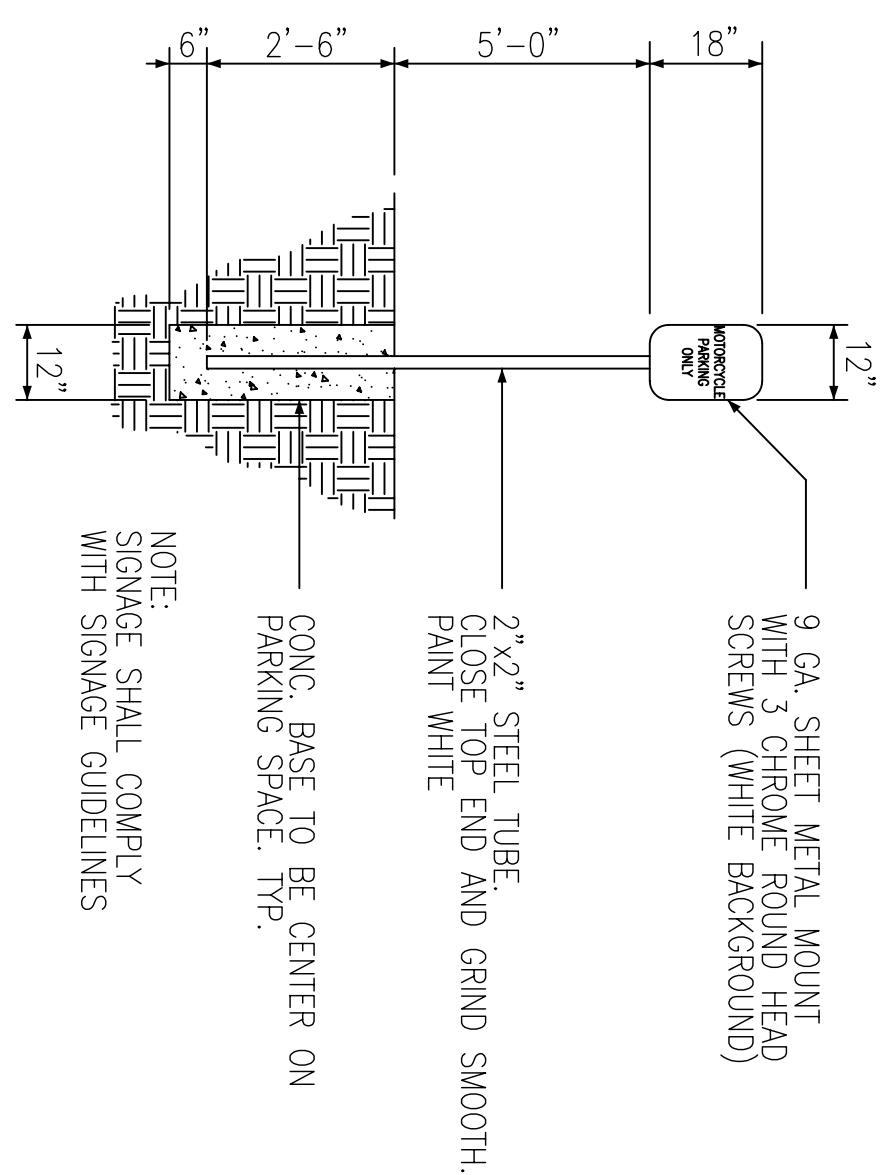
LIGHT POLE FOUNDATION DETAIL
32
NOT TO SCALE
E1.5



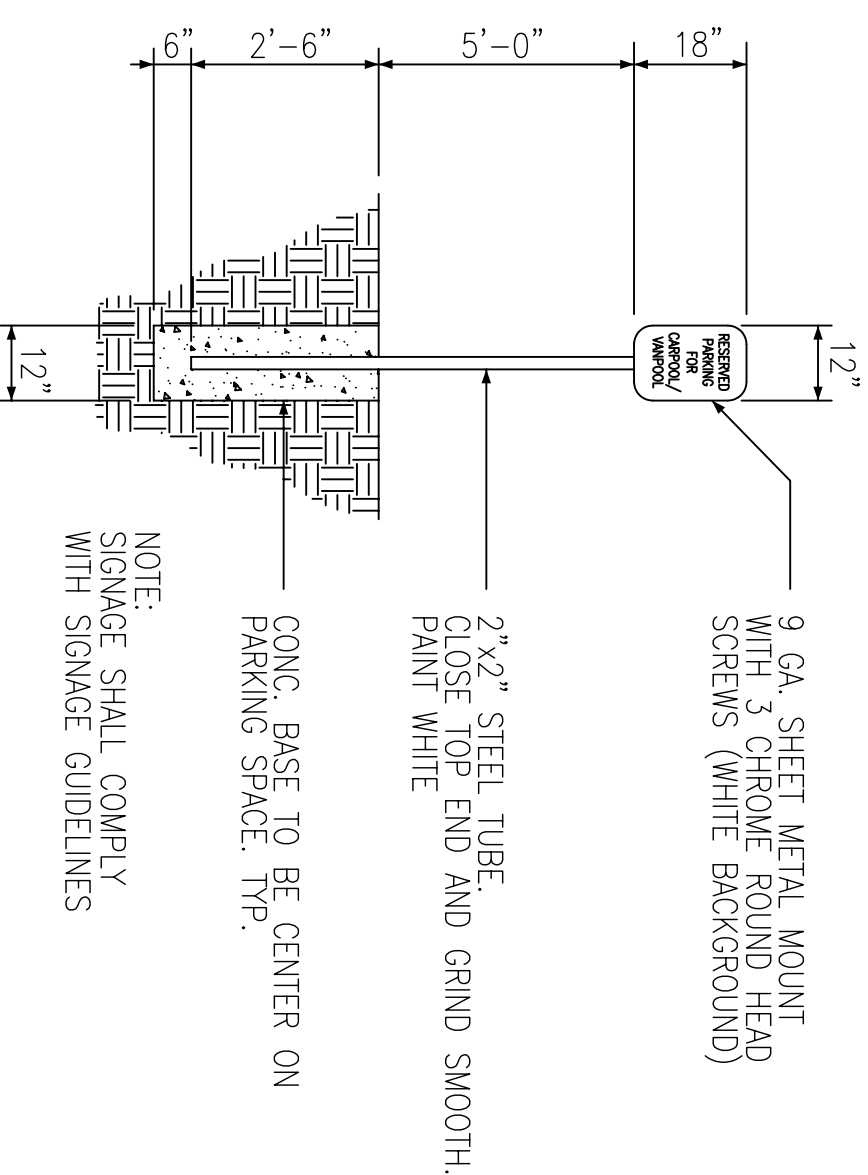
BOLLARD DETAIL
35
N.T.S.
C3.1



PARKING BUMPER
37
(PRECAST CONCRETE)
NOT TO SCALE
C3.1



MOTORCYCLE PARKING SIGN
38
N.T.S.
C3.1



CARPOOL/VANPOOL PARKING SIGN
39
N.T.S.
C3.1



SYM	DESCRIPTION	DATE	APPR

DEPARTMENT OF THE NAVY
NAVAL FACILITIES ENGINEERING COMMAND SOUTHEAST
NAVAL AIR STATION JACKSONVILLE
MISSISSIPPI
JOHN C. STENNIS SPACE CENTER
SOF RIVERINE AND COMBATANT CRAFT OPERATIONS FACILITY - PRE-FINAL
PAVING DETAILS

DES. R. WITSE
DRAW. J. HERRMAN
REVISION BY: R. WITSE
PUN/INK: T. ARBIB
CHECK ENGINEER: P. DAMMON

DAMMON ENGINEERING, INC.
REGISTERED PROFESSIONAL ENGINEER
STATE OF MISSISSIPPI
SIOBEL, LA 39362
(989) 649-4312
September 4, 2023

ROBERT LEE WITSHIRE
REGISTERED PROFESSIONAL ENGINEER
STATE OF LOUISIANA
LICENSE NO. 2736
MECHANICAL

CODE ID: NGS 14412 SIZE: D
SCALE: AS SHOWN
DRAWING NO.: #####
SFA PROJ. NO.: P-2110
WORK ORDER NO.: 510247
CONSTR. CONTR. NO.: N62467-05-0-0096
NAVFAC DRAWING NO.: 15026602
SHEET: 20 OF 132

C3.4