

MATCHLINE SEE SHIT C4.1

MATCHLINE SEE SHIT C4.1

MATCHLINE SEE SHIT C4.1

ALLOWABLE CONST. WORK
AREA / LIMIT OF CLEARING

GOVERNMENT PARKING SPACES
30 GOVERNMENT VEHICLES

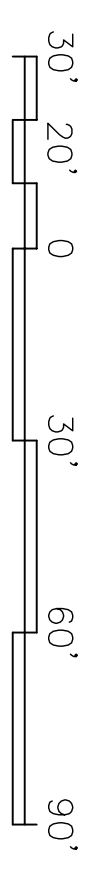
SILT FENCING LINE, 10'
OFF SITE CLEARING LINE

SECURITY FENCE, TYP.

ELECTRIC VEHICULAR GATE,
SINGLE SLIDING GATE W/
CARD READERS ON EACH SIDE

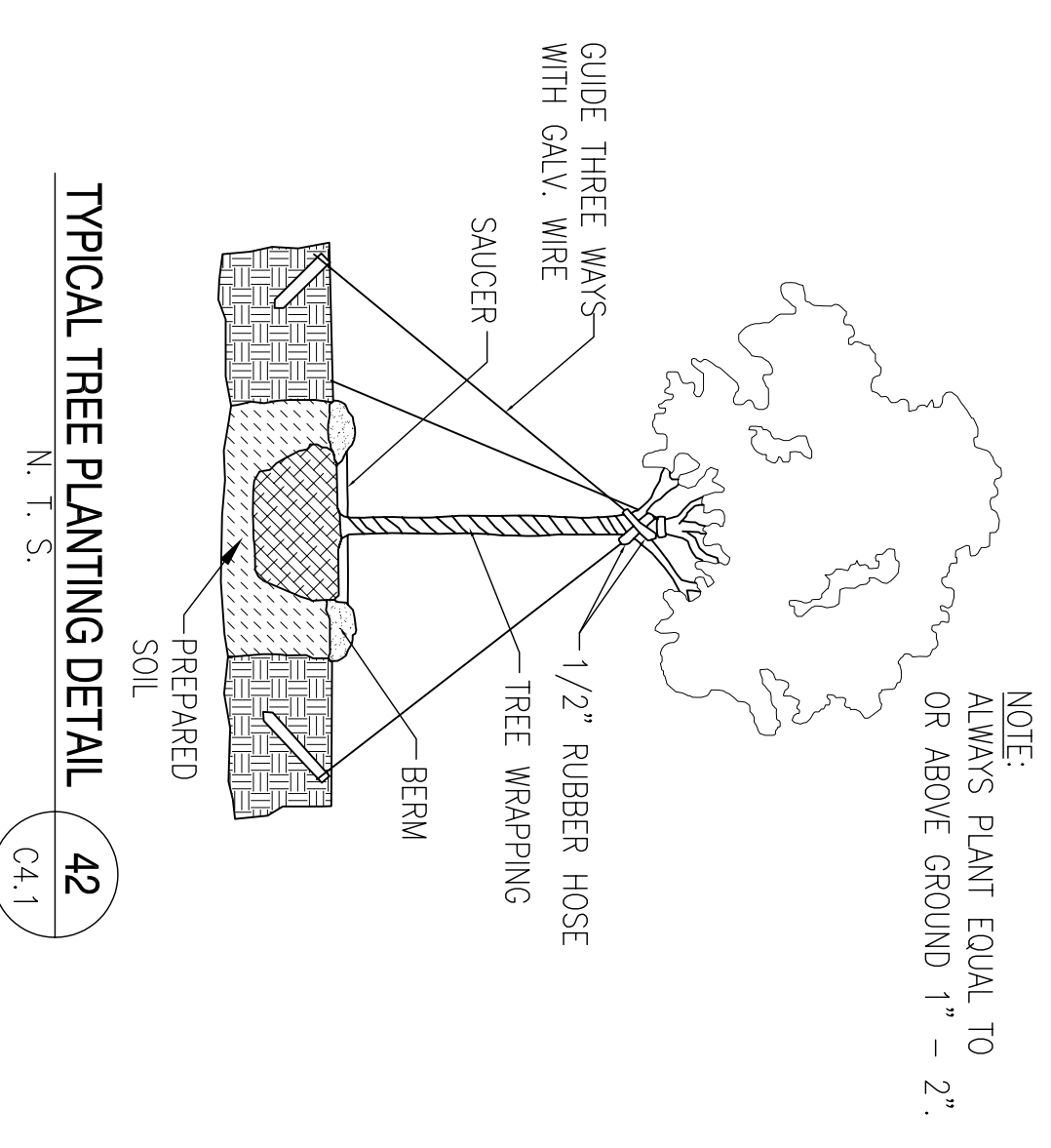
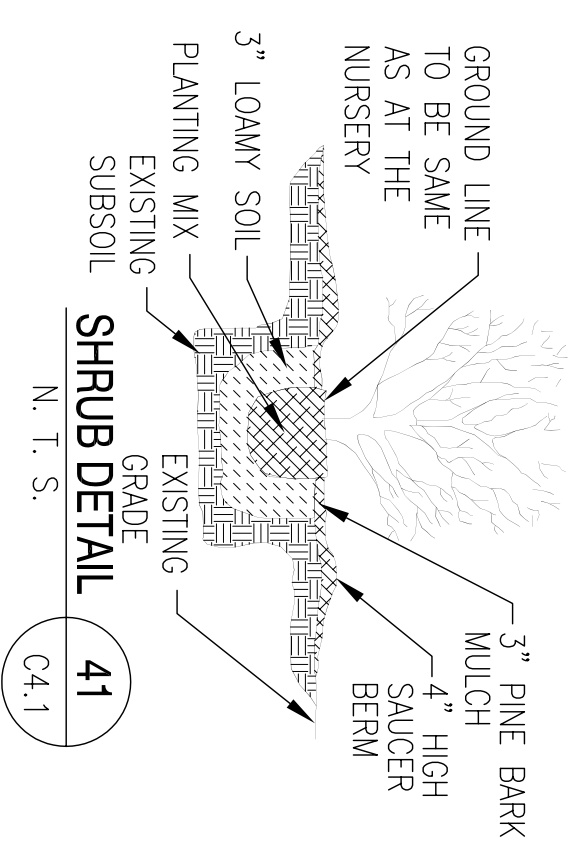
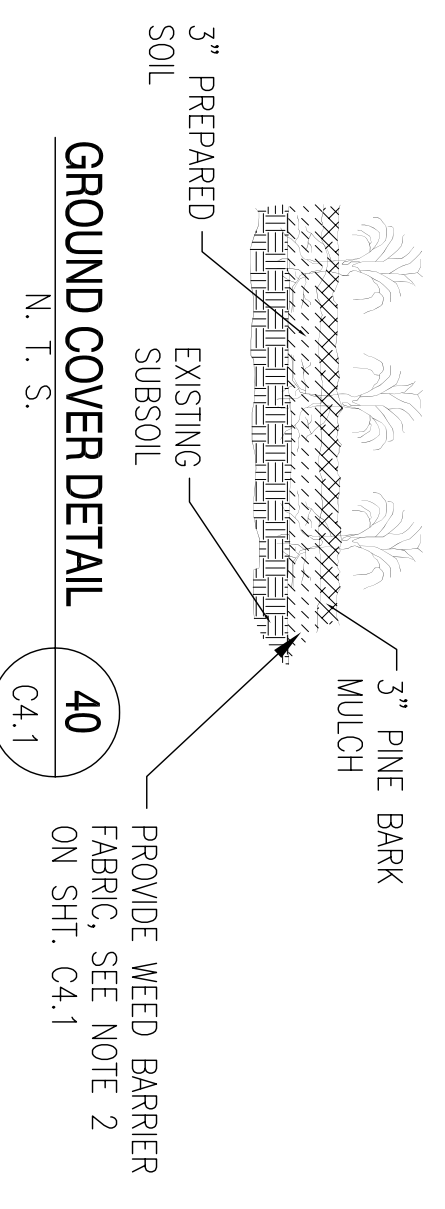
123
124
125
126
127
128
129
130

LANDSCAPING PLAN PART 2
SCALE: 1"=30'-0"

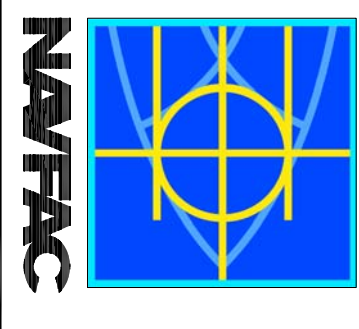


LANDSCAPING LEGEND

- NATIVE TYPE TREE, ONLY IN ISLANDS, MAGNOLIAS PREFERRED, QTY. 8, MINIMUM OF 10' TO 12' HIGH CALIPER OF 2 1/2" MEASURED AT 2 FT. ABOVE THE GROUND
- SHRUB, DROUGHT RESISTANT, QTY. 146 SHALL NO EXCEED 4' IN HEIGHT AT MATURITY
- SOD OR HYDROSEEDING REF. LANDSCAPING NOTE #4



SYM	DESCRIPTION	DATE	APPR



DAMMON ENGINEERING, INC.
 1000 PINEAPPLE CHAMP
 DAMMON OFFICE BUILDING
 SUITE 1000
 SIBOLLA, LA 70082
 (985) 649-5832
 ESTABLISHED 1982



DEPARTMENT OF THE NAVY
NAVAL FACILITIES ENGINEERING COMMAND SOUTHEAST
 NAVAL AIR STATION JACKSONVILLE
 MISSISSIPPI
JOHN C. STENNIS SPACE CENTER
SOF OPERINE AND COMBATANT CRAFT OPERATIONS FACILITY - PRE-FINAL
LANDSCAPING PLAN PART 2

DES. R. WATTLE
 DRAWN: J. HERRING
 REVIEWED BY: R. WATTLE
 PLOT/INSTR. T. ARBIB
 CHECKED: E. ENGELBACH, P. DAMMON

CODE ID. NO. N4412 SIZE D
 SCALE: AS SHOWN
 DRAWING NO. #####
 STA. PROJ. NO. P-210
 WORK ORDER NO. 510247
 CONSTR. CONTR. NO. N62467-05-0-0096
 NAVFAC DRAWING NO. 15026689
 SHEET 22 OF 132

C4.2

REVDATE:

A

B

C

D

1

2

3

4

5

A

B

C

D