

A

B

C

D

1

2

3

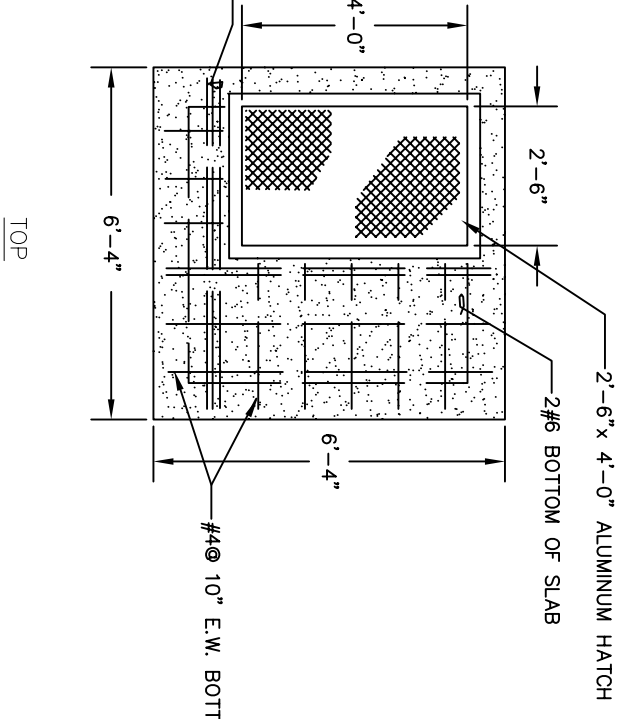
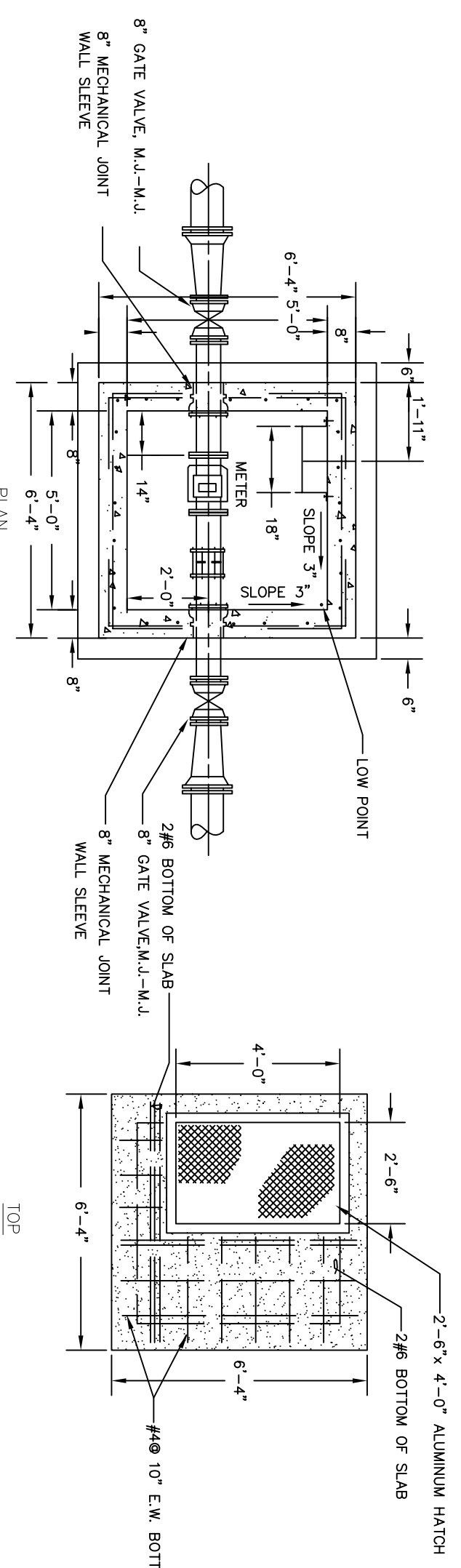
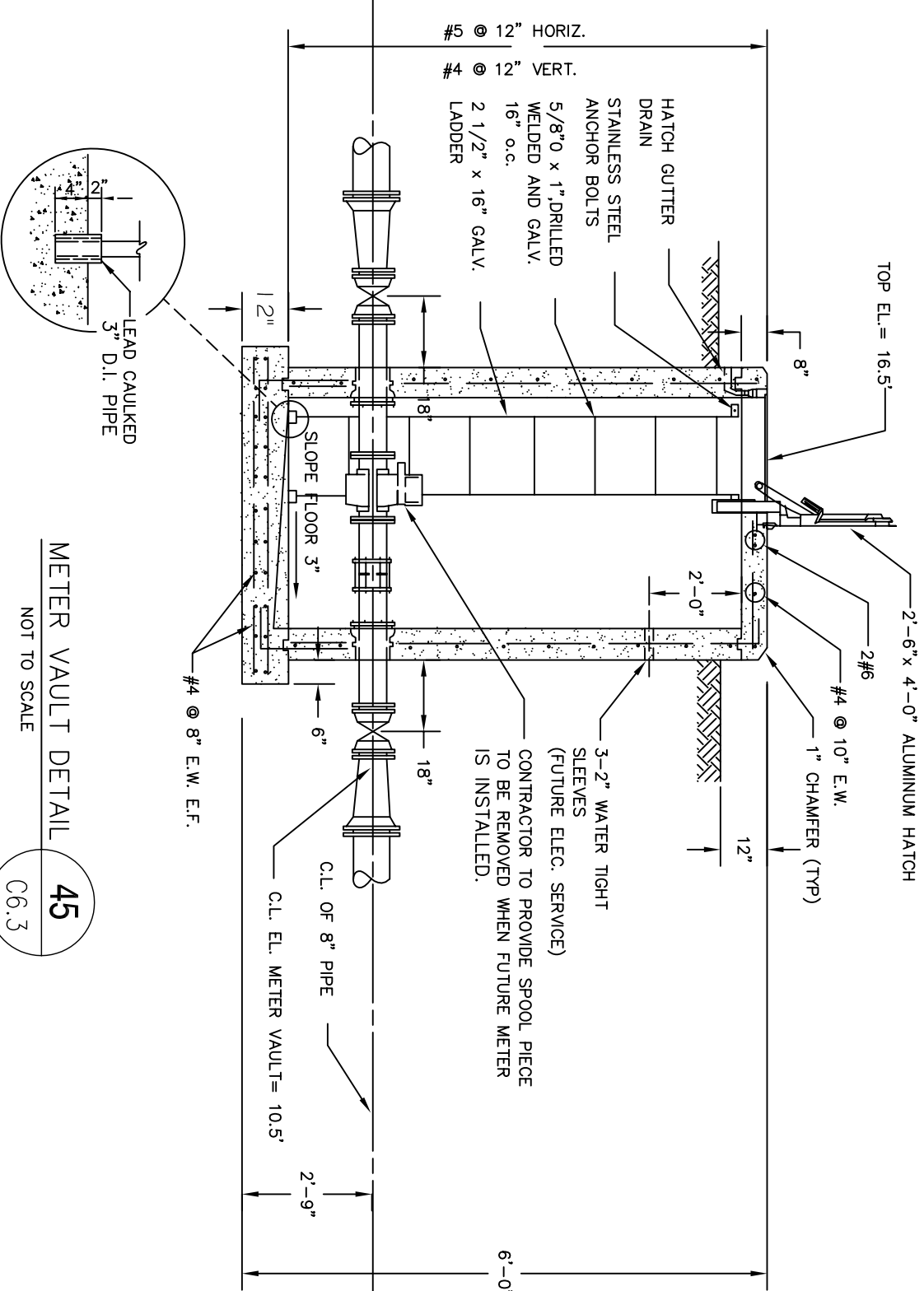
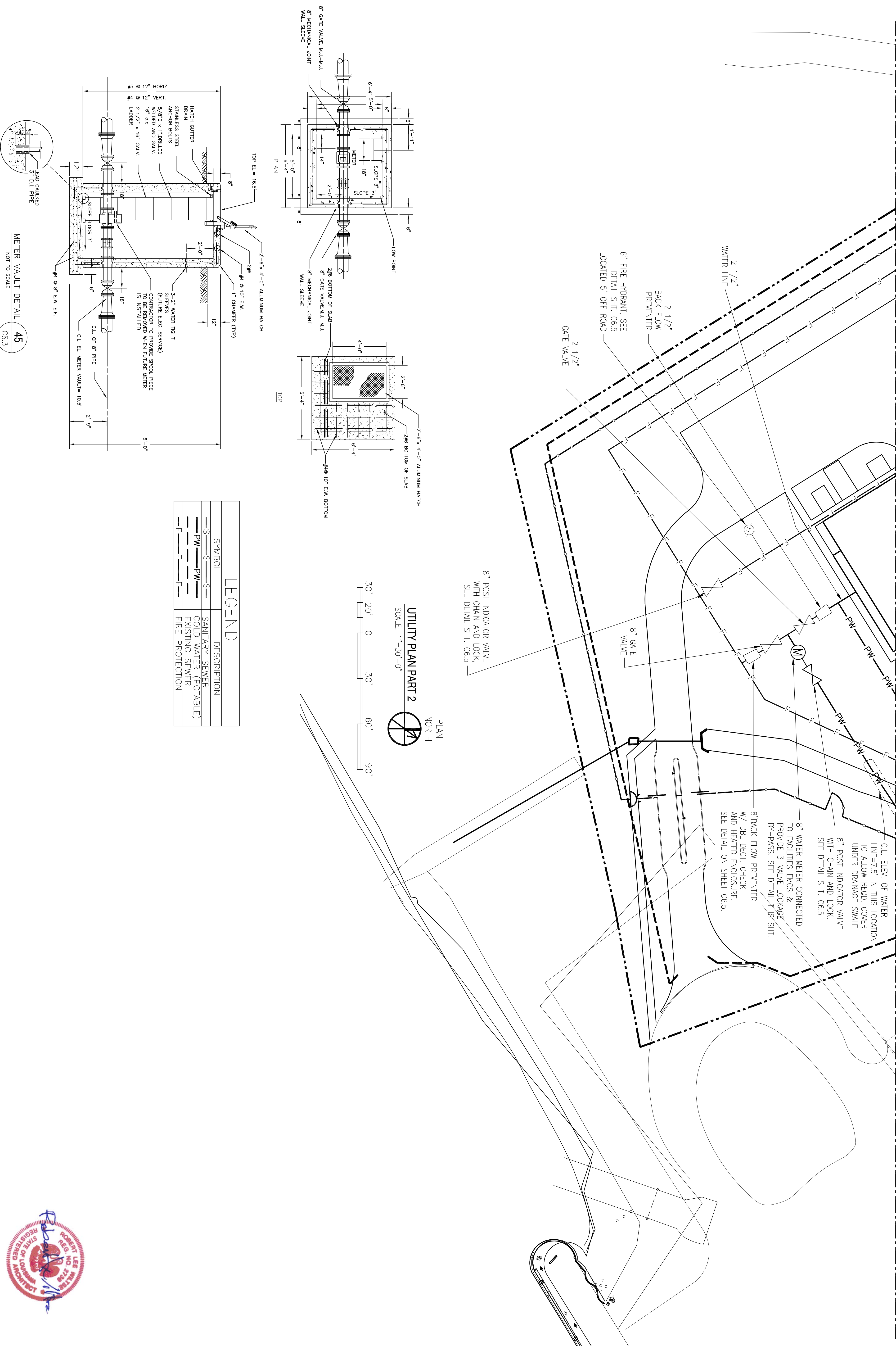
4

5

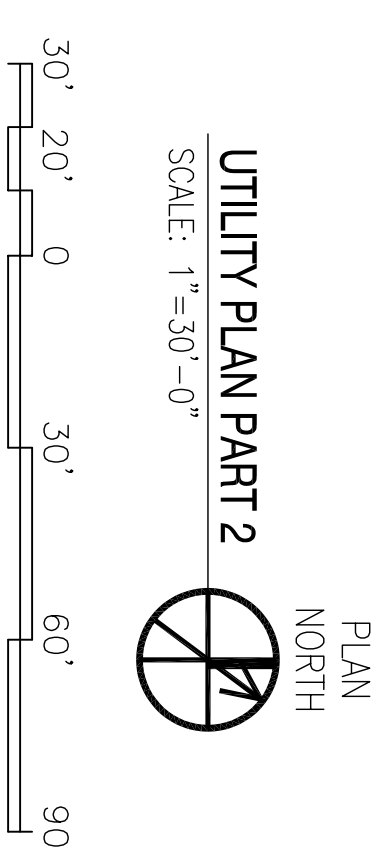
MATCHLINE SEE SHIT 06.2

MATCHLINE SEE SHIT 06.2

MATCHLINE SEE SHIT 06.2



LEGEND	
SYMBOL	DESCRIPTION
S-S	SANITARY SEWER
PW-PW	COLD WATER (POTABLE)
-S	EXISTING SEWER
-F	FIRE PROTECTION



METER VAULT DETAIL 45
NOT TO SCALE
06.3



	DAMMON ENGINEERING, INC. 1000 PINEVIEW DRIVE SUITE 100 MONROE, LA 70132 (985) 649-5312 www.dammoneng.com		DEPARTMENT OF THE NAVY NAVAL FACILITIES ENGINEERING COMMAND NAVAL AIR STATION JACKSONVILLE MISSISSIPPI
			JOHN C. STENNIS SPACE CENTER SOF RIVERINE AND COMBATANT CRAFT OPERATIONS FACILITY - PRE-FINAL UTILITY PLAN PART 2
DESIGNED BY: R. WILBER DRAWN BY: T. ARBIB CHECKED BY: P. DAMMON DATE: 27 OCT 2009	PROJECT NO.: N62467-05-0-0096 WORK ORDER NO.: 510247 SHEET NO.: 27 OF 132	CODE ID: N62467-05-0-0096 SCALE: AS SHOWN DATE: 27 OCT 2009	PROJECT NO.: N62467-05-0-0096 WORK ORDER NO.: 510247 SHEET NO.: 27 OF 132