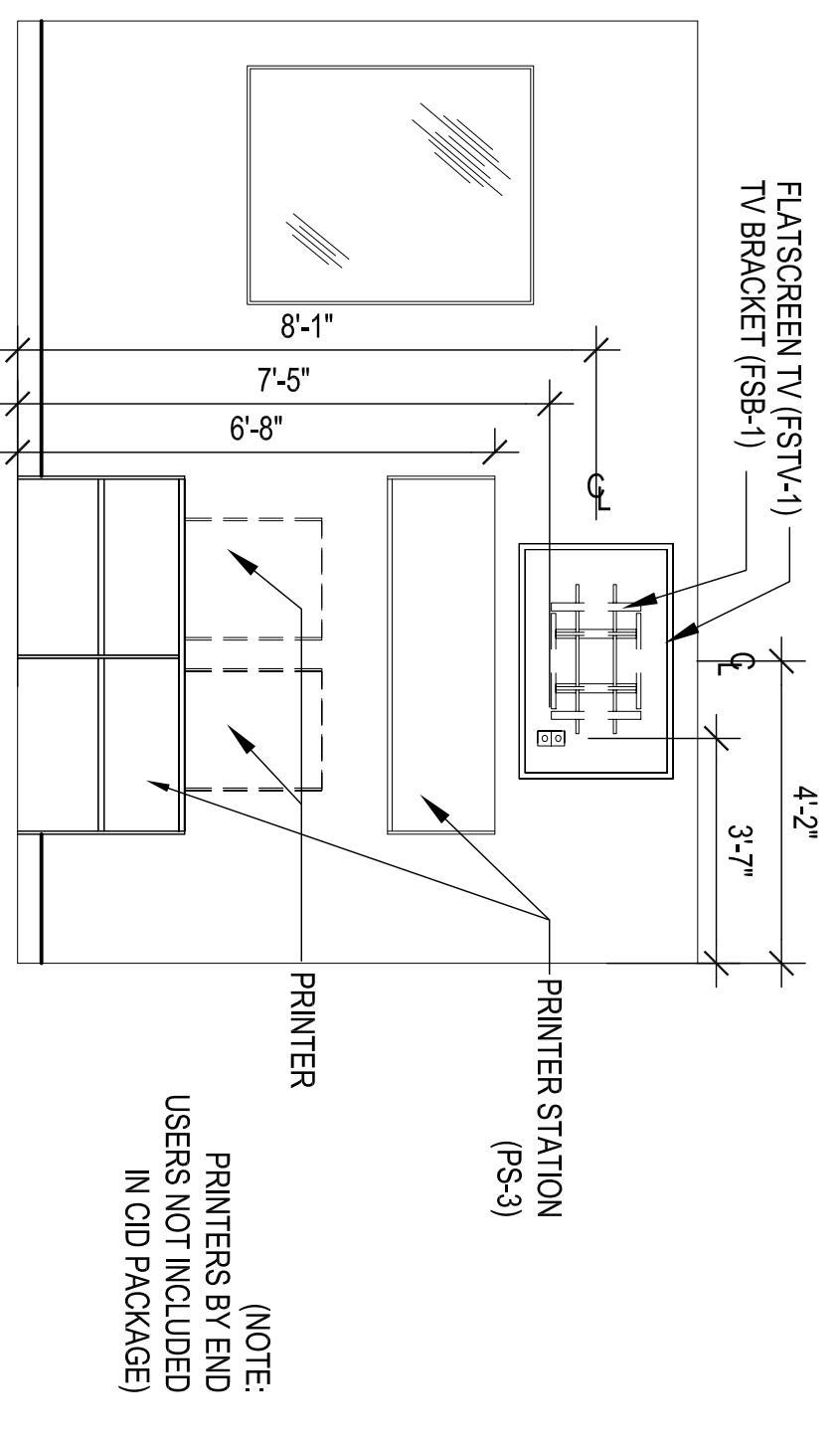
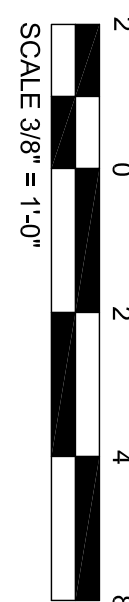


**INTERIOR ELEVATION**

ROOM 204 - RTUO

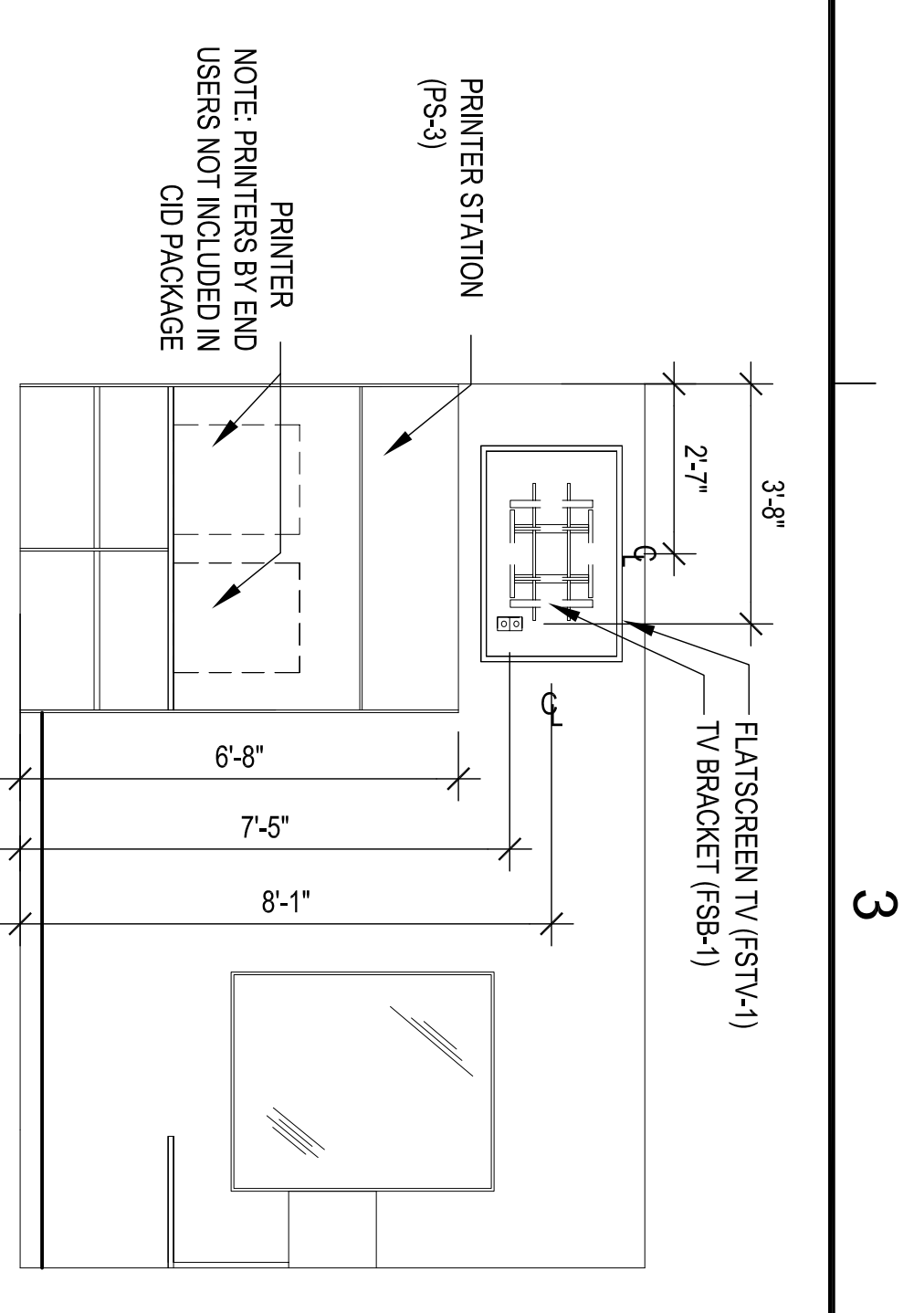
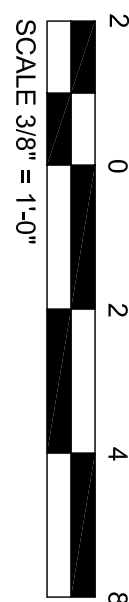
1  
CID-4



**INTERIOR ELEVATION**

ROOM 205 - RTUO

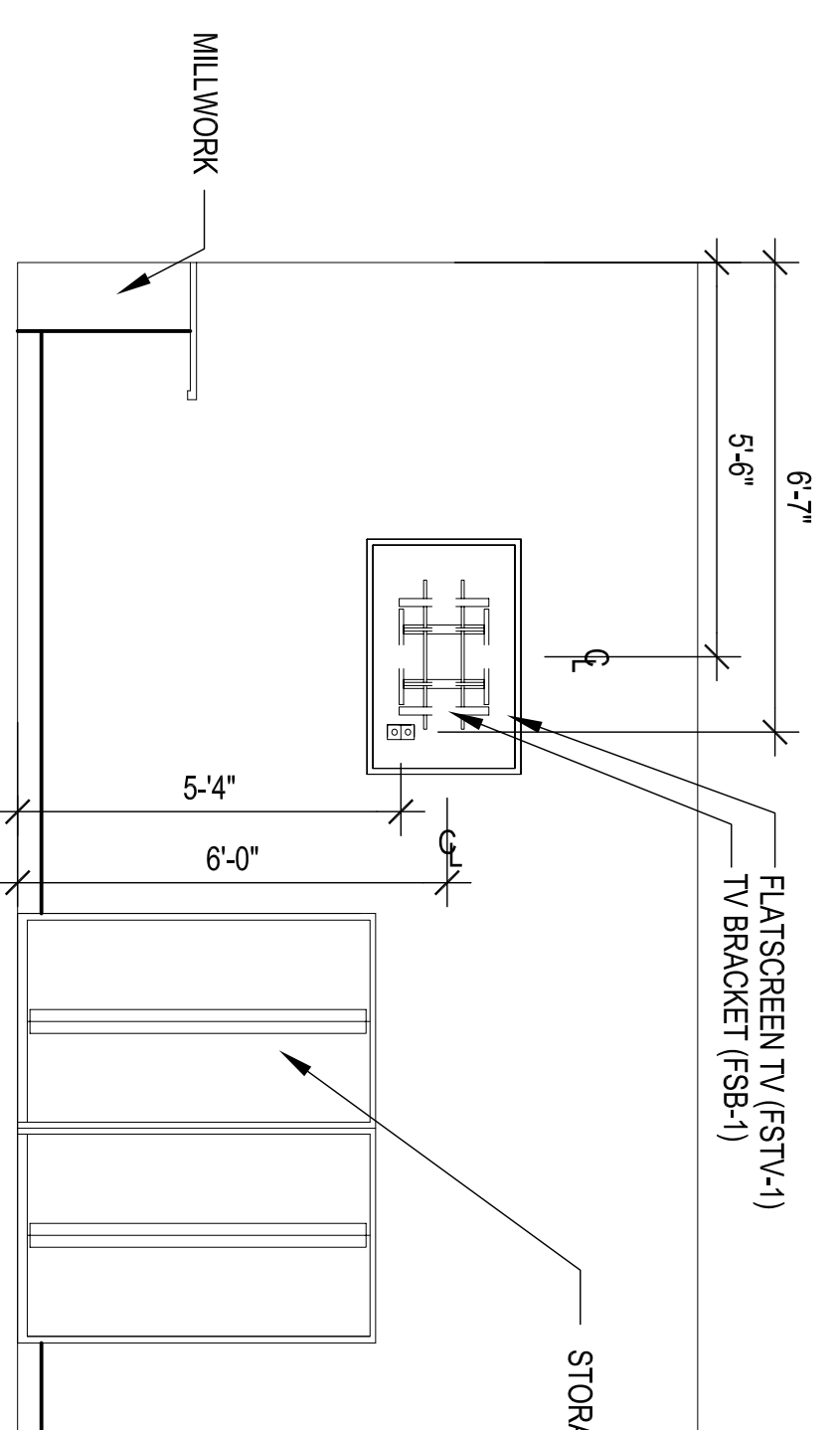
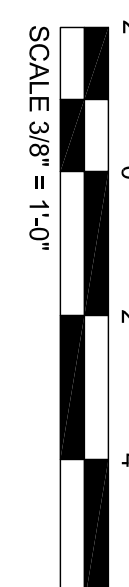
2  
CID-4



**INTERIOR ELEVATION**

ROOM 206 RIVER OPS CONTROL WATCH

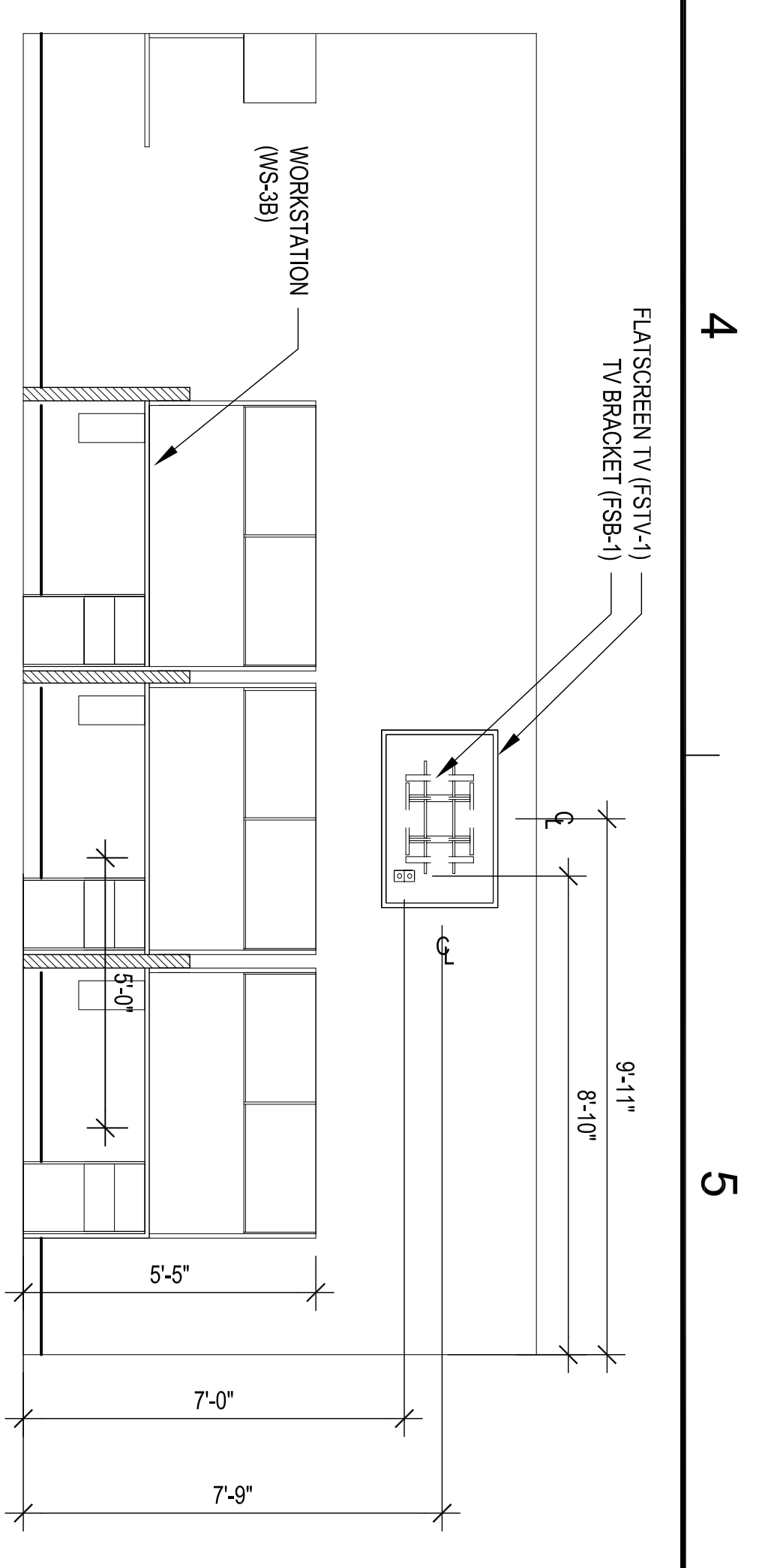
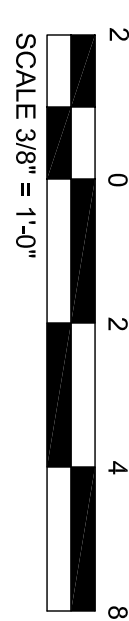
3  
CID-4



**INTERIOR ELEVATION**

ROOM 207 - SITUO

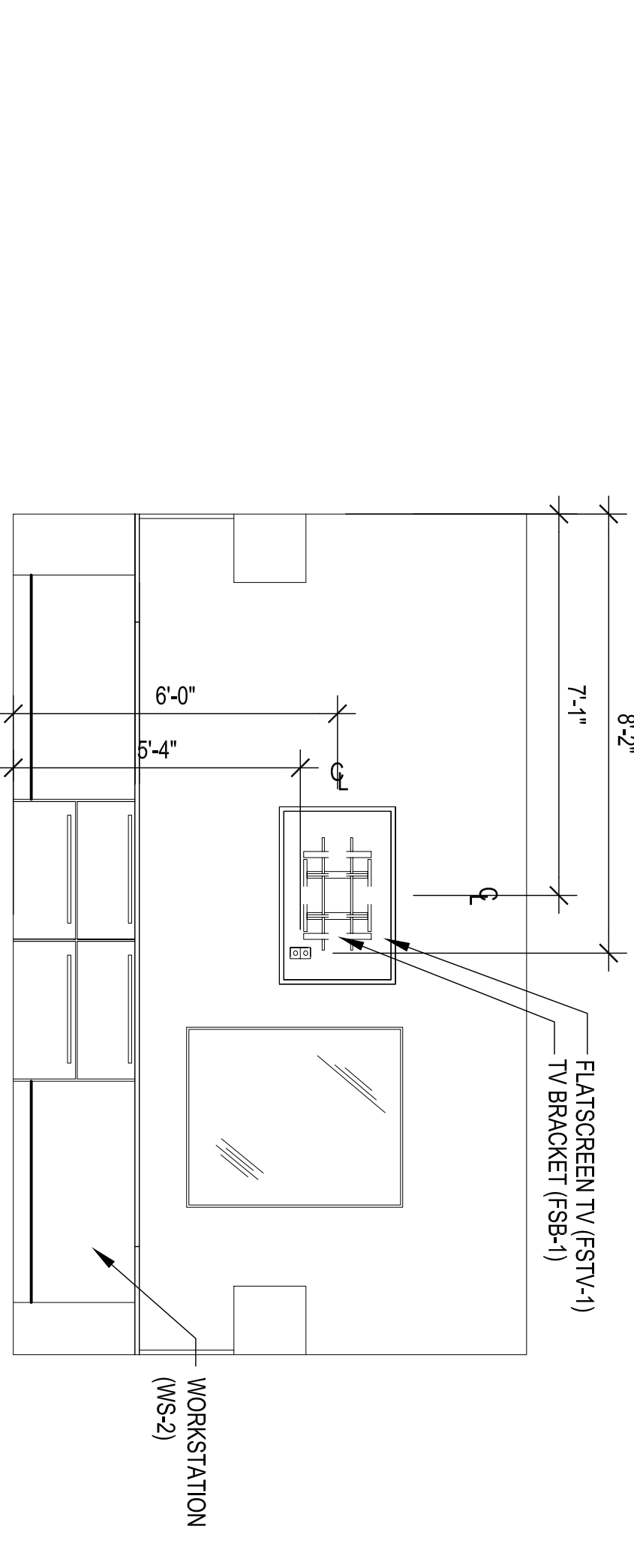
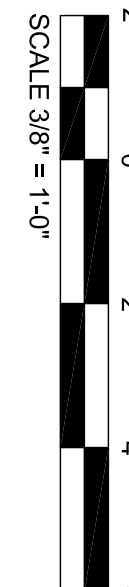
4  
CID-4



**INTERIOR ELEVATION**

ROOM 208 - SITUO

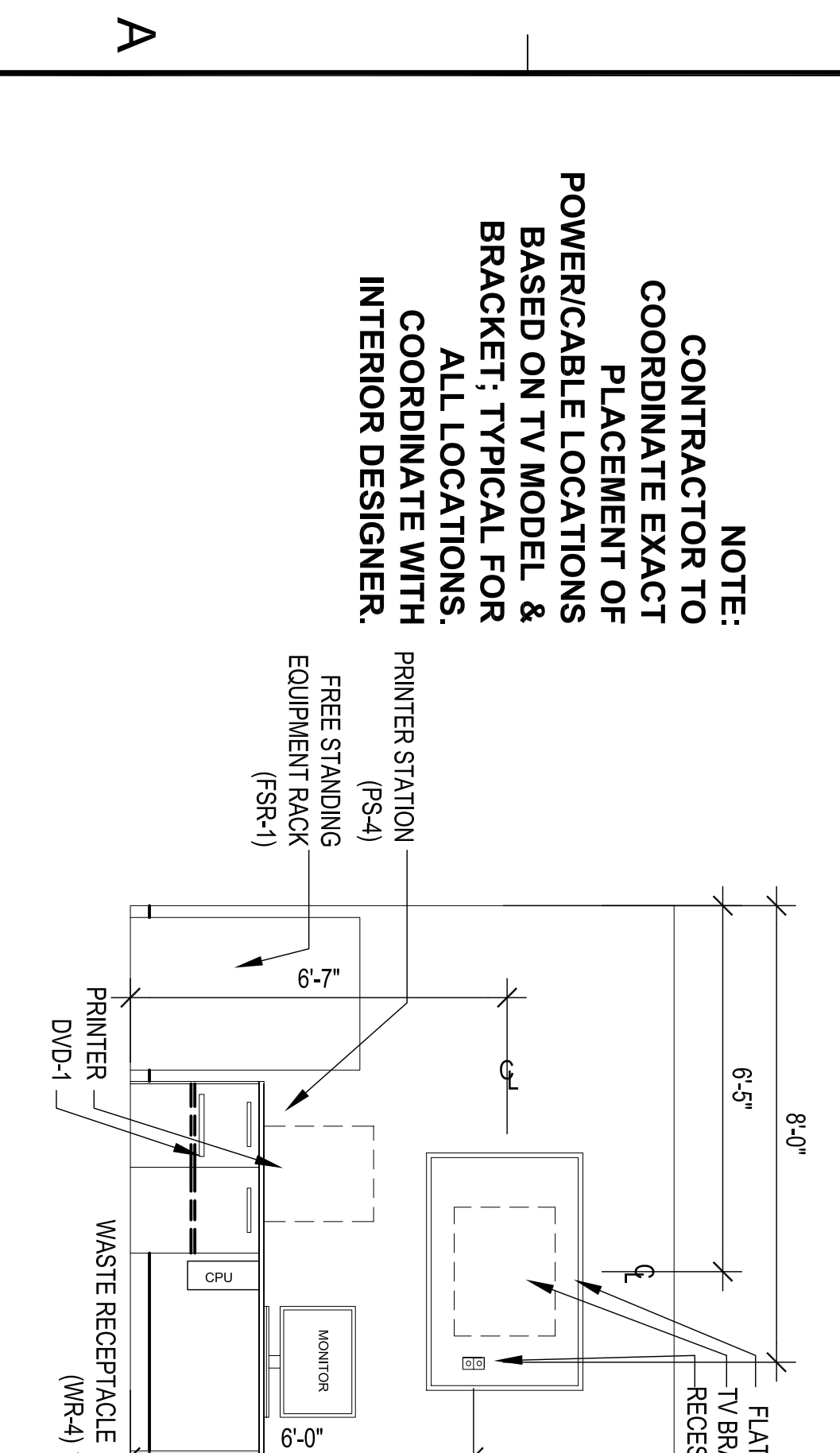
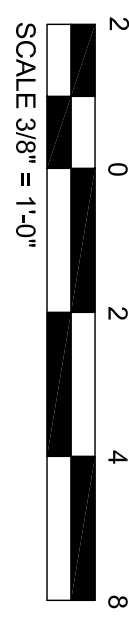
5  
CID-4



**INTERIOR ELEVATION**

ROOM 209 - SITUO

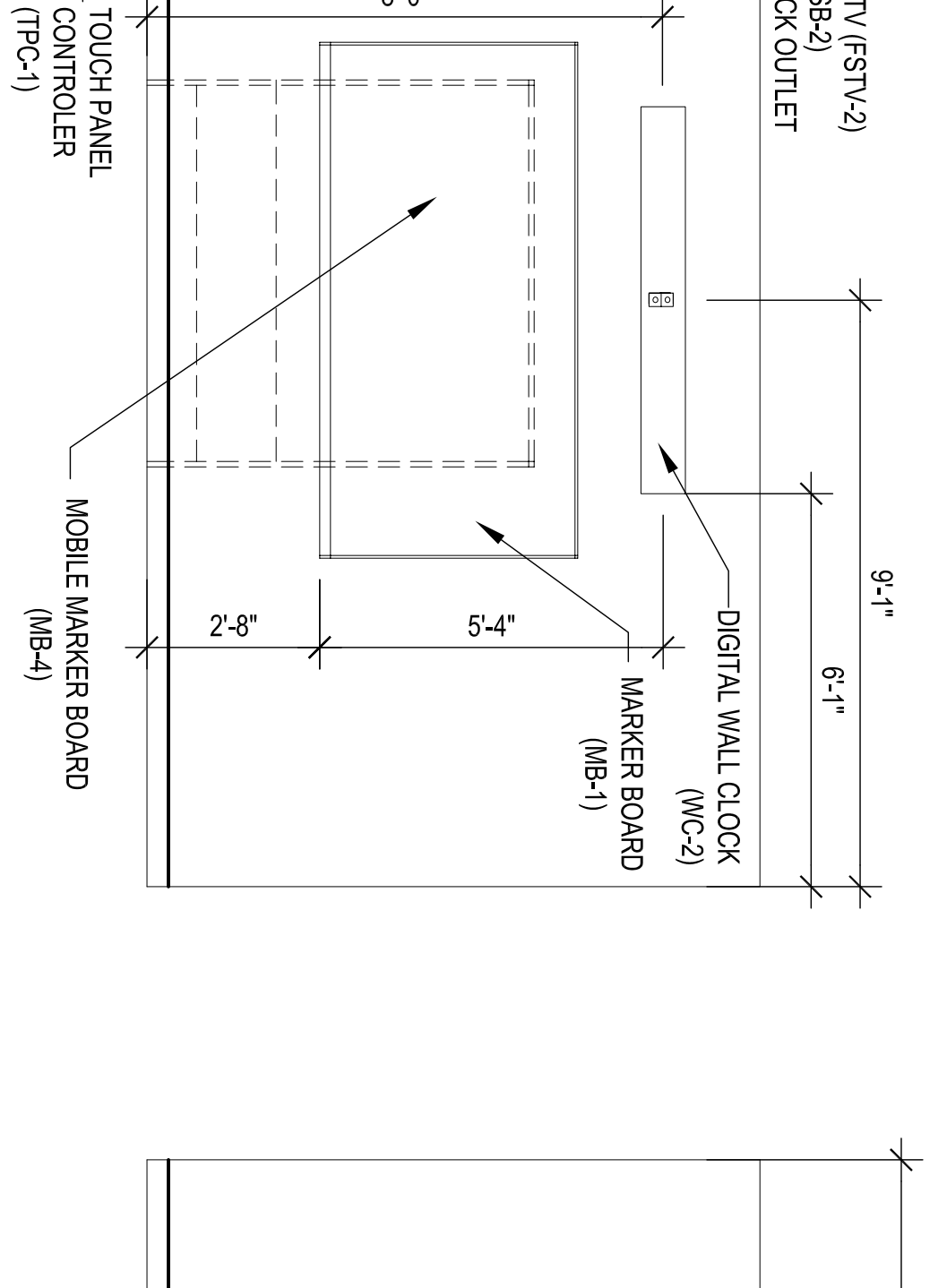
6  
CID-4



**INTERIOR ELEVATION**

ROOM 210 RTUO

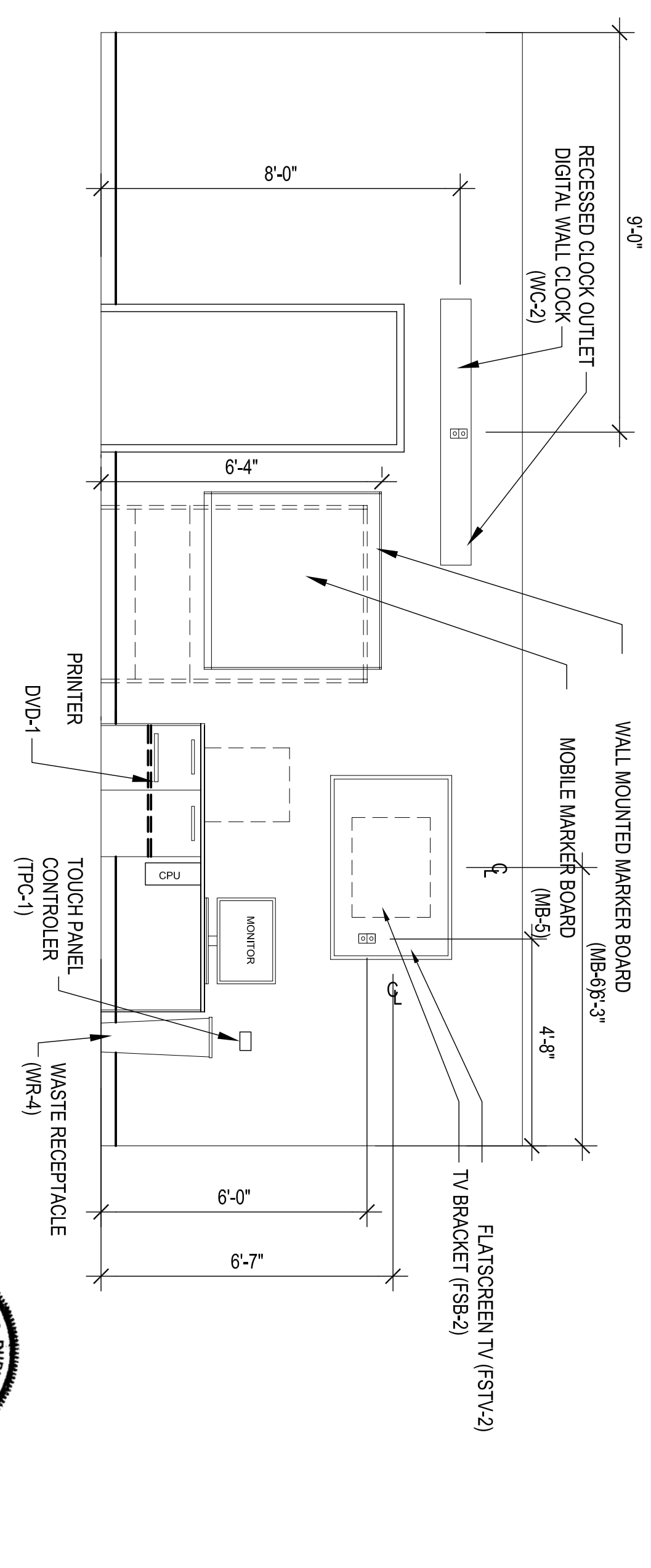
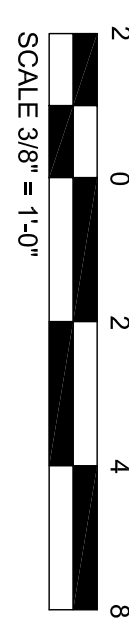
7  
CID-4



**INTERIOR ELEVATION**

ROOM 203 - BRIEFING

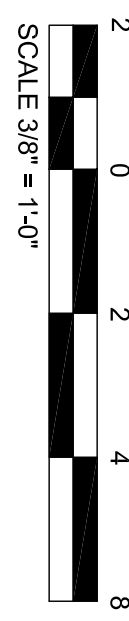
8  
CID-4



**INTERIOR ELEVATION**

ROOM 203 - BRIEFING

8  
CID-4



**NOTE:**  
CONTRACTOR TO  
COORDINATE EXACT  
PLACEMENT OF  
POWER/CABLE LOCATIONS  
BASED ON TV MODEL &  
BRACKET: TYPICAL FOR  
ALL LOCATIONS.  
COORDINATE WITH  
INTERIOR DESIGNER.

PRINTER STATION (PS-4)  
FREE STANDING  
EQUIPMENT RACK (FSR-1)

8'-0"  
6'-5"  
FLATSREEN TV (FSTV-2)  
TV BRACKET (FSB-2)  
RECESSED CLOCK OUTLET

9'-11"  
6'-11"  
DIGITAL WALL CLOCK (WC-2)  
MARKER BOARD (MB-1)  
5'-4"  
2'-5"  
MONITOR  
TOUCH PANEL CONTROL (TPC-1)  
MOBILE MARKER BOARD (MB-4)

9'-0"  
DIGITAL WALL CLOCK (WC-2)  
4'-8"  
WALL MOUNTED MARKER BOARD (MB-6) 5'-3"

4'-8"  
MONITOR  
TOUCH PANEL CONTROL (TPC-1)  
WASTE RECEPTACLE (WR-4)  
6'-0"  
7'-9"  
FLATSREEN TV (FSTV-2)  
TV BRACKET (FSB-2)



DEPARTMENT OF THE NAVY  
NAVAL FACILITIES ENGINEERING COMMAND SOUTHEAST  
NAVAL AIR STATION JACKSONVILLE  
JOHN C. STENNIS SPACE CENTER MISSISSIPPI

**BROADMOOR DESIGN**  
BROADMOOR, L.L.C.  
2740 NORTH ARNOULT ROAD METAIRIE, LA 70002 (504) 885-5401  
www.broadmoorllc.com

**NAFAC**

NAFAC DRAWING NO. 15026712  
SHEET 65 OF 132  
SEPT. 4, 2009  
CID - 4

SCALE: 3/8" = 1'-0"

DATE: 09/04/09

PROJECT: SOF RIVERINE AND COMBATANT CRAFT OPERATIONS FACILITY

INTERIOR ELEVATIONS

SYM	DESCRIPTION	DATE	APPR