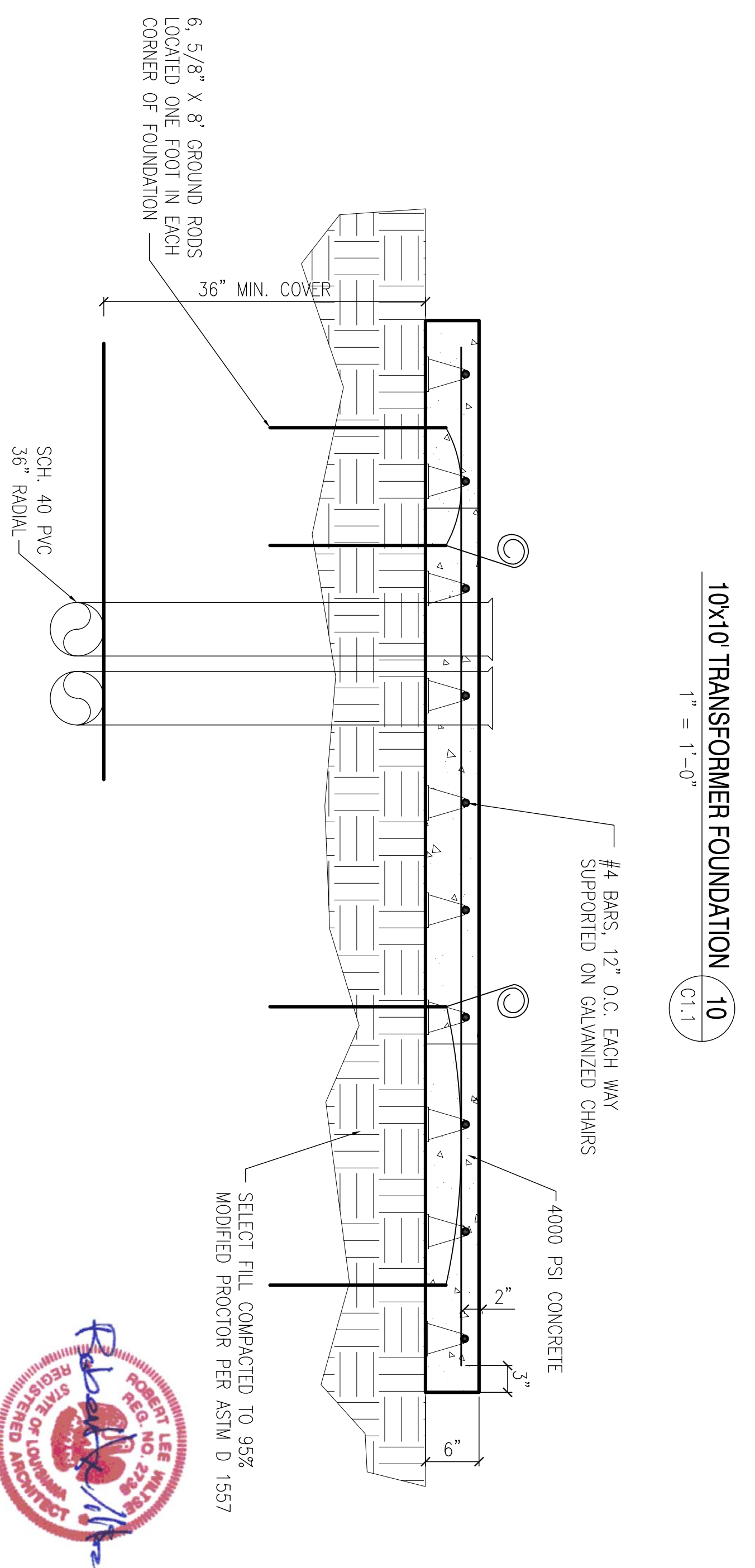
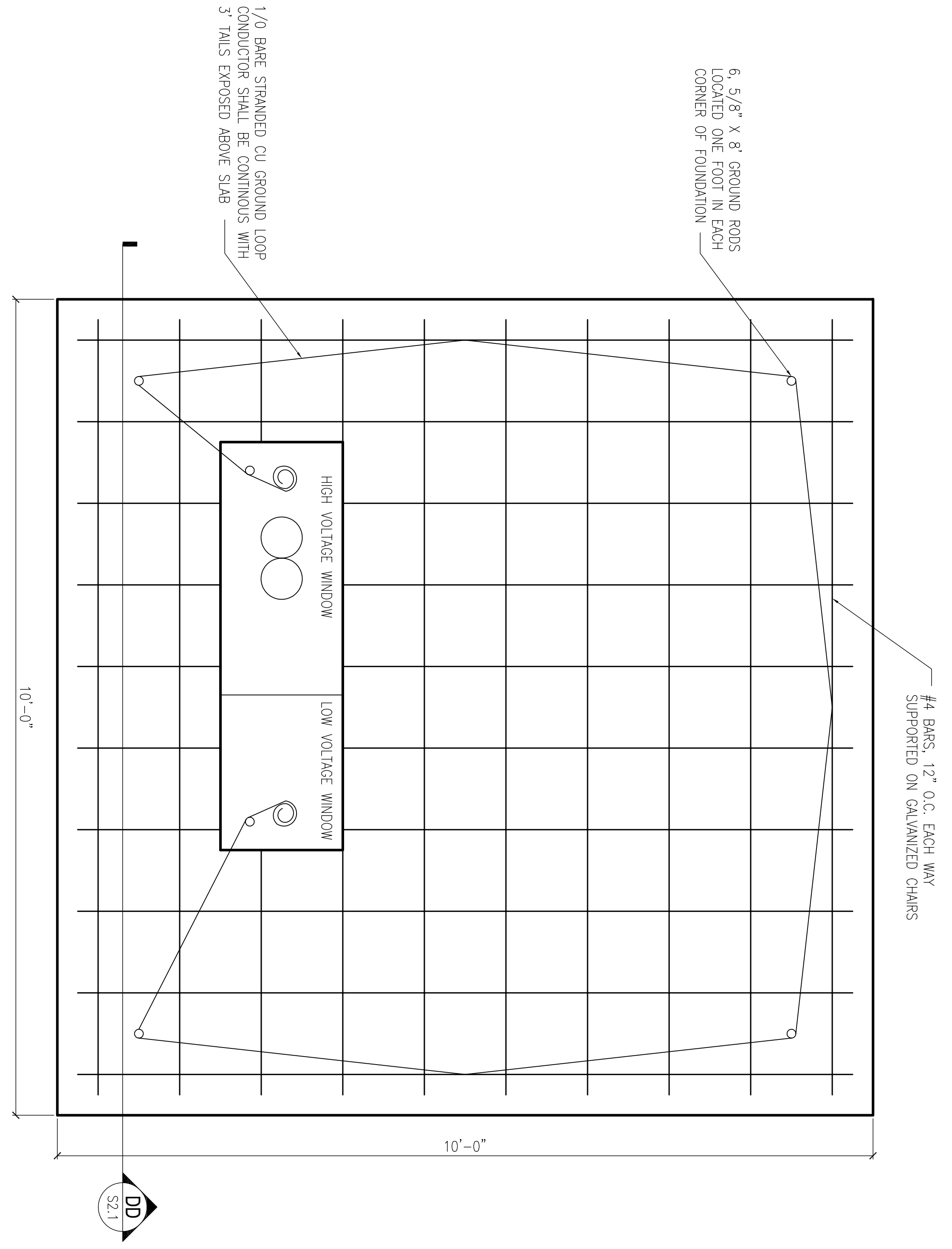
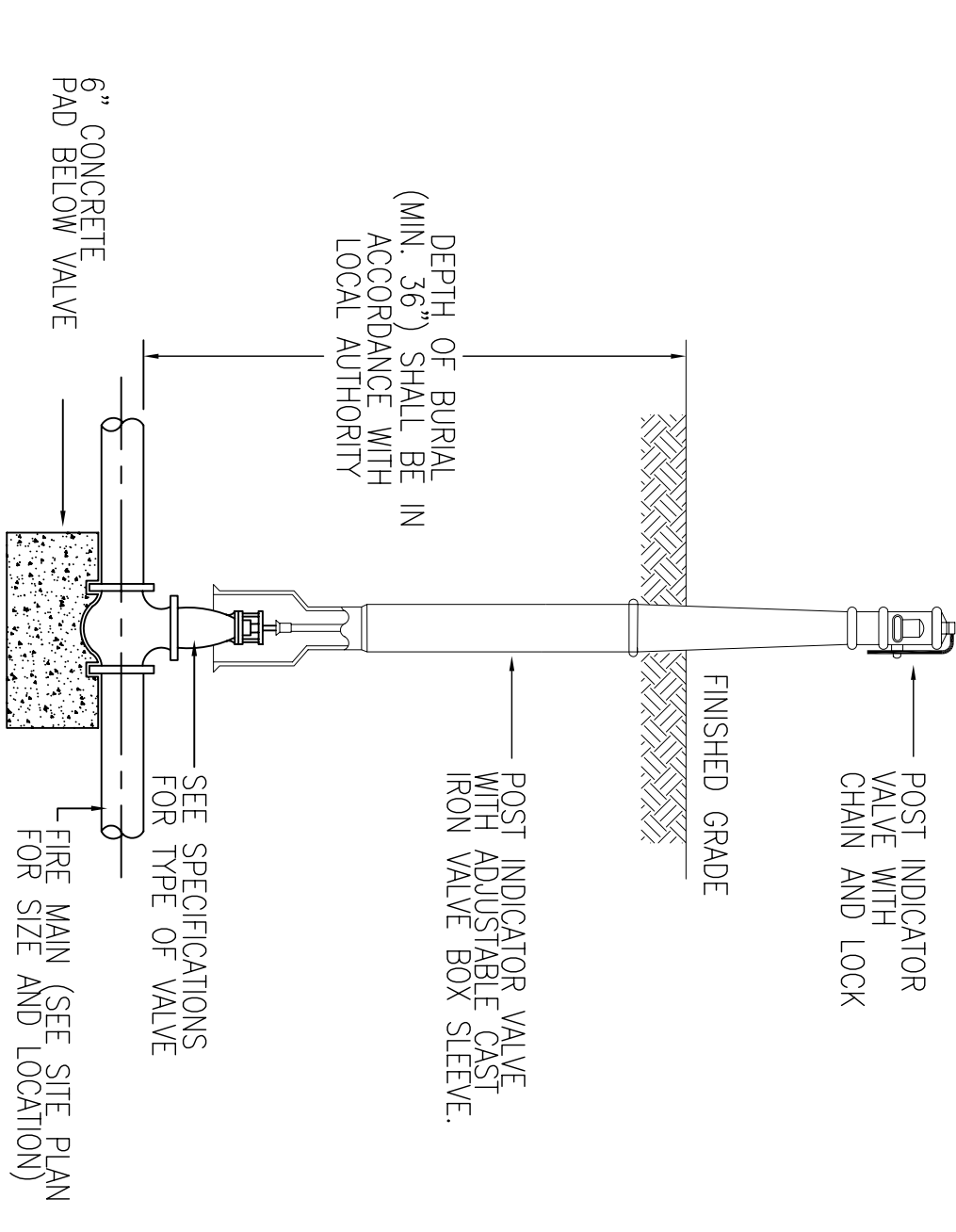


- PENETRATION NOTES
1. RISER PIPE CLAMPS SHALL NOT REST ON TOP OF SLEEVE.
  2. ALL SEALANTS SHALL BE INSTALLED IN STRICT ACCORDANCE WITH MANUFACTURER'S INSTRUCTIONS.
  3. SURFACE OF PIPE, SLEEVE, AND CONCRETE SHALL BE FREE OF MOISTURE AND DUST PRIOR TO APPLICATION OF SEALANT.



<p>DEPARTMENT OF THE NAVY NAVAL FACILITIES ENGINEERING COMMAND SOUTHEAST NAVAL AIR STATION JACKSONVILLE MISSISSIPPI</p> <p>JOHN C. STENNIS SPACE CENTER SOF RIVERINE AND COMBATANT CRAFT OPERATIONS FACILITY - PRE-FINAL</p> <p>STRUCTURAL DETAILS</p>	<p>RES: C. DAMMON   DESK: C. DAMMON REVIEWED BY: R. WILHE DRAWN: T. ARBIB CHECKED: P. DAMMON</p> <p>CHIEF ENGINEER: P. DAMMON</p>	<p>EMMETT B. DAMMON REGISTERED PROFESSIONAL ENGINEER STATE OF MISSISSIPPI LICENSE NO. 9662</p> <p>CHIEF ENGINEER DAMMON ENGINEERING, INC. 1001 W. GEMMA ROAD SUITE 100 SIBOLLA, LA 70458 (985) 649-4312</p> <p>SEPTEMBER 4, 2025</p>	<p>NAVFAC</p>	<table border="1"> <thead> <tr> <th>SYM</th> <th>DESCRIPTION</th> <th>DATE</th> <th>APPR</th> </tr> </thead> <tbody> <tr> <td> </td> <td> </td> <td> </td> <td> </td> </tr> </tbody> </table>	SYM	DESCRIPTION	DATE	APPR				
SYM	DESCRIPTION	DATE	APPR									

CONSTR. CONTR. NO.: N62467-05-0-0096  
NAVFAC DRAWING NO.: 15026/28  
WORK ORDER NO.: P-210  
SHEET: 81 OF 132

DATE: 01/07/13Z

SCALE: AS SHOWN

CODE ID: NOK N4412 SIZE: D