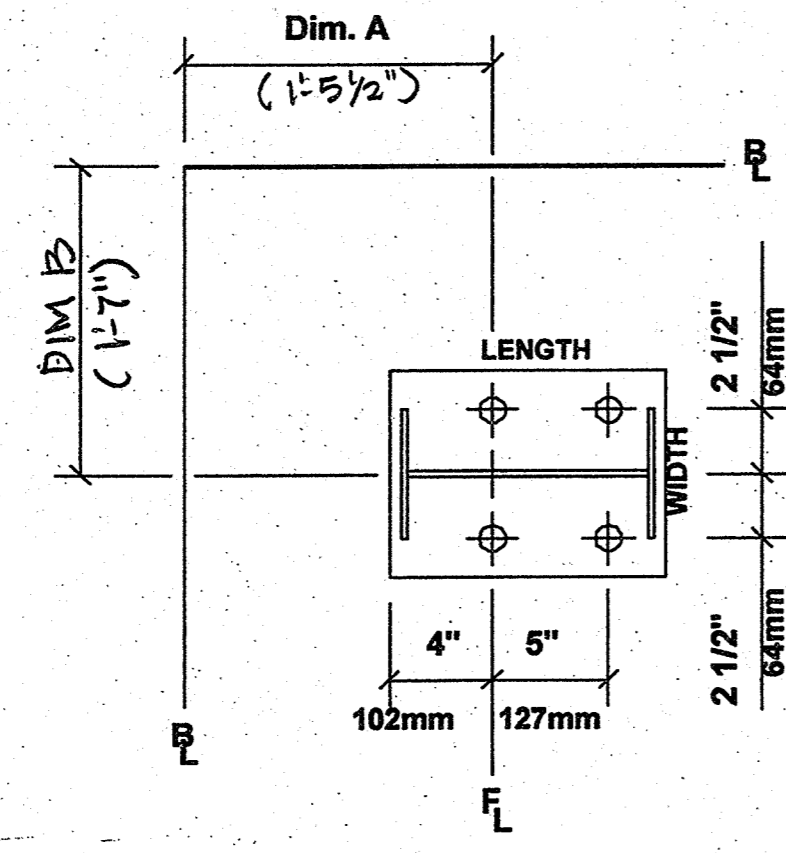
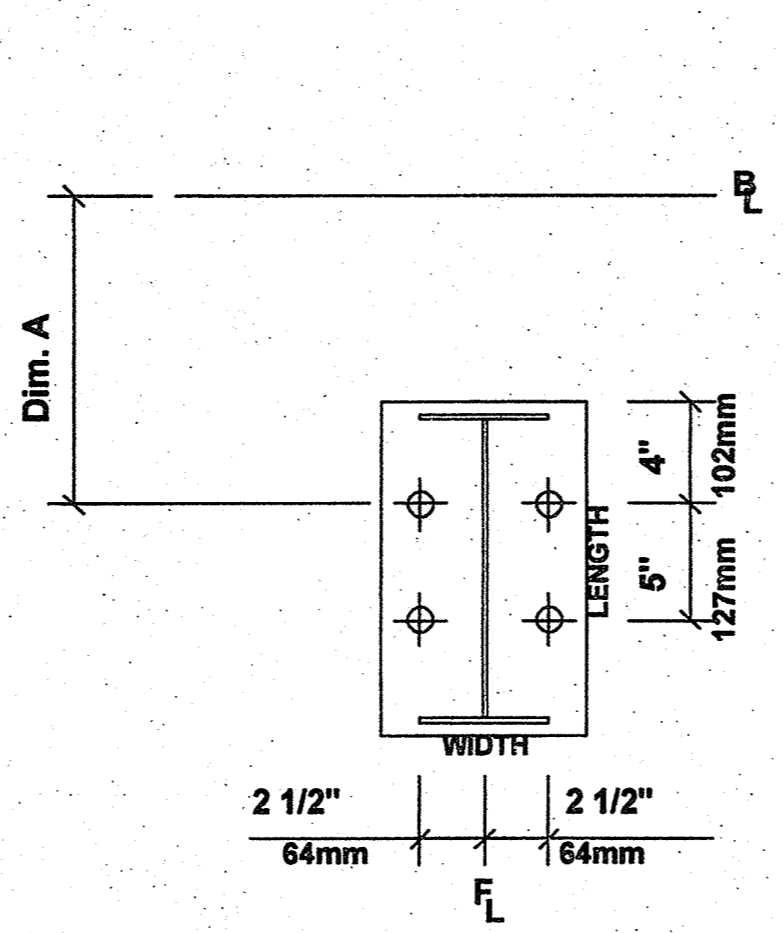


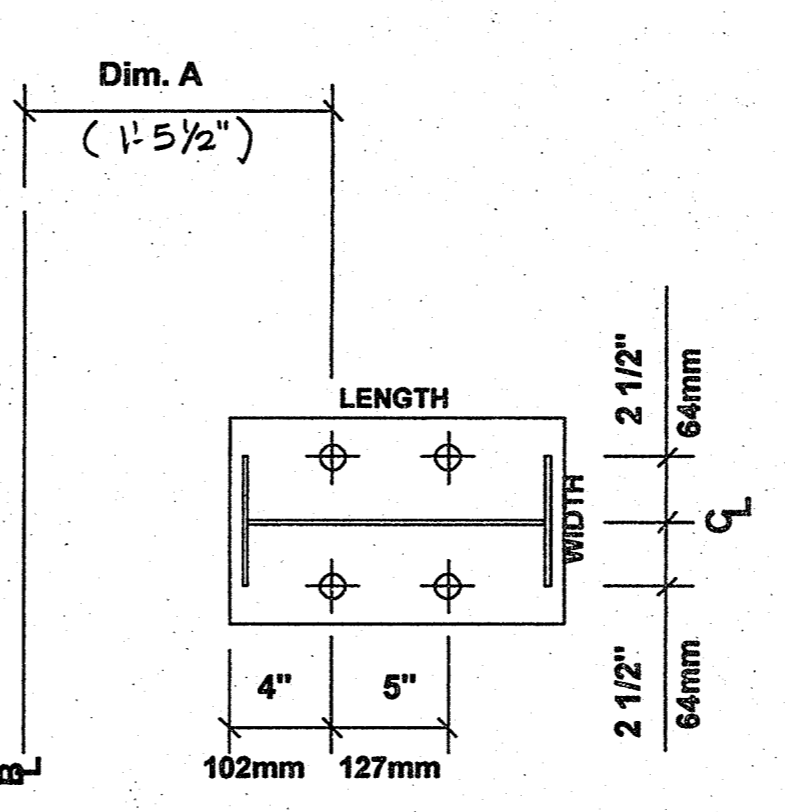
D1 (4) 3/4" Dia. A36 A.Rods
Plate W=10" L=2'-0"
Elevation=100'-1 1/2"
Dim A=11 1/2" Dim B=1'-8"



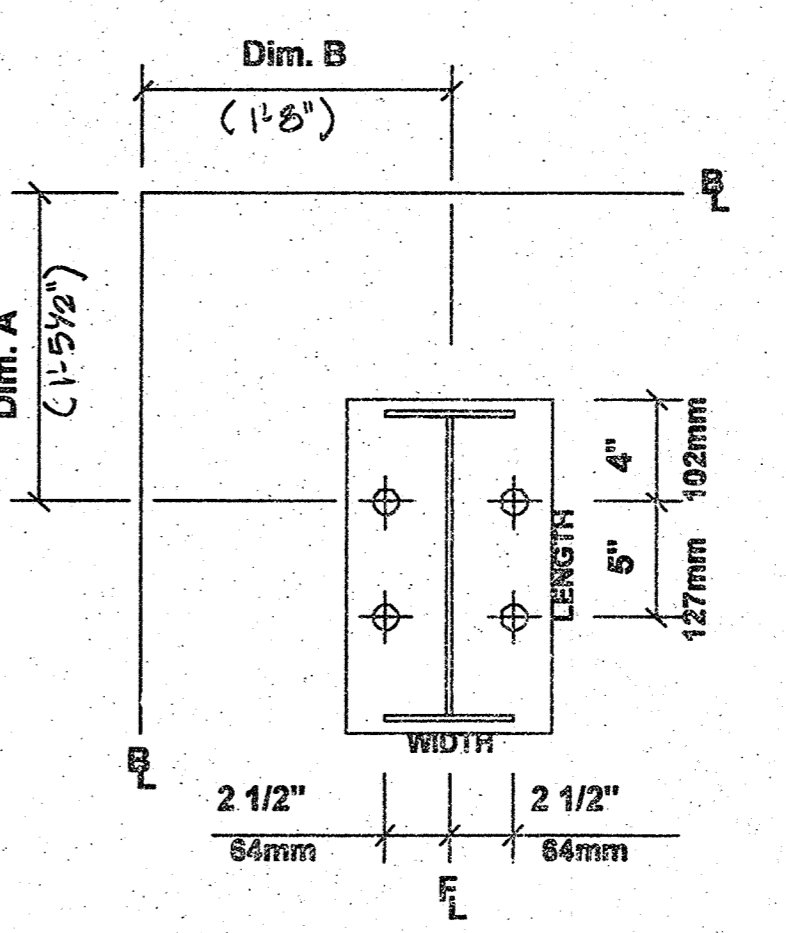
D2 (4) 3/4" Dia. A36 A.Rods
Plate W=9" L=1'-1"
Elevation=100'-1 1/2"
Dim A=11 1/2" Dim B=1'-7"



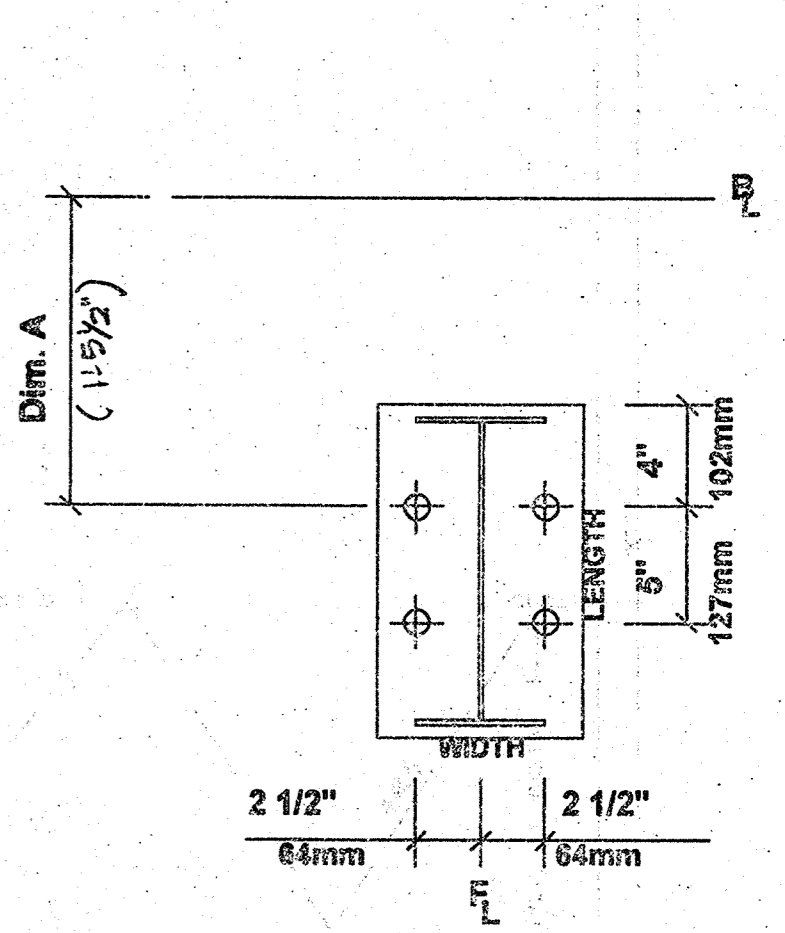
D3 (4) 3/4" Dia. A36 A.Rods
Plate W=11" L=1'-1"
Elev.=100'-1 1/2" Dim A=1'-5 1/2"



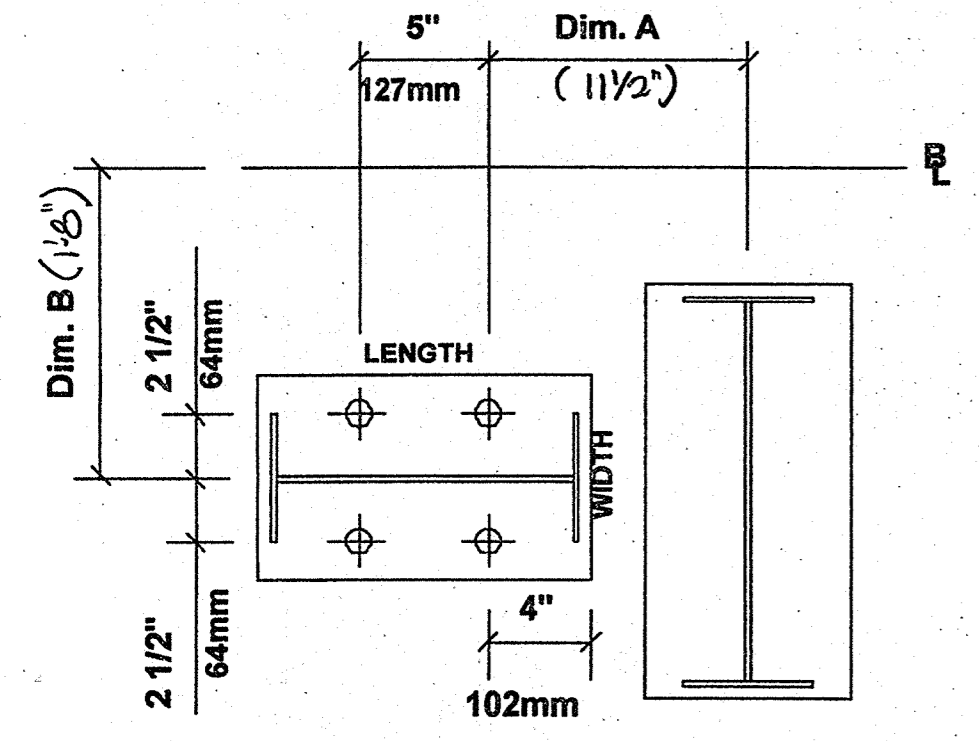
D4 (4) 3/4" Dia. A36 A.Rods
Plate W=11" L=1'-1"
Elev.=100'-1 1/2" Dim A=1'-5 1/2"



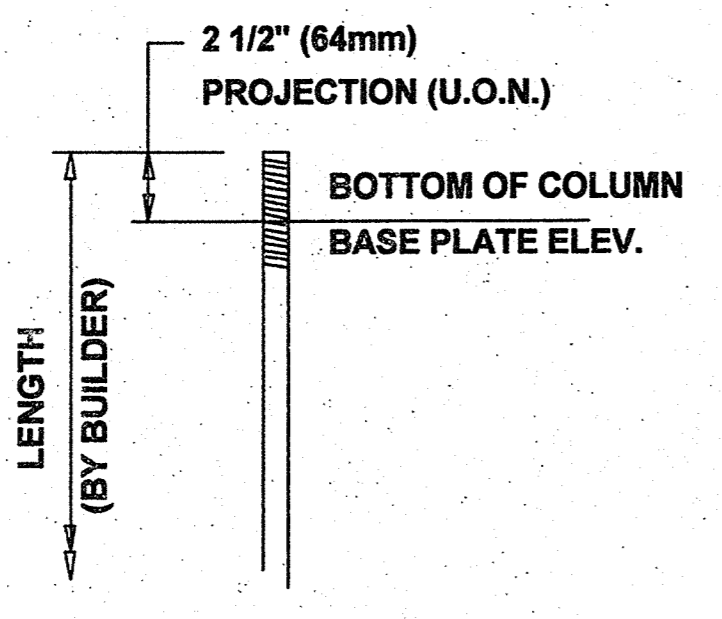
D5 (4) 3/4" Dia. A36 A.Rods
Plate W=8" L=1'-1"
Elevation=100'-1 1/2"
Dim A=1'-5 1/2" Dim B=1'-8"



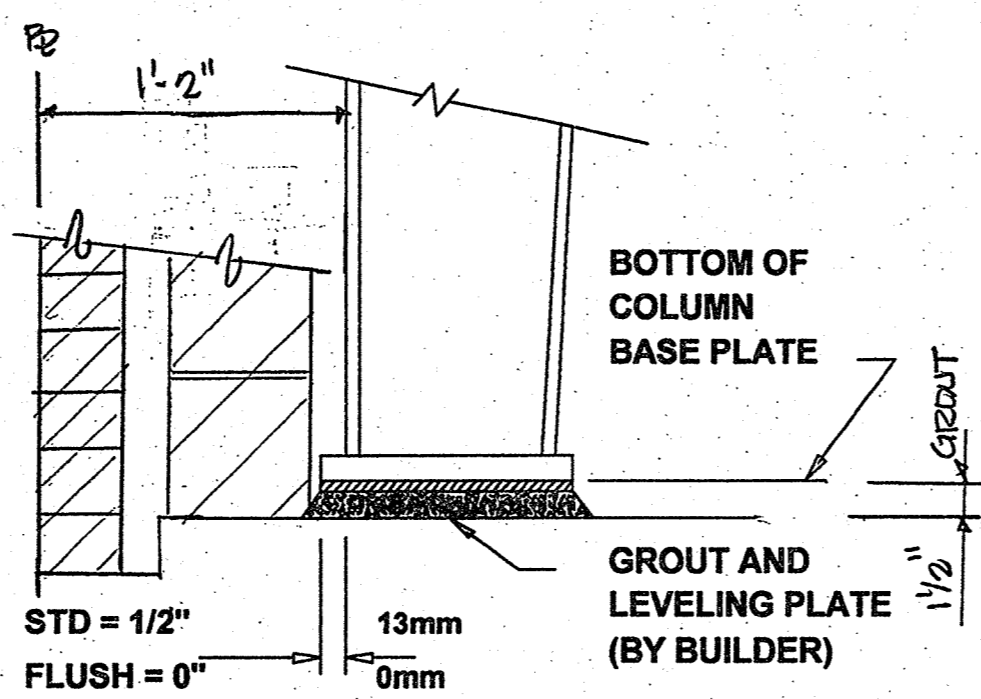
D6 (4) 3/4" Dia. A36 A.Rods
Plate W=8" L=1'-1"
Elev.=100'-1 1/2" Dim A=1'-5 1/2"



D7 (4) 3/4" Dia. A36 A.Rods
Plate W=8" L=1'-7"
Elevation=100'-1 1/2"
Dim A=11 1/2" Dim B=1'-8"

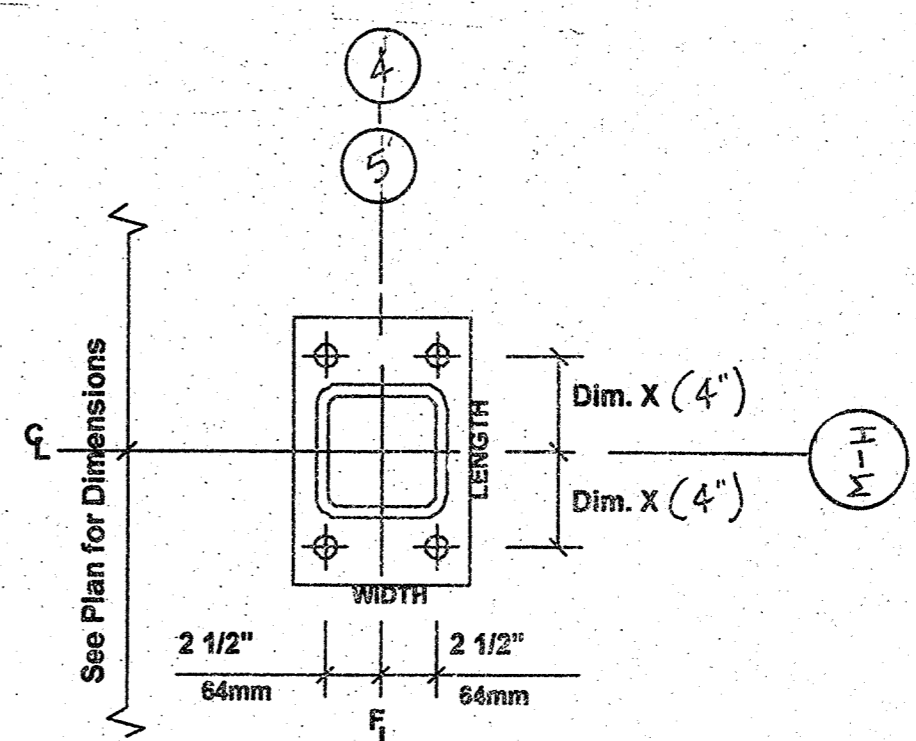


TYPICAL ANCHOR ROD PROJECTION

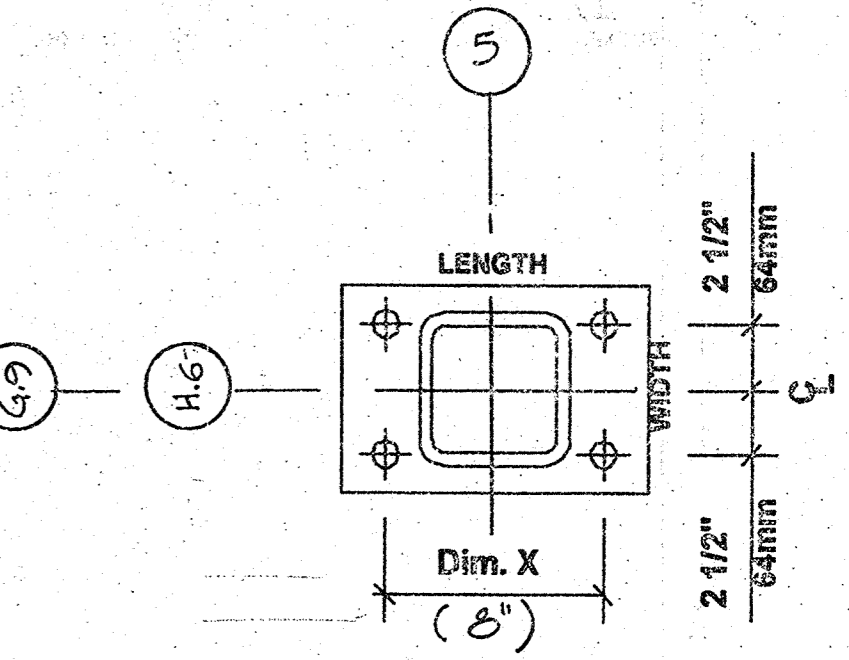


TYPICAL COLUMN BASE PLATE DETAIL

1. CONCRETE, GROUT, ANCHOR RODS, AND ANY OTHER EMBEDDED ITEMS ARE TO BE FURNISHED BY OTHERS.
2. UNLESS OTHERWISE SPECIFIED, MANUFACTURER ASSUMES CONCRETE HAS A COMPRESSIVE STRENGTH OF 3000 PSI.
3. ANCHOR ROD DIAMETERS WERE DETERMINED BY ALLOWABLE SHEAR AND TENSION PER AISC SPECIFICATIONS (FY=36KSI). ANCHOR ROD LENGTH, EFFECTS OF EMBEDDED ANCHOR ROD EDGE DIMENSIONS AND METHOD OF TRANSFERRING FORCES FROM ANCHOR RODS TO FOOTINGS ARE TO BE DETERMINED BY OTHERS.
4. UNLESS OTHERWISE SPECIFIED, ANCHOR RODS ARE DETAILED WITH A PITCH AND GAGE OF 5 INCHES ASSUMING "CAST-IN-PLACE" ANCHOR RODS WITH "SNUG TIGHT" CONNECTIONS.
5. FOUNDATION MUST BE LEVEL, SQUARE AND SMOOTH. ANCHOR RODS MUST BE ACCURATELY PLACED AS SHOWN ON THIS DRAWING OR STEEL WILL NOT FIT.
6. THE BUILDER IS RESPONSIBLE FOR ACCURATE SETTING OF ANCHOR RODS WITHIN INDIVIDUAL COLUMN ROD GROUPS - TOLERANCE +/- 1/8". DIMENSIONS BETWEEN ANCHOR ROD GROUPS - TOLERANCE +/- 1/4". ERECTION OF STEEL COMPONENTS MUST BE STRAIGHT AND PLUMB PER MBMA CODE OF STANDARD PRACTICE.
7. DESIGN LOADS AND REACTIONS ARE FURNISHED IN THE REACTIONS REPORT.



D8 (4) 3/4" Dia. A-36 A. Rods
Plate W=8" L=1'-1" Dim X= 4"
Elevation = 100'-1 1/2"



D9 (4) 3/4" Dia. A-36 A. Rods
Plate W=8" L=1'-1" Dim X= 8"
Elevation = 100'-1 1/2"

Finished Floor Elevation = 100'-0" (Unless Noted Otherwise)

FOR APPROVAL - NOT FOR CONSTRUCTION

THE VP ENGINEER'S SEAL APPLIES ONLY TO THE WORK PRODUCT OF VP AND DESIGN AND PERFORMANCE REQUIREMENTS SPECIFIED BY VP. THE VP ENGINEER'S SEAL DOES NOT APPLY TO THE PERFORMANCE OR DESIGN OF ANY OTHER PRODUCT OR COMPONENT FURNISHED BY VP EXCEPT TO ANY DESIGN OR PERFORMANCE REQUIREMENTS SPECIFIED BY VP.

THIS DRAWING, INCLUDING THE INFORMATION HEREON, REMAINS THE PROPERTY OF VP BUILDINGS. IT IS PROVIDED SOLELY FOR ERECTING THE BUILDING DESCRIBED IN THE APPLICABLE PURCHASE ORDER AND SHALL NOT BE MODIFIED, REPRODUCED OR USED FOR ANY OTHER PURPOSE WITHOUT PRIOR WRITTEN APPROVAL OF VP BUILDINGS.

THE GENERAL CONTRACTOR AND/OR ERECTOR IS SOLELY RESPONSIBLE FOR ACCURATE, GOOD QUALITY WORKMANSHIP IN ERECTING THIS BUILDING IN CONFORMANCE WITH THIS DRAWING, DETAILS REFERENCED IN THIS DRAWING, ALL APPLICABLE VP ERECTION GUIDES, AND INDUSTRY STANDARDS PERTAINING TO PROPER ERECTION, INCLUDING THE CORRECT USE OF TEMPORARY BRACING.

| VP Buildings | | | |
|---|------|----|-------------|
| 3200 Players Club Circle Memphis TN 38125 | | | |
| REV | DATE | BY | DESCRIPTION |
| | | | |
| | | | |
| | | | |
| | | | |

| ANCHOR ROD DETAILS | |
|--------------------|--|
| BUILDER | Broadmoor, LLC |
| CUSTOMER | John F. Stennis Space Center |
| LOCATION | Stennis Space Center, Mississippi |
| PROJECT | Riverine & Combatant Craft Operations Facility |
| BUILDERS PO# | |



| | |
|-------------|--------------|
| JOBNO | 08-28814 EP1 |
| DATE | 2/12/2009 |
| DRAWN/CHECK | MWM |
| PAGE | 4 |