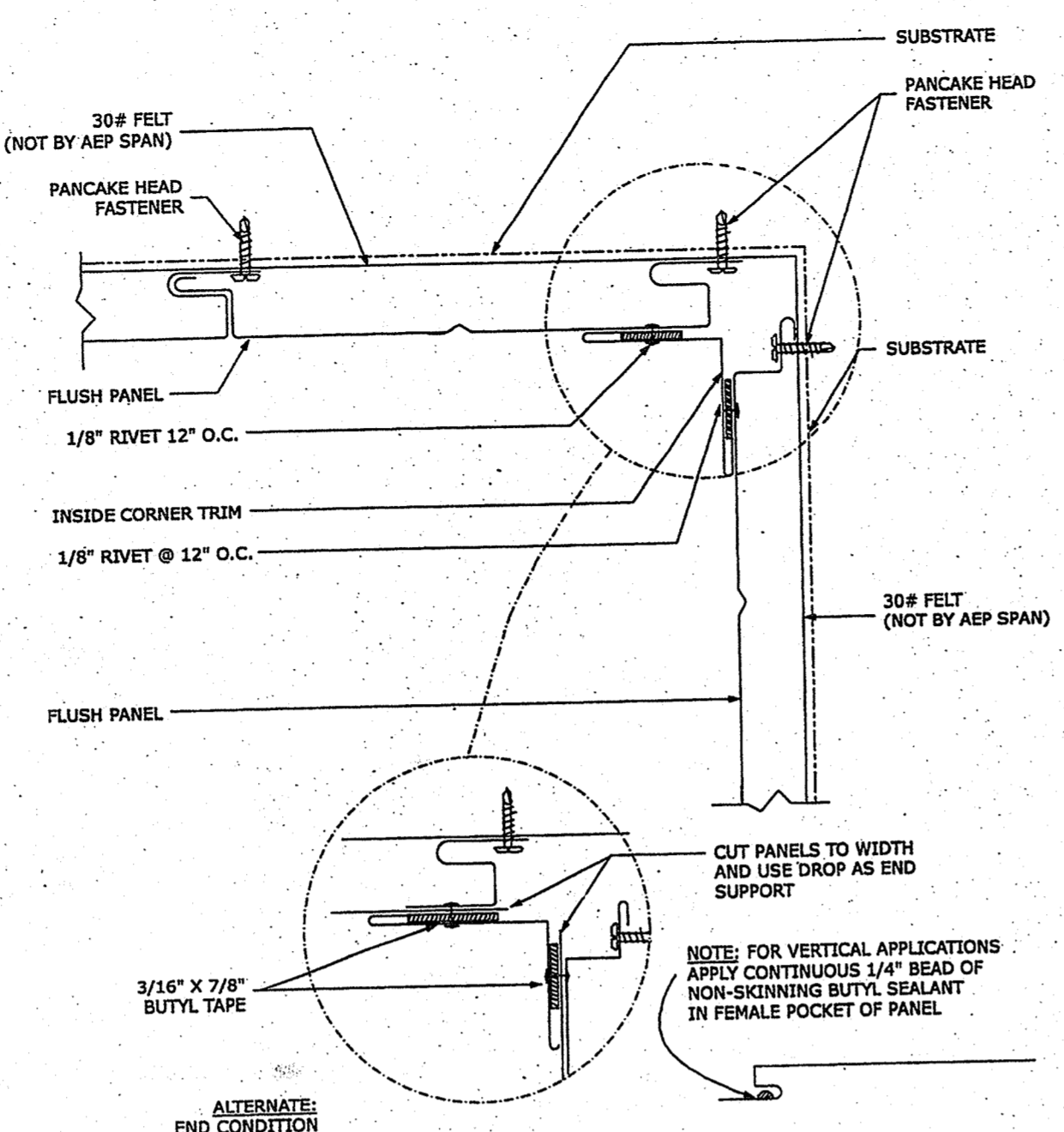
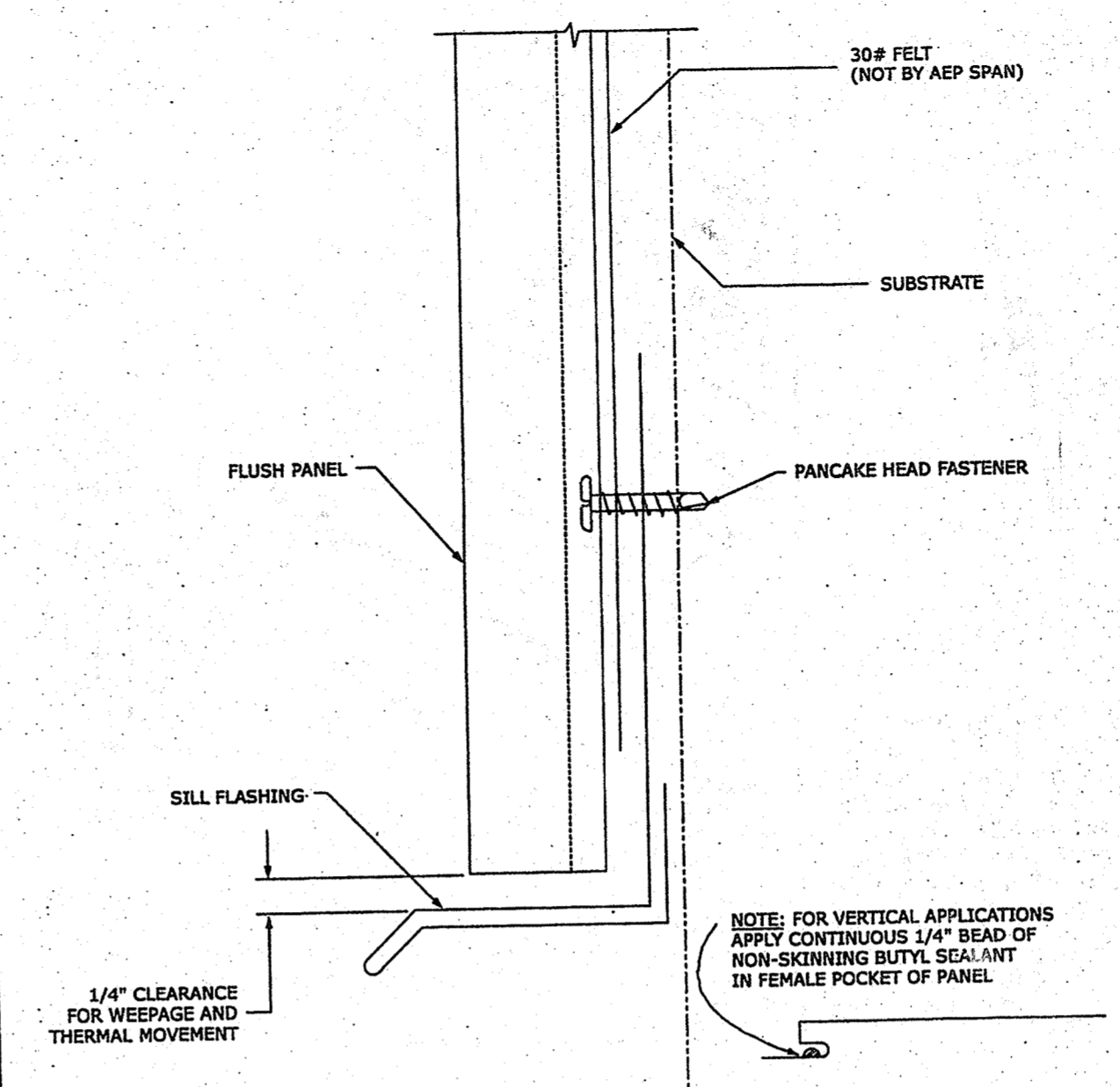


AVAILABLE MATERIAL & THICKNESS  
 STEEL = 24 GA. OR 22 GA.  
 ALUMINUM = .032  
 PERFORATED ALUMINUM = .032

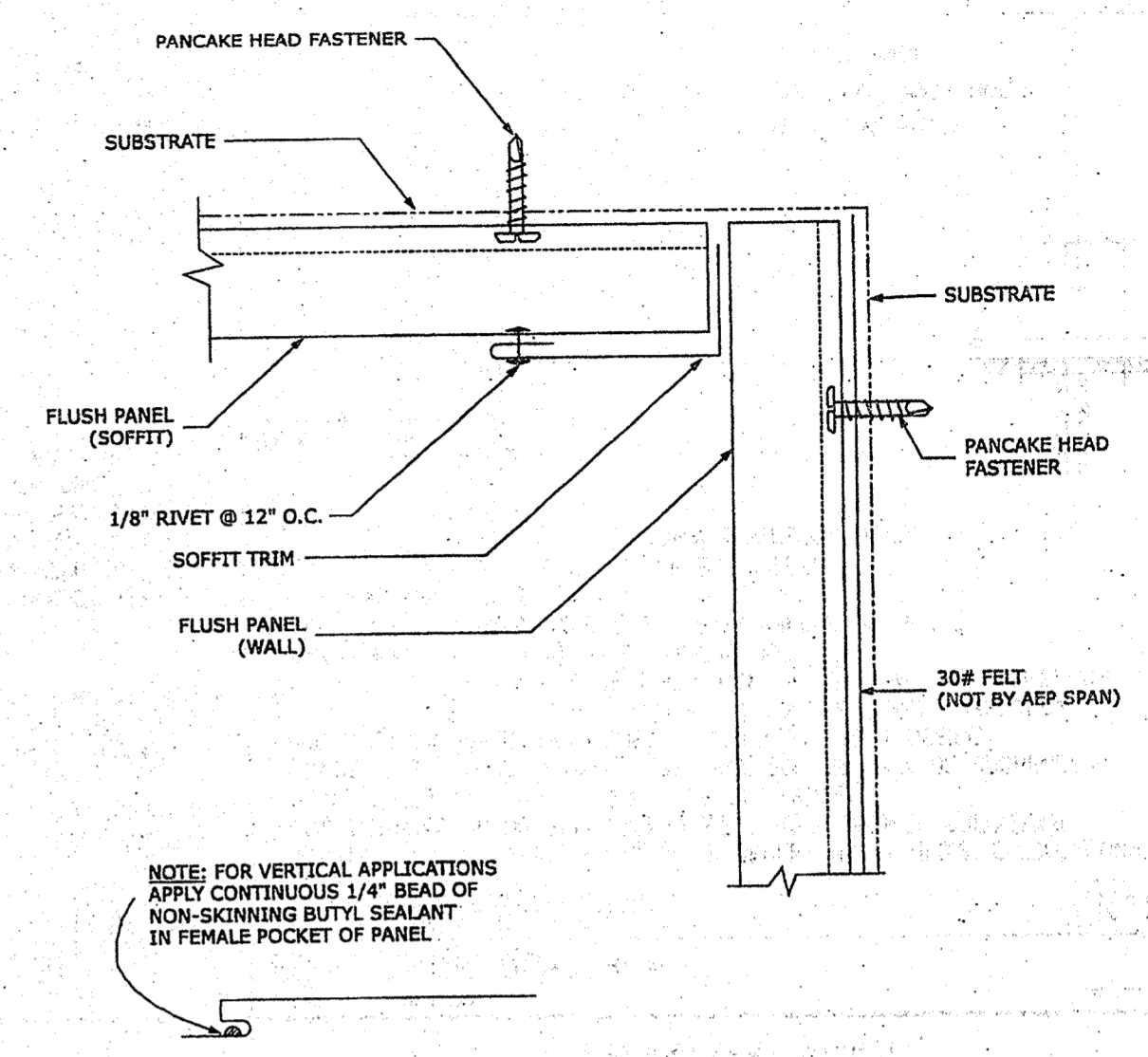
**AEP SPAN** **FLUSH-PANEL** PANEL PROFILE **FP-0**  
*Engineered Solutions in Metal*



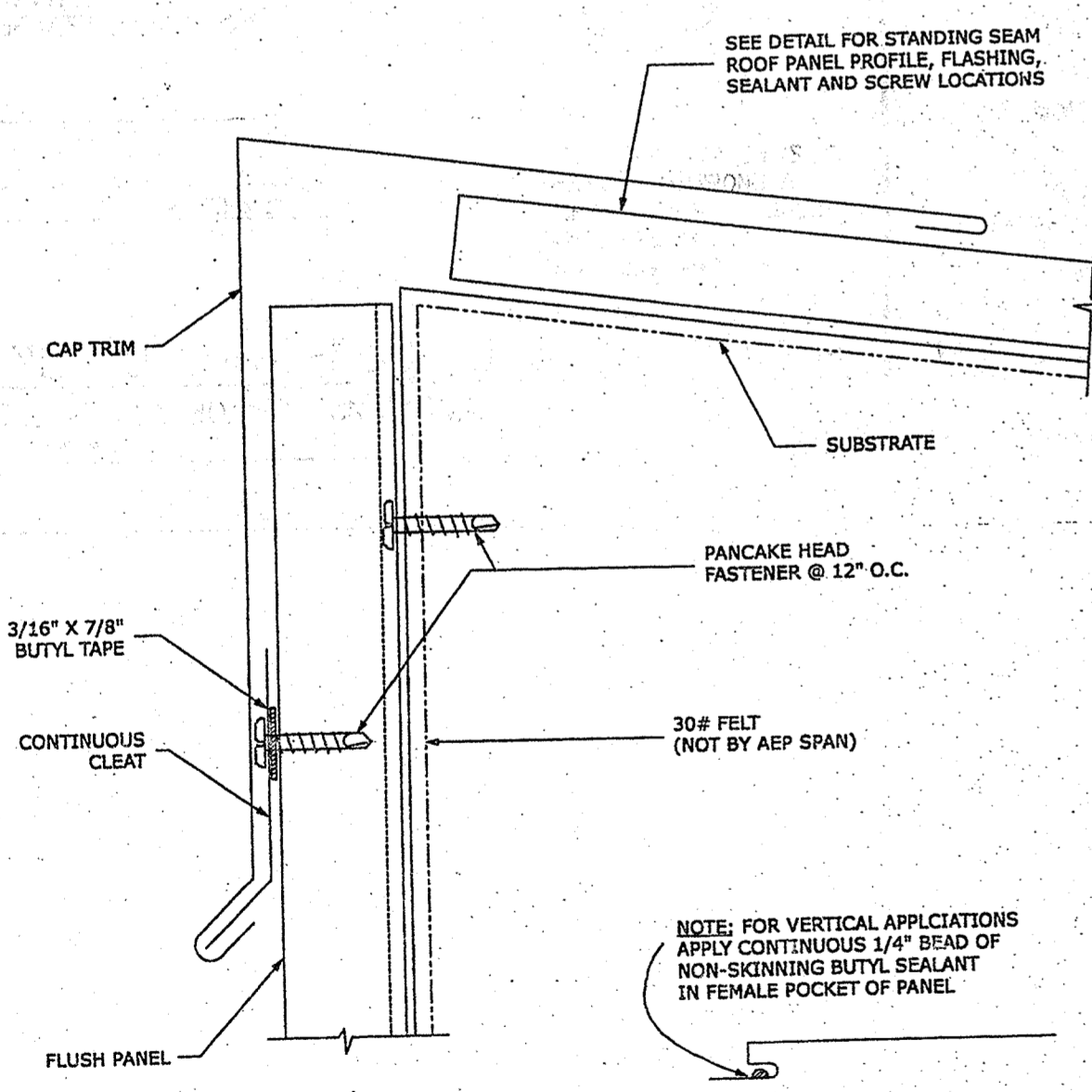
**AEP SPAN** **FLUSH-PANEL** INSIDE CORNER **FP-2**  
*Engineered Solutions in Metal*



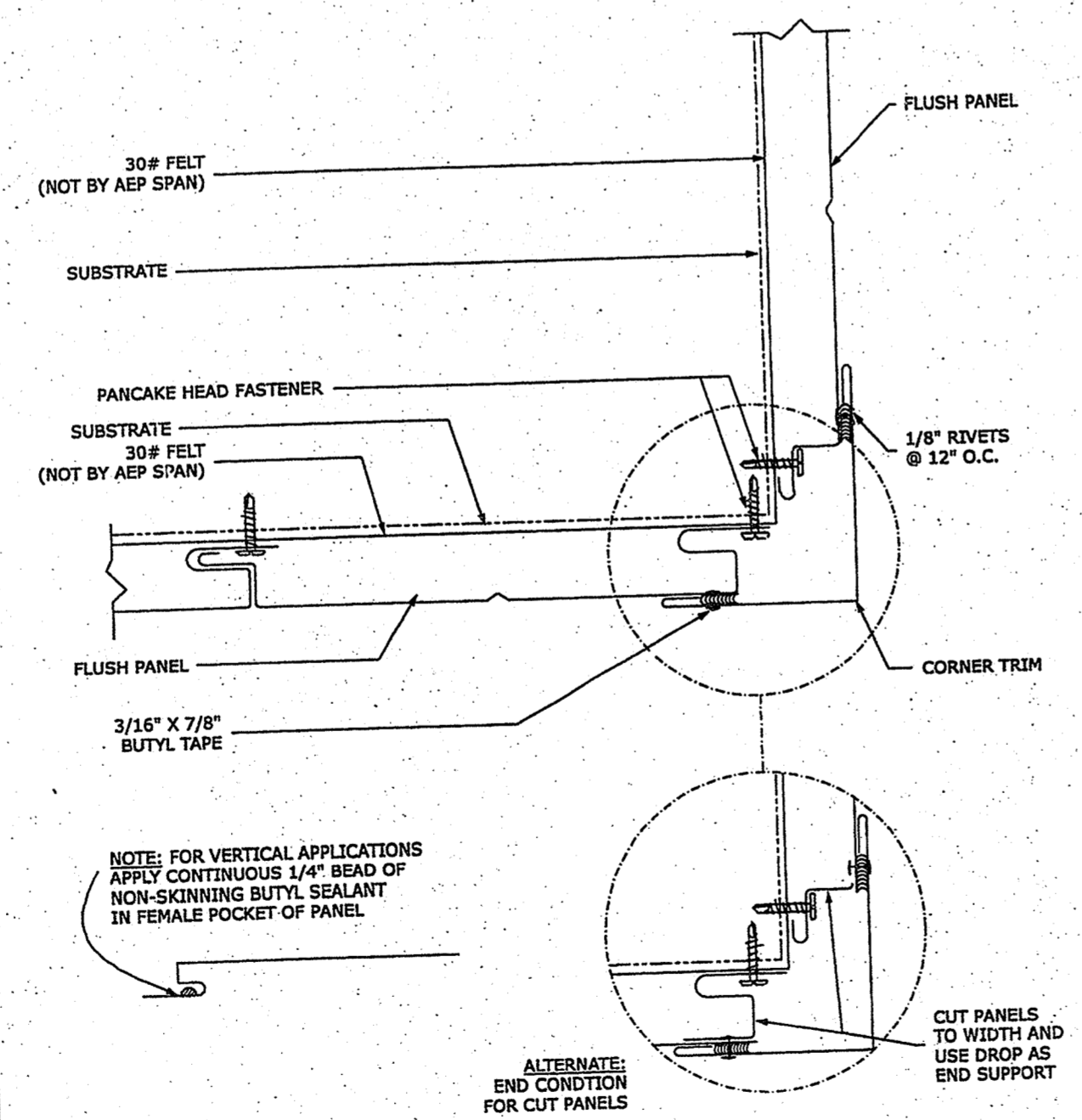
**AEP SPAN** **FLUSH-PANEL** PANEL SILL **FP-4**  
*Engineered Solutions in Metal*



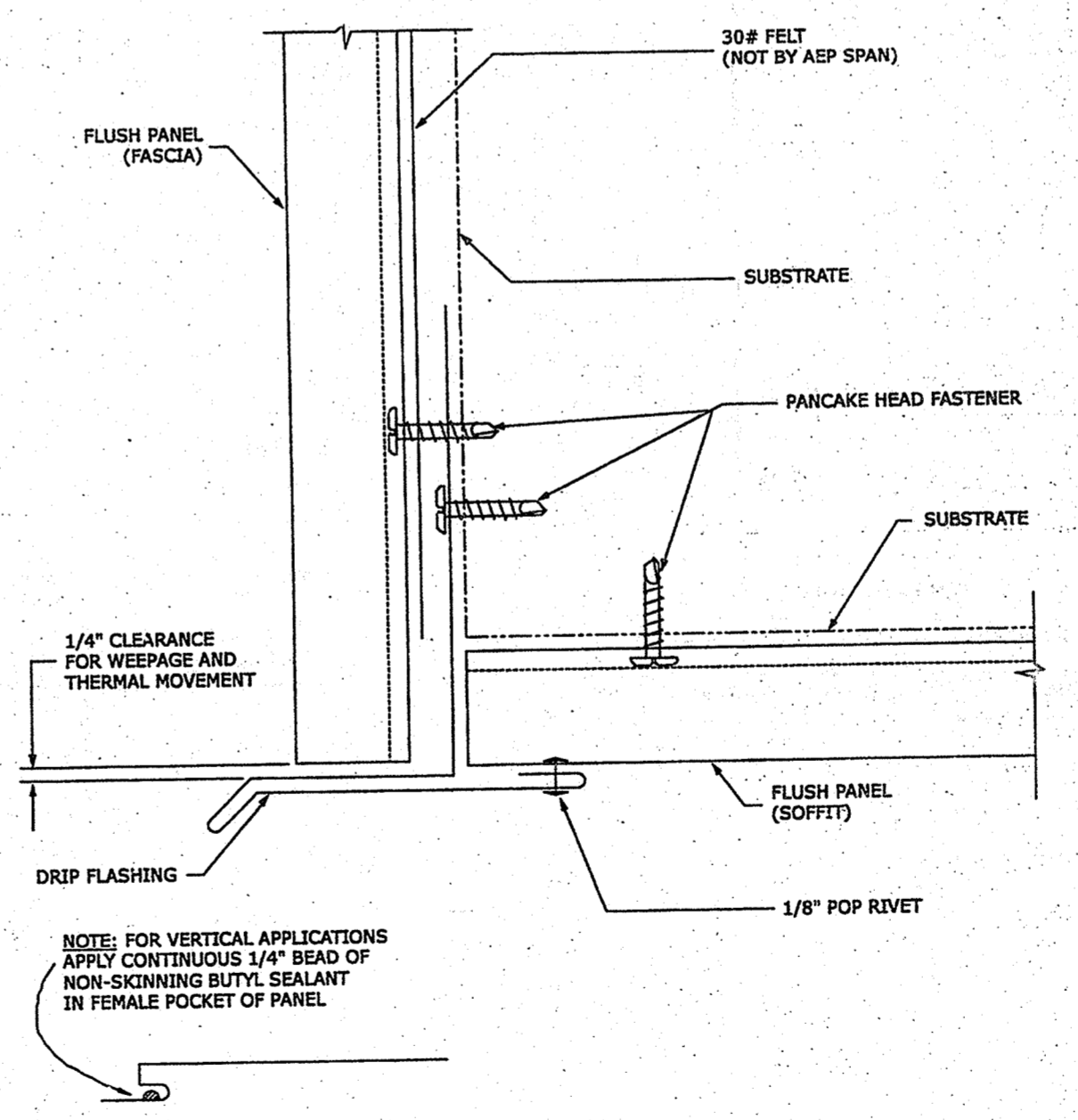
**AEP SPAN** **FLUSH-PANEL** SOFFIT - WALL TRANSITION **FP-6**  
*Engineered Solutions in Metal*



**AEP SPAN** **FLUSH-PANEL** HIGH EAVE **FP-1**  
*Engineered Solutions in Metal*



**AEP SPAN** **FLUSH-PANEL** OUTSIDE CORNER **FP-3**  
*Engineered Solutions in Metal*



**AEP SPAN** **FLUSH-PANEL** FASCIA - SOFFIT TRANSITION **FP-5**  
*Engineered Solutions in Metal*

THE VP ENGINEER'S SEAL APPLIES ONLY TO THE WORK PRODUCT OF VP AND DESIGN AND PERFORMANCE REQUIREMENTS SPECIFIED BY VP. THE VP ENGINEER'S SEAL DOES NOT APPLY TO THE PERFORMANCE OR DESIGN OF ANY OTHER PRODUCT OR COMPONENT FURNISHED BY VP EXCEPT TO ANY DESIGN OR PERFORMANCE REQUIREMENTS SPECIFIED BY VP.

THIS DRAWING, INCLUDING THE INFORMATION HEREON, REMAINS THE PROPERTY OF VP BUILDINGS. IT IS PROVIDED SOLELY FOR ERECTING THE BUILDING DESCRIBED IN THE APPLICABLE PURCHASE ORDER AND SHALL NOT BE MODIFIED, REPRODUCED OR USED FOR ANY OTHER PURPOSE WITHOUT PRIOR WRITTEN APPROVAL OF VP BUILDINGS.

THE GENERAL CONTRACTOR AND/OR ERECTOR IS SOLELY RESPONSIBLE FOR ACCURATE, GOOD QUALITY WORKMANSHIP IN ERECTING THIS BUILDING IN CONFORMANCE WITH THIS DRAWING, DETAILS REFERENCED IN THIS DRAWING, ALL APPLICABLE VP ERECTION GUIDES, AND INDUSTRY STANDARDS PERTAINING TO PROPER ERECTION, INCLUDING THE CORRECT USE OF TEMPORARY BRACING.

VP Buildings			
3200 Players Club Circle Memphis TN 38125			
REV	DATE	BY	DESCRIPTION
NTS			

FP12 DETAILS	
BUILDER	Broadmoor, LLC
CUSTOMER	John F. Stennis Space Center
LOCATION	Stennis Space Center, Mississippi
PROJECT	Riverine and Combatant Craft Operations Facility
BUILDERS P.O.#	
FILENAME	02-28914-FP12-VBC
VP VERSION	7.1c
JOBNO	06-28914 EP2
DATE	2/9/09
DRAWN/CHECK	MJM
PAGE	51

