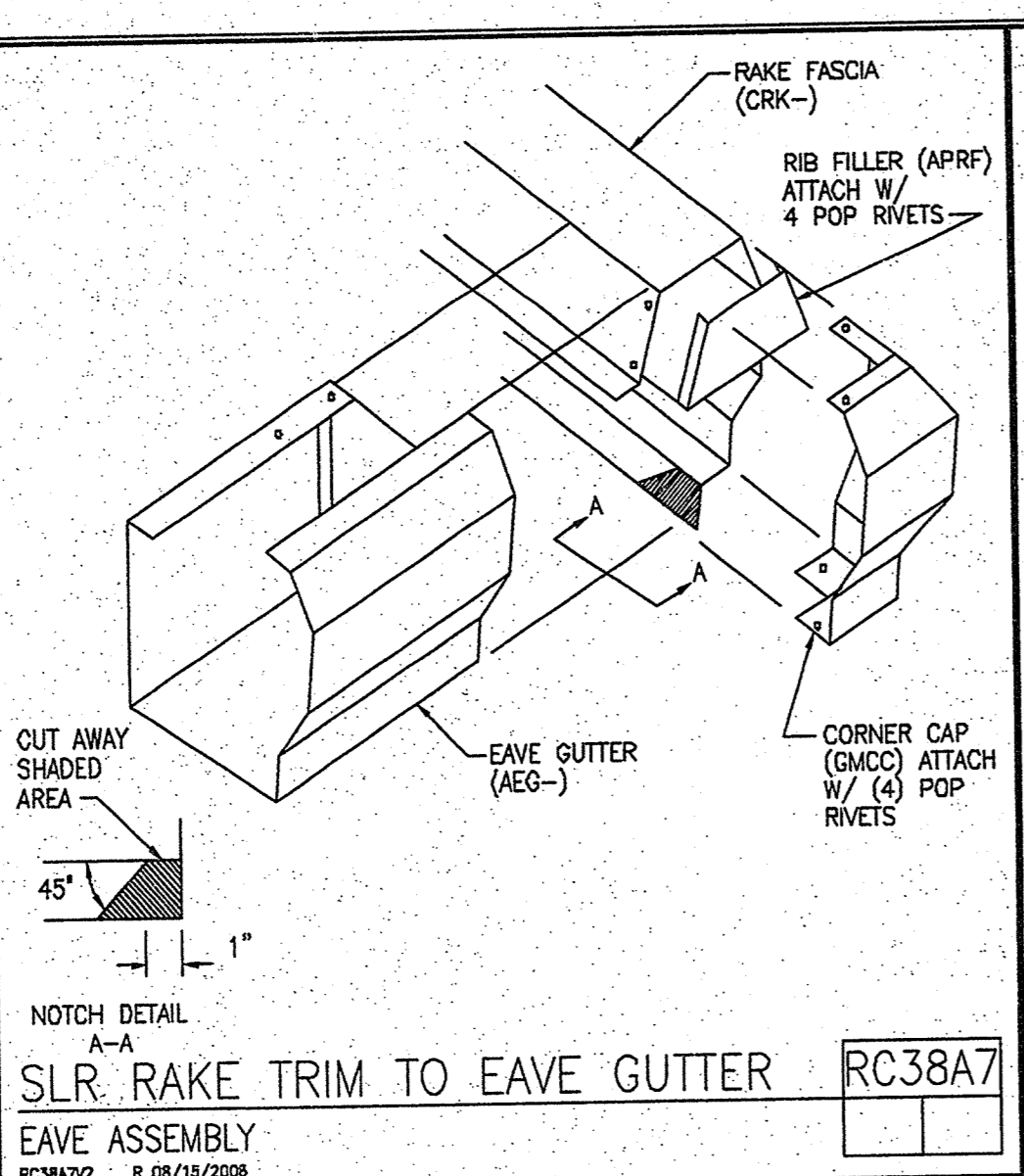
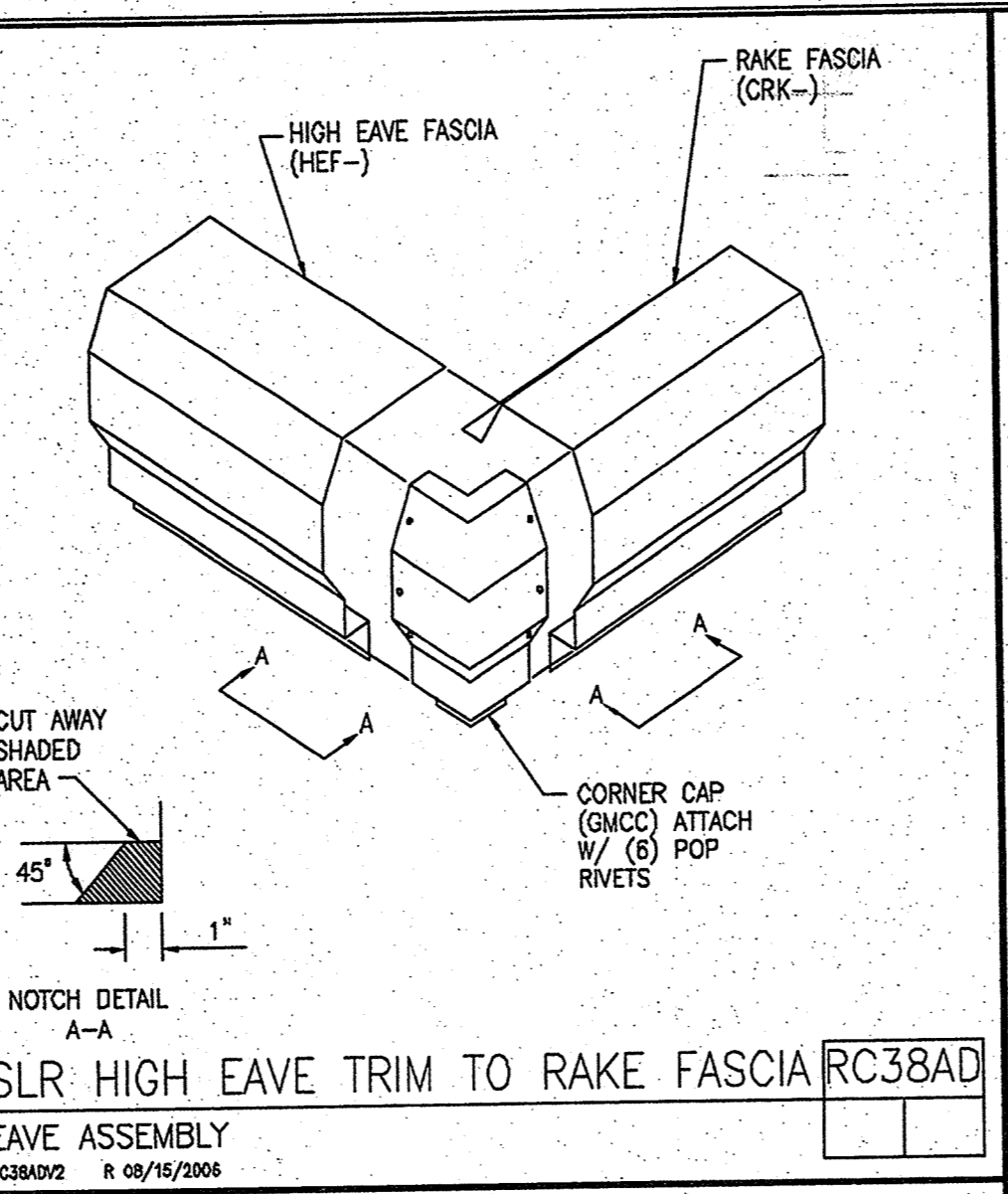


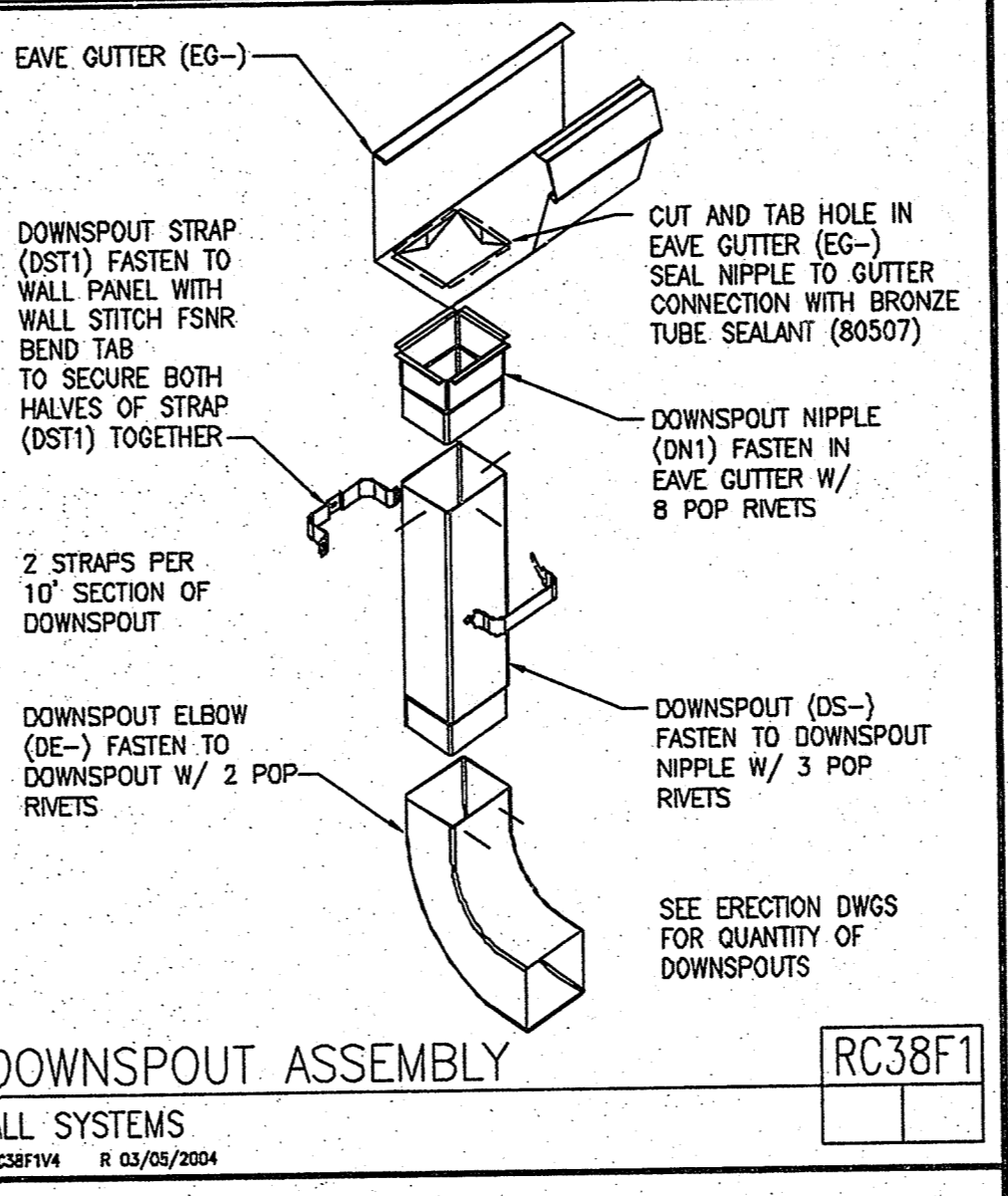
SLR ROOF W/EAVE GUTTER RC32G4
 PR, VR OR RPR PANEL AT RAKE EXT OR CANOPY
 RC32G4V2 R 08/15/2007



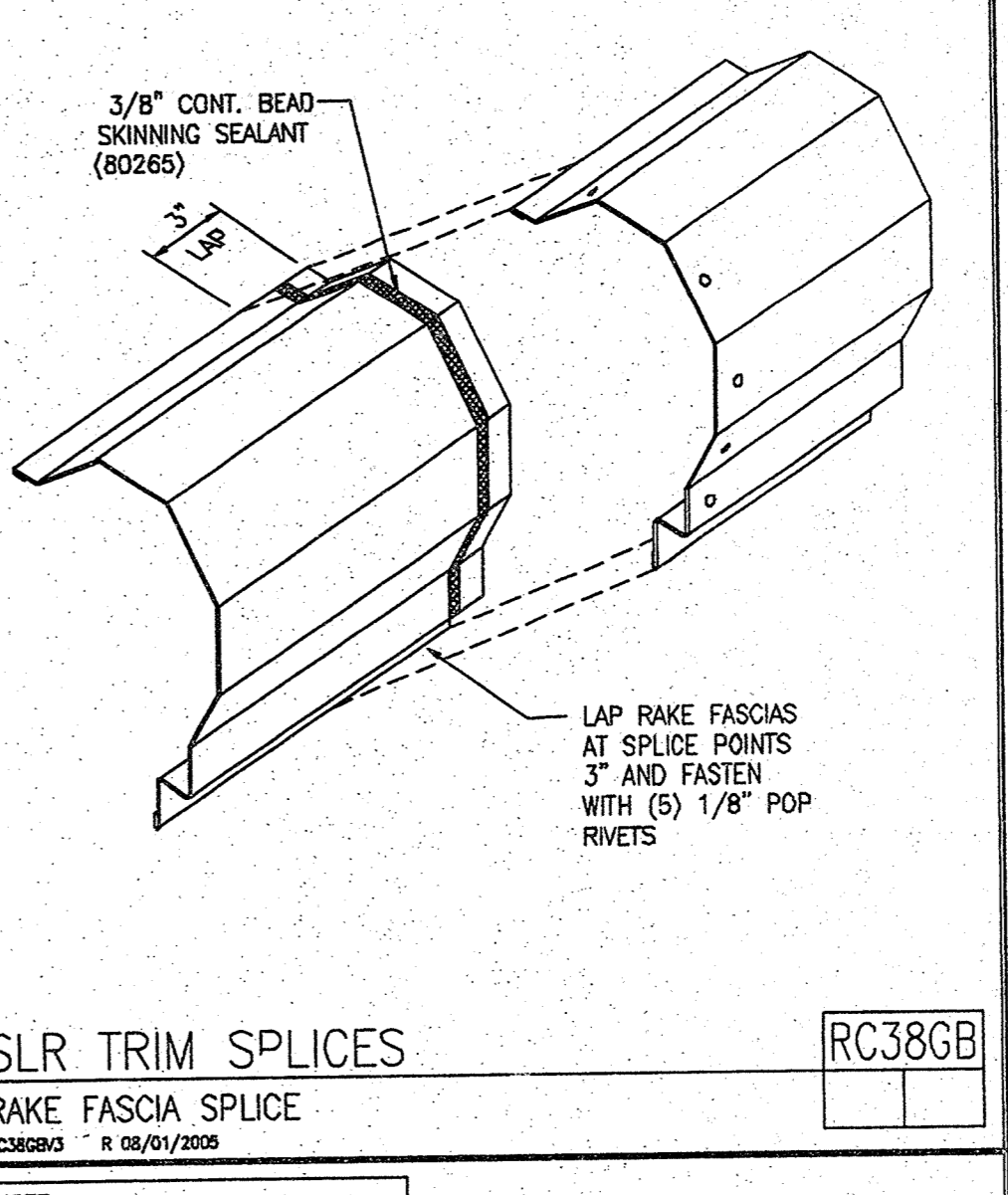
SLR RAKE TRIM TO EAVE GUTTER RC38A7
 EAVE ASSEMBLY
 RC38A7V2 R 08/15/2006



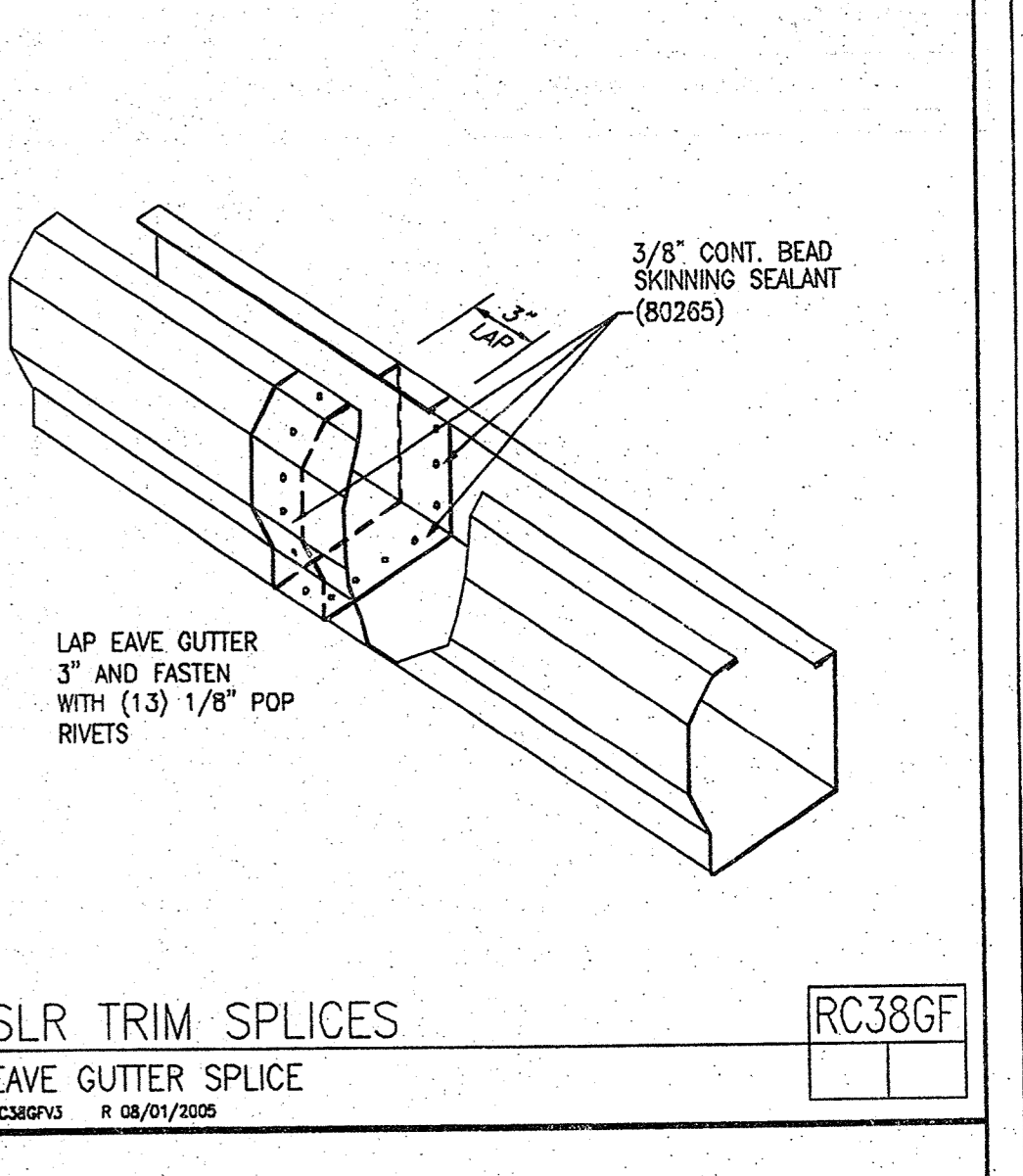
SLR HIGH EAVE TRIM TO RAKE FASCIA RC38AD
 EAVE ASSEMBLY
 RC38ADV2 R 08/15/2006



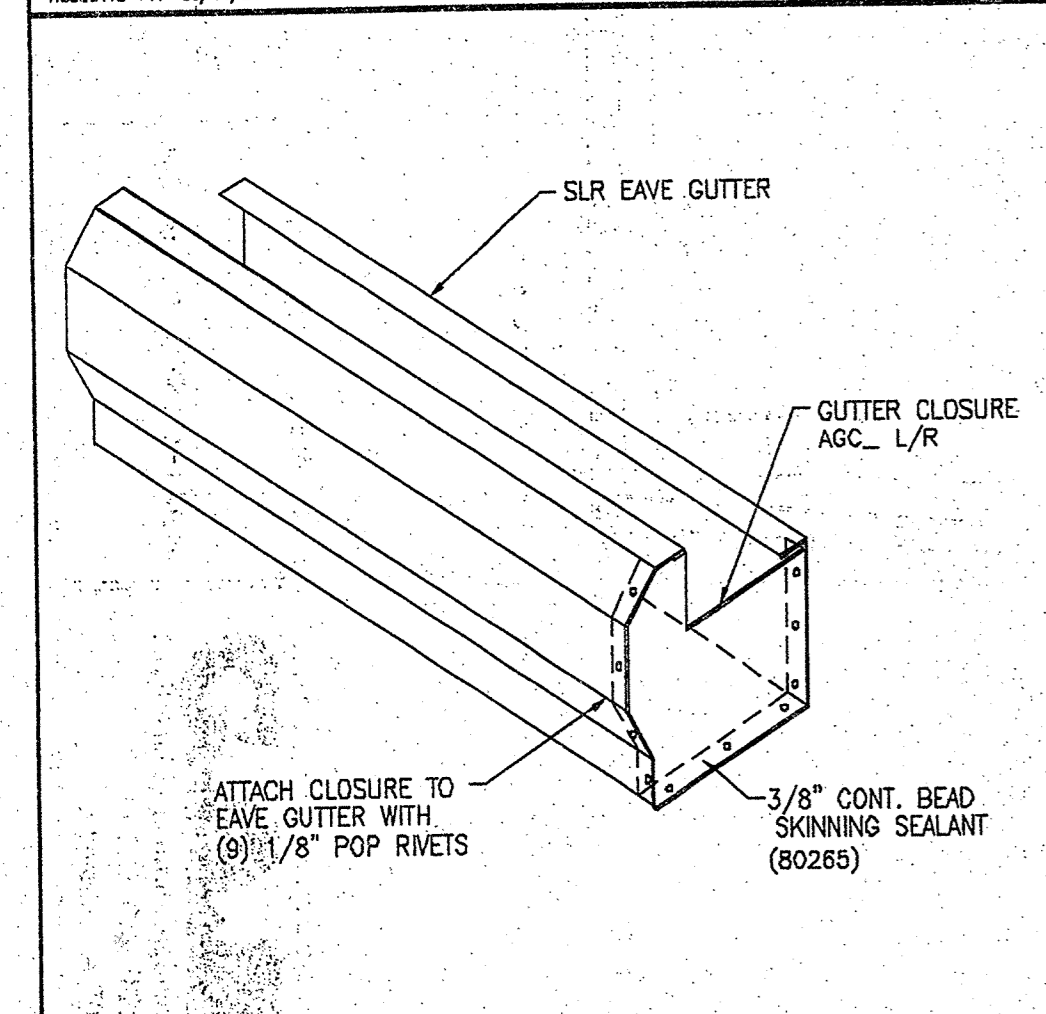
DOWNSPOUT ASSEMBLY RC38F1
 ALL SYSTEMS
 RC38F1V4 R 03/01/2004



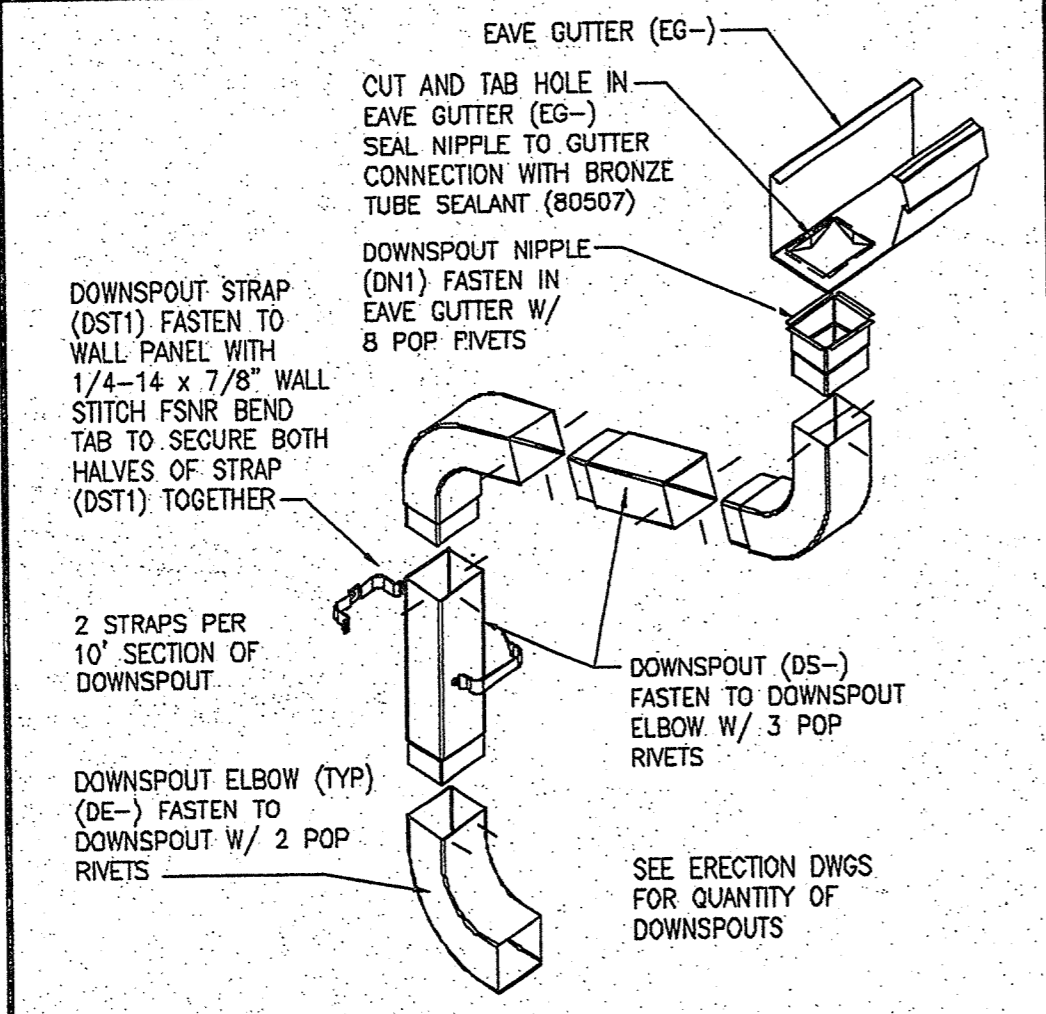
SLR TRIM SPLICES RC38GB
 RAKE FASCIA SPLICE
 RC38GBV3 R 08/01/2006



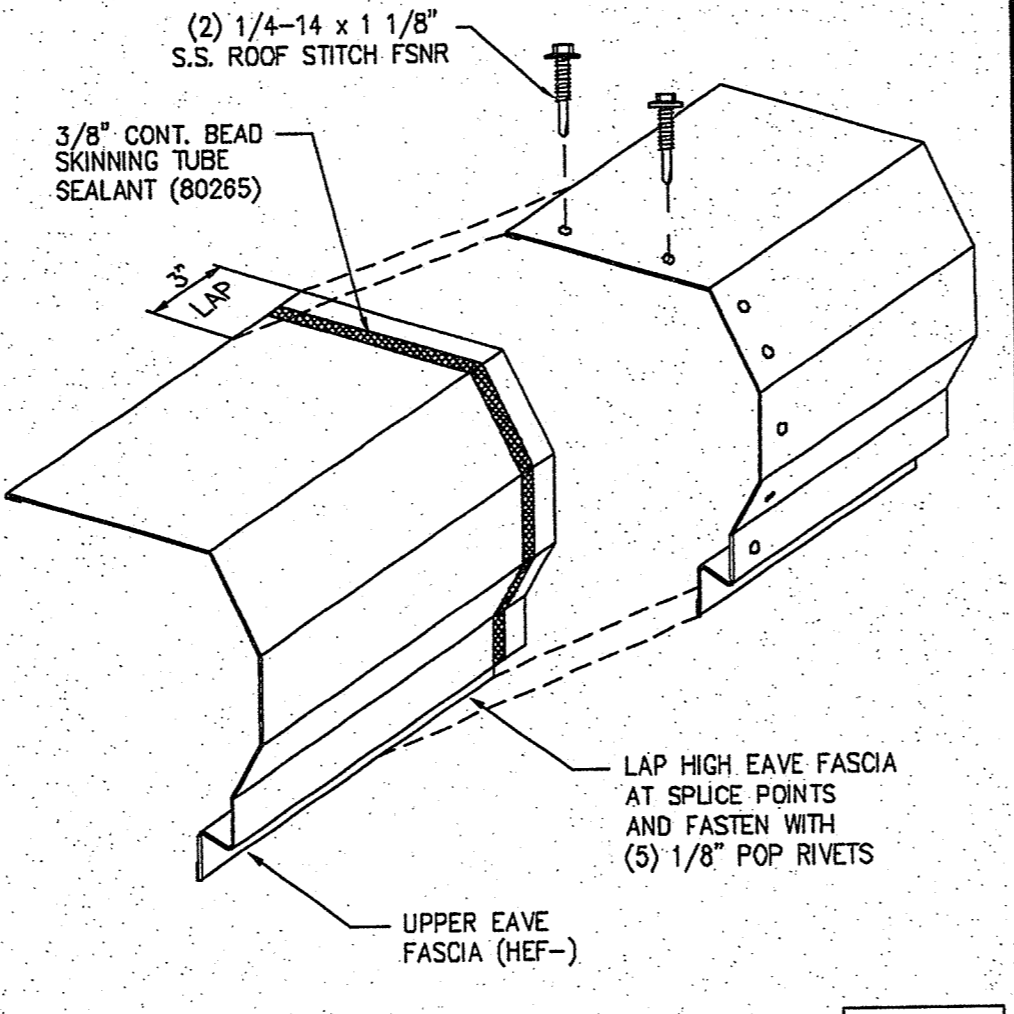
SLR TRIM SPLICES RC38GF
 EAVE GUTTER SPLICE
 RC38GFV3 R 08/01/2006



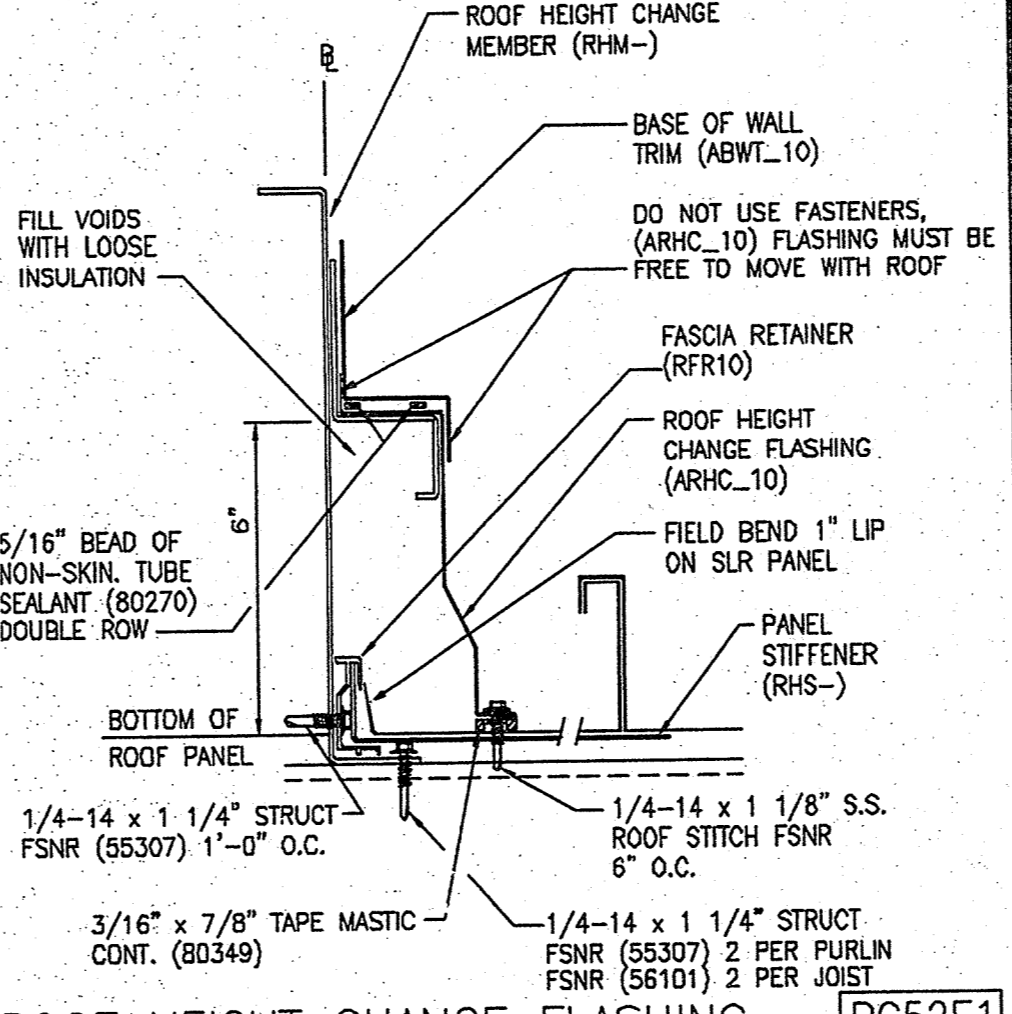
SLR GUTTER ENDCAP RC38GG
 RIGHT HAND SHOWN, LEFT HAND OPPOSITE
 RC38GGV6 R 10/23/2008



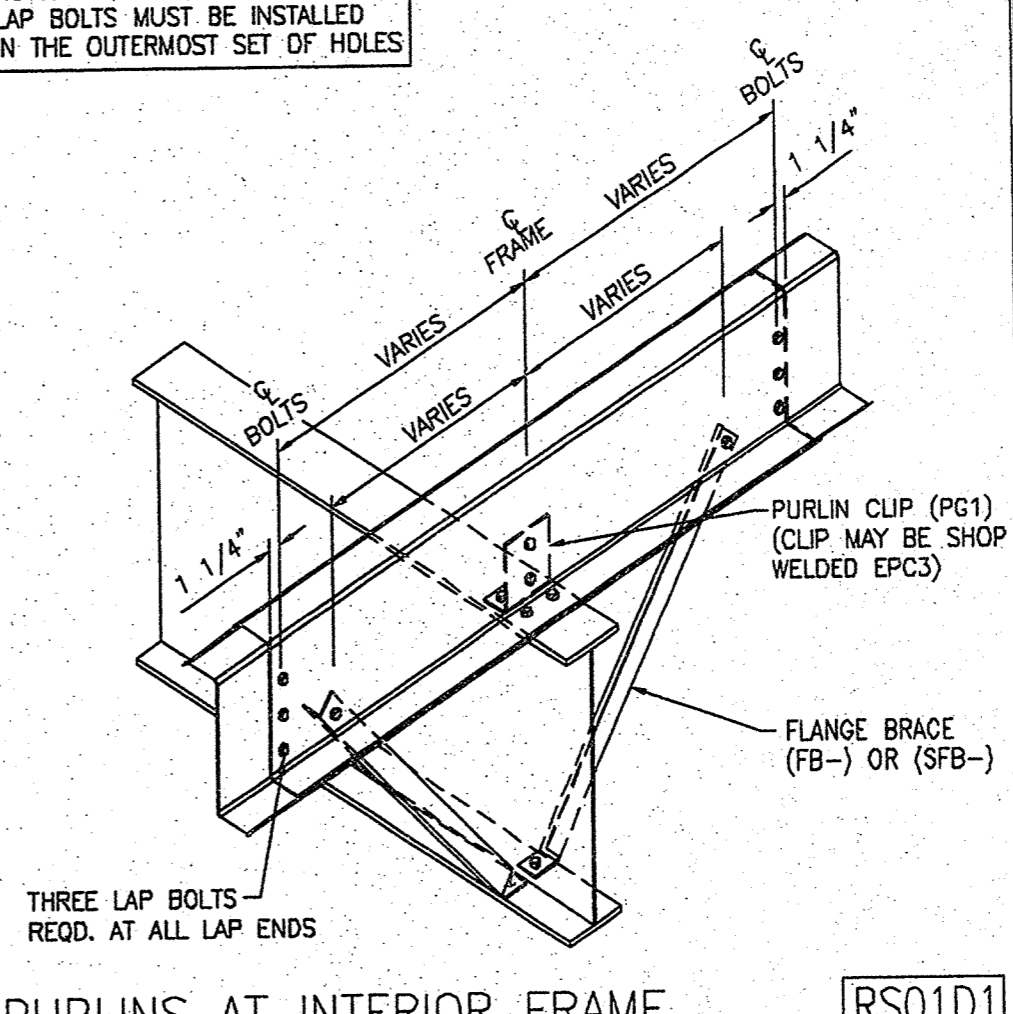
DOWNSPOUT ASSEMBLY RC38M1
 ALL SYSTEMS (WITH CANOPY)
 RC38M1V2 R 07/01/2004



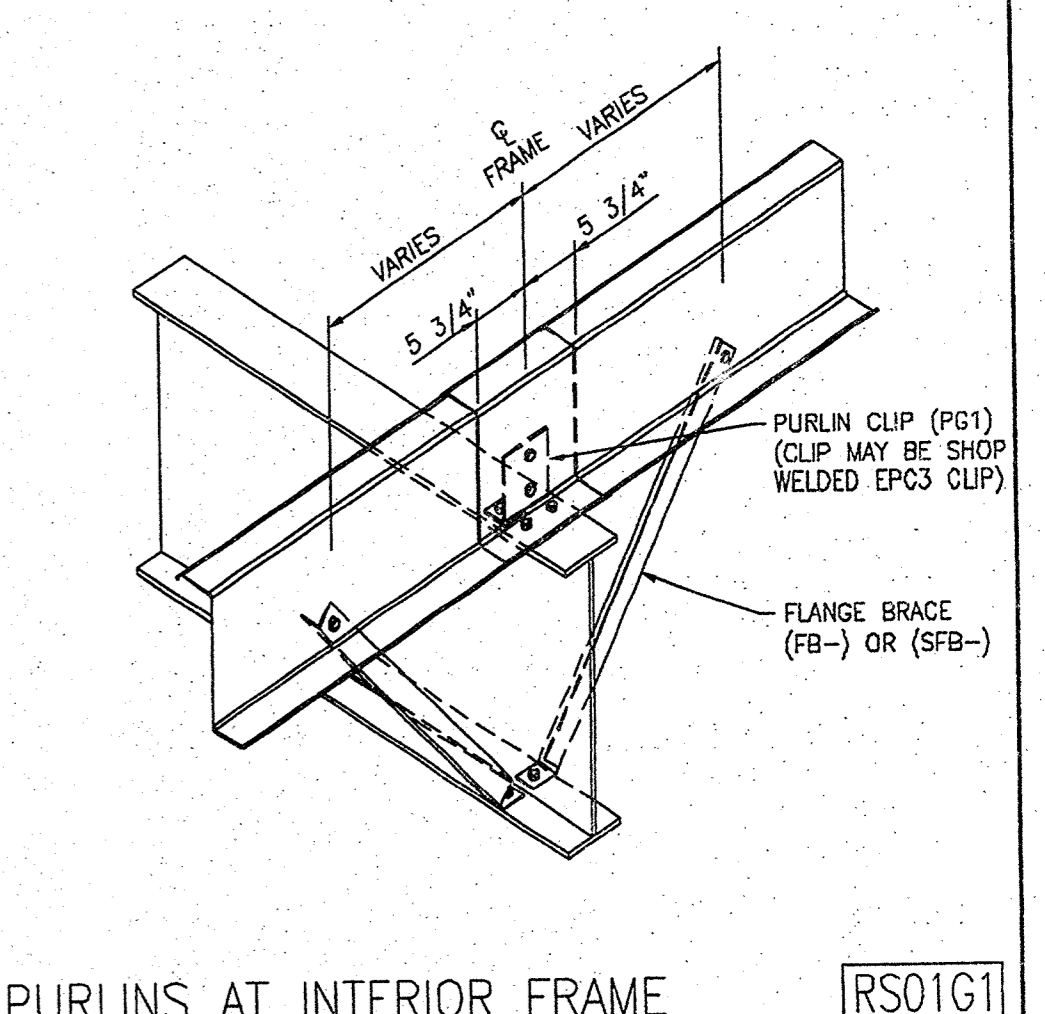
SLR TRIM SPLICES RC38M5
 HIGH EAVE FASCIA SPLICE
 RC38M5V6 R 08/15/2006



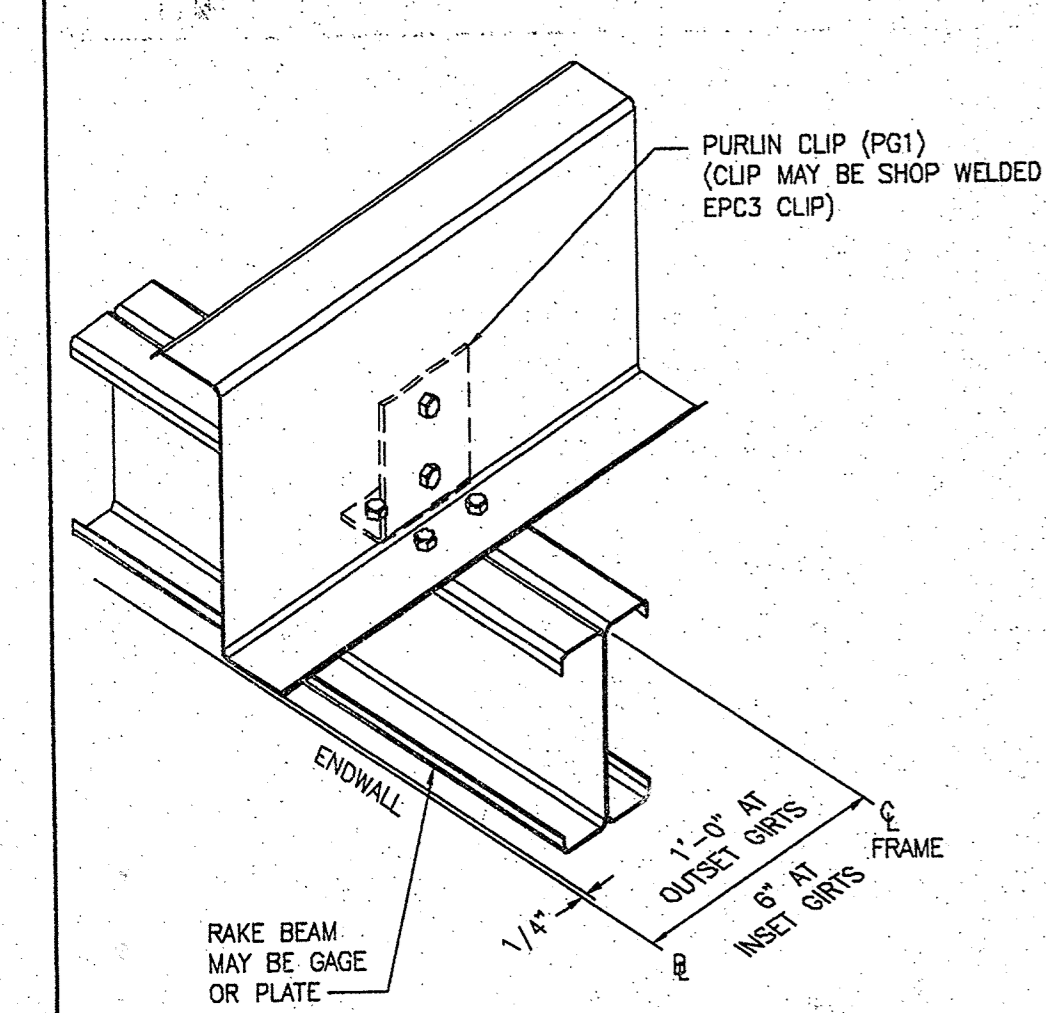
ROOF HEIGHT CHANGE FLASHING RC52E1
 SLR ROOF
 RC52E1V4 R 08/01/2006



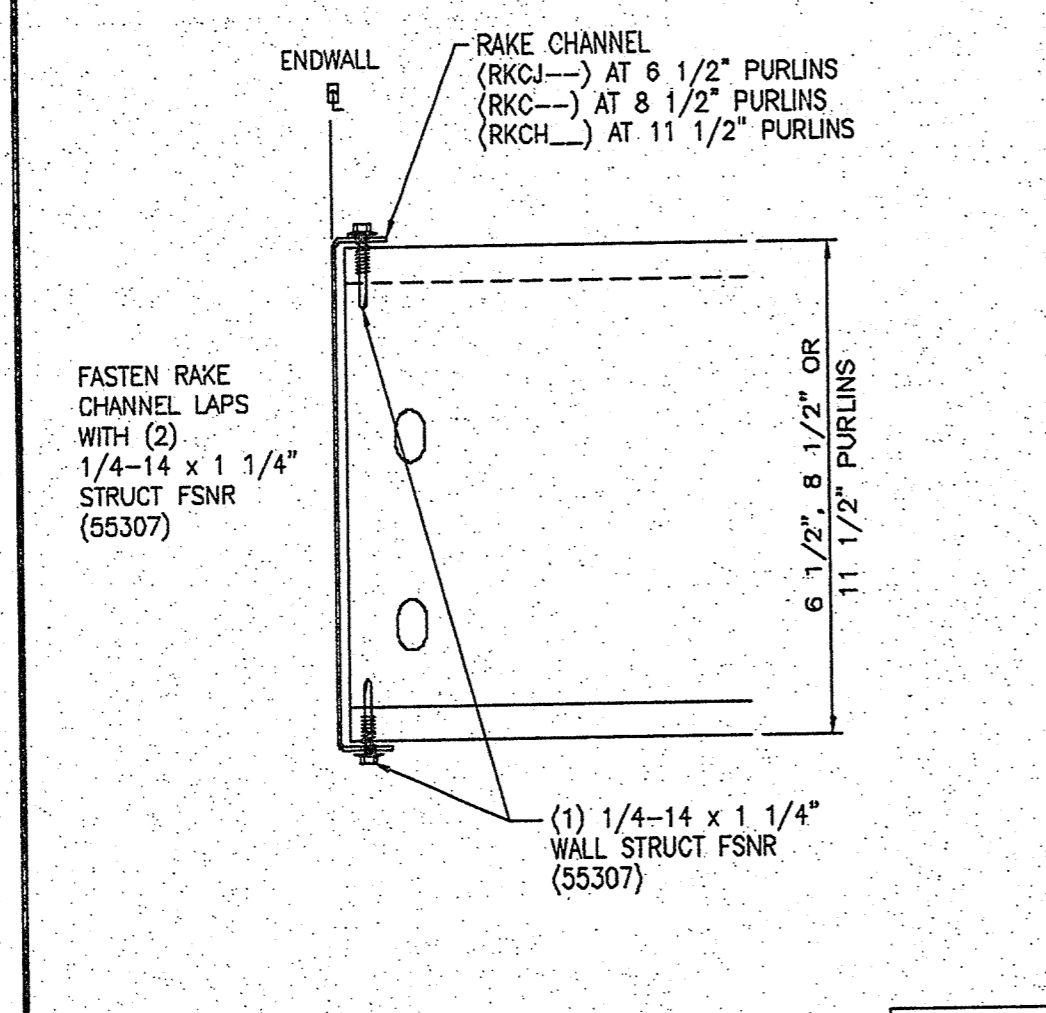
PURLINS AT INTERIOR FRAME RS01D1
 11 1/2" CONTINUOUS PURLINS
 RS01D1V6 R 08/25/2007



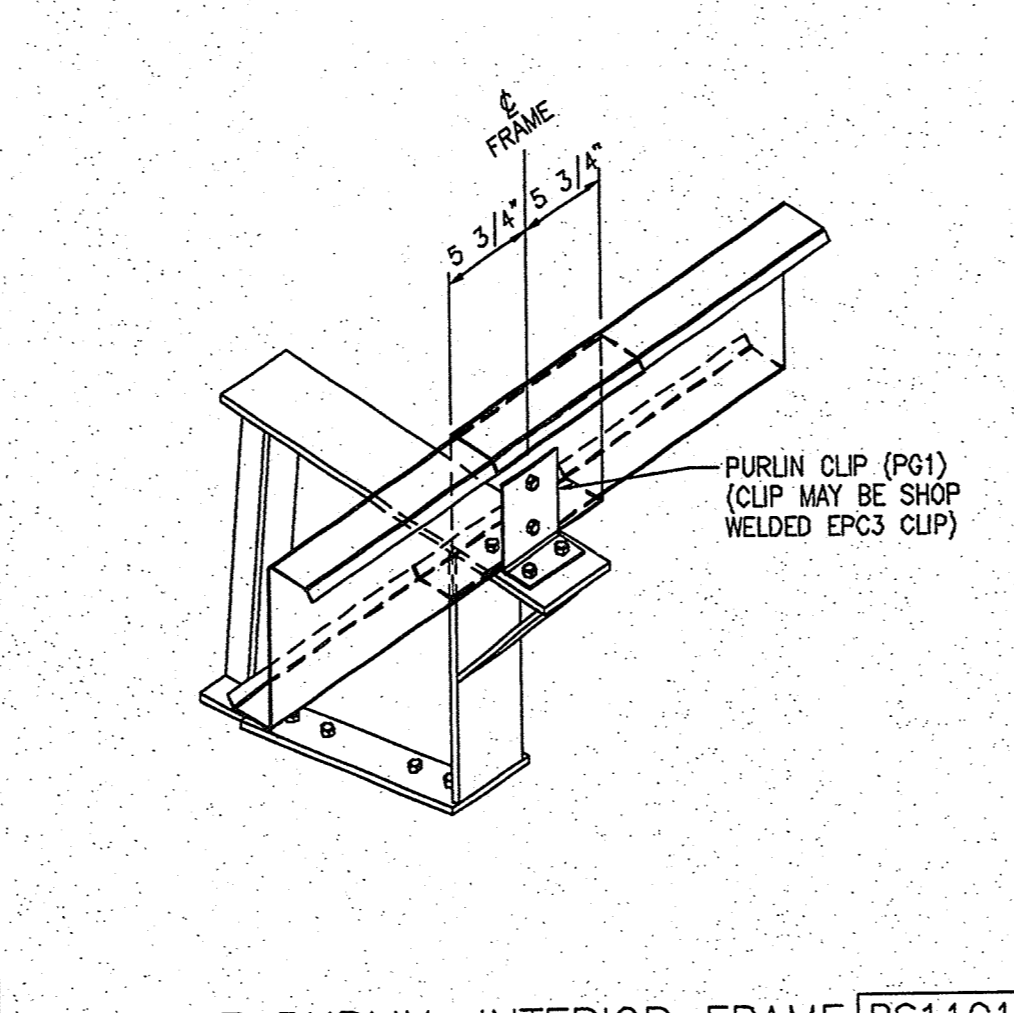
PURLINS AT INTERIOR FRAME RS01G1
 11 1/2" SIMPLE PURLINS
 RS01G1V6 R 08/25/2007



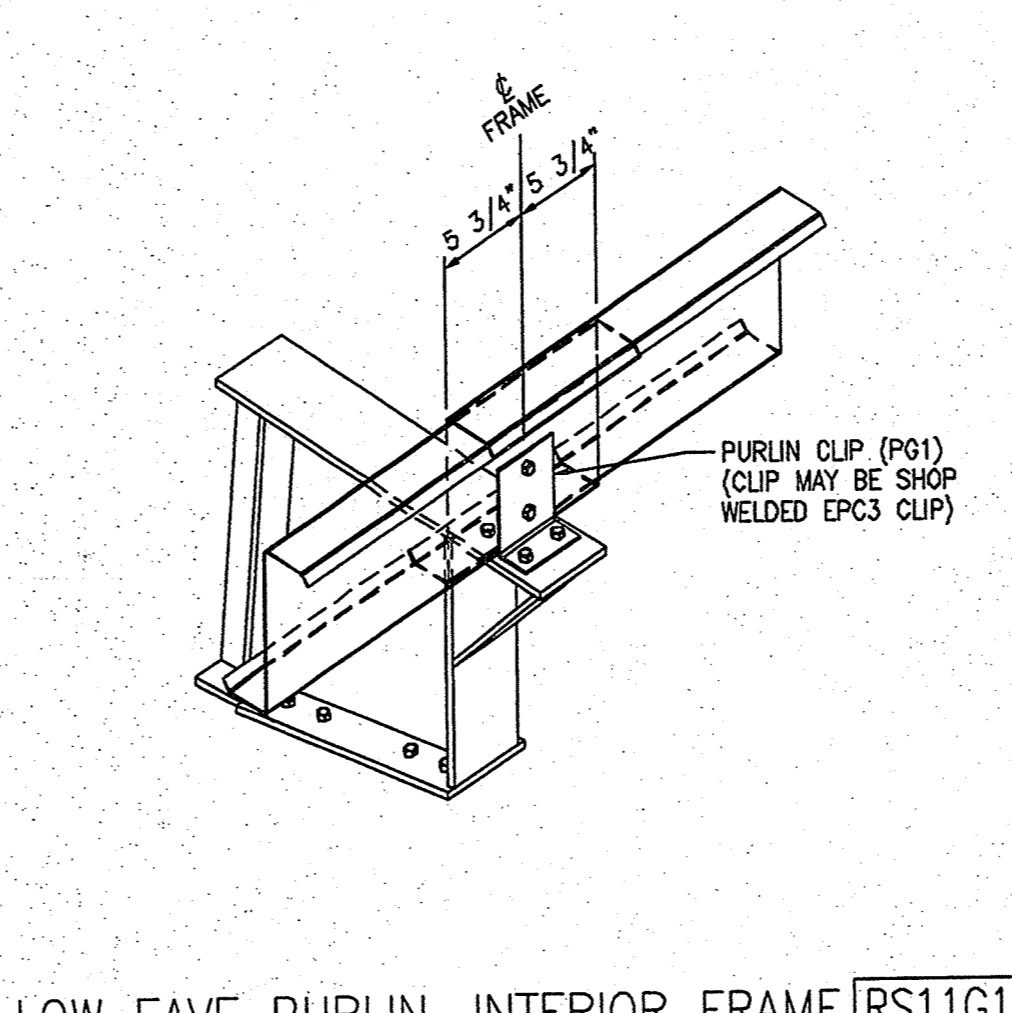
PURLIN AT END FRAME RS02B1
 11 1/2" CONTINUOUS / SIMPLE PURLINS
 RS02B1V1 R 08/25/2007



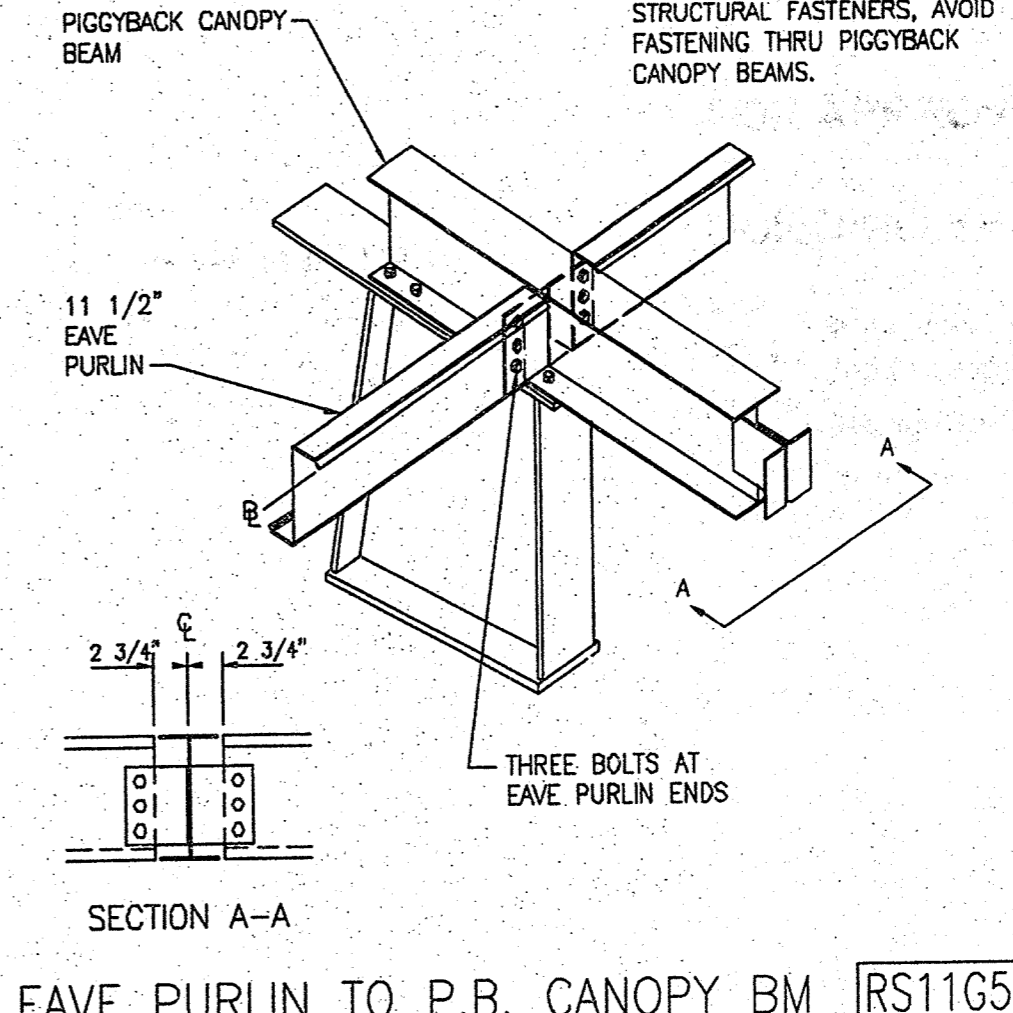
RAKE CHANNEL TO PURLIN (SSR) RS10G1
 6 1/2", 8 1/2" OR 11 1/2" PURLIN (PR OR VR WALLS)
 RS10G1V1 02/28/04



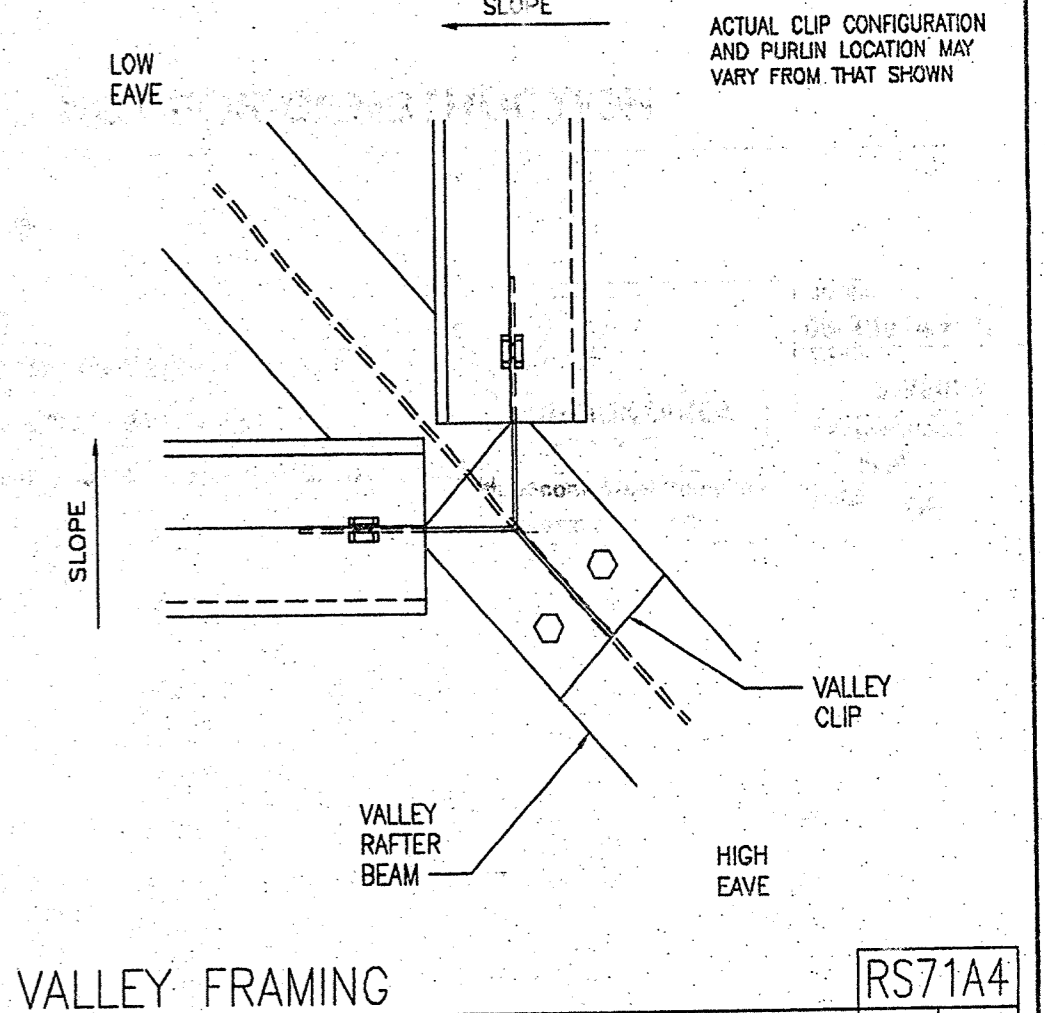
LOW EAVE PURLIN, INTERIOR FRAME RS11G1
 11 1/2" SIMPLE PURLINS
 RS11G1V10 R 08/25/2007



LOW EAVE PURLIN, INTERIOR FRAME RS11G1
 11 1/2" SIMPLE PURLINS
 RS11G1V10 R 08/25/2007



EAVE PURLIN TO P.B. CANOPY BM RS11G5
 11 1/2" PURLIN (EAVE PURLIN @ B.L.)
 RS11G5V6 R 08/25/2007



VALLEY FRAMING RS71A4
 PURLIN CLIP ATTACHMENT
 RS71A4V6 R 05/16/2004

FOR APPROVAL- NOT FOR CONSTRUCTION

THE VP ENGINEER'S SEAL APPLIES ONLY TO THE WORK PRODUCT OF VP AND DESIGN AND PERFORMANCE REQUIREMENTS SPECIFIED BY VP. THE VP ENGINEER'S SEAL DOES NOT APPLY TO THE PERFORMANCE OR DESIGN OF ANY OTHER PRODUCT OR COMPONENT FURNISHED BY VP EXCEPT TO ANY DESIGN OR PERFORMANCE REQUIREMENTS SPECIFIED BY VP.

THIS DRAWING, INCLUDING THE INFORMATION HEREON, REMAINS THE PROPERTY OF VP BUILDINGS. IT IS PROVIDED SOLELY FOR ERECTING THE BUILDING DESCRIBED IN THE APPLICABLE PURCHASE ORDER AND SHALL NOT BE MODIFIED, REPRODUCED OR USED FOR ANY OTHER PURPOSE WITHOUT PRIOR WRITTEN APPROVAL OF VP BUILDINGS.

THE GENERAL CONTRACTOR AND/OR ERECTOR IS SOLELY RESPONSIBLE FOR ACCURATE, GOOD QUALITY WORKMANSHIP IN ERECTING THIS BUILDING IN CONFORMANCE WITH THIS DRAWING, DETAILS REFERENCED IN THIS DRAWING, ALL APPLICABLE VP ERECTION GUIDES, AND INDUSTRY STANDARDS PERTAINING TO PROPER ERECTION, INCLUDING THE CORRECT USE OF TEMPORARY BRACING.

VP Buildings

3200 Players Club Circle Memphis TN 38125

REV	DATE	BY	DESCRIPTION

NTS

BUILDING SED'S

BUILDER	Broadmoor, LLC
CUSTOMER	John F. Stennis Space Center
LOCATION	Stennis Space Center, Mississippi
PROJECT	Riverine and Combatant Craft Operations Facility
BUILDERS PO#	

VP BUILDINGS
VARCO PRUDEN
MissScope Steel Company
vpc VERSION: 7.1c

JOBNO	08-28914 EP2
DATE	2/9/2009
DRAWN/CHECK	MWH
PAGE	34

FILENAME: 08-28914 Cover.VPC