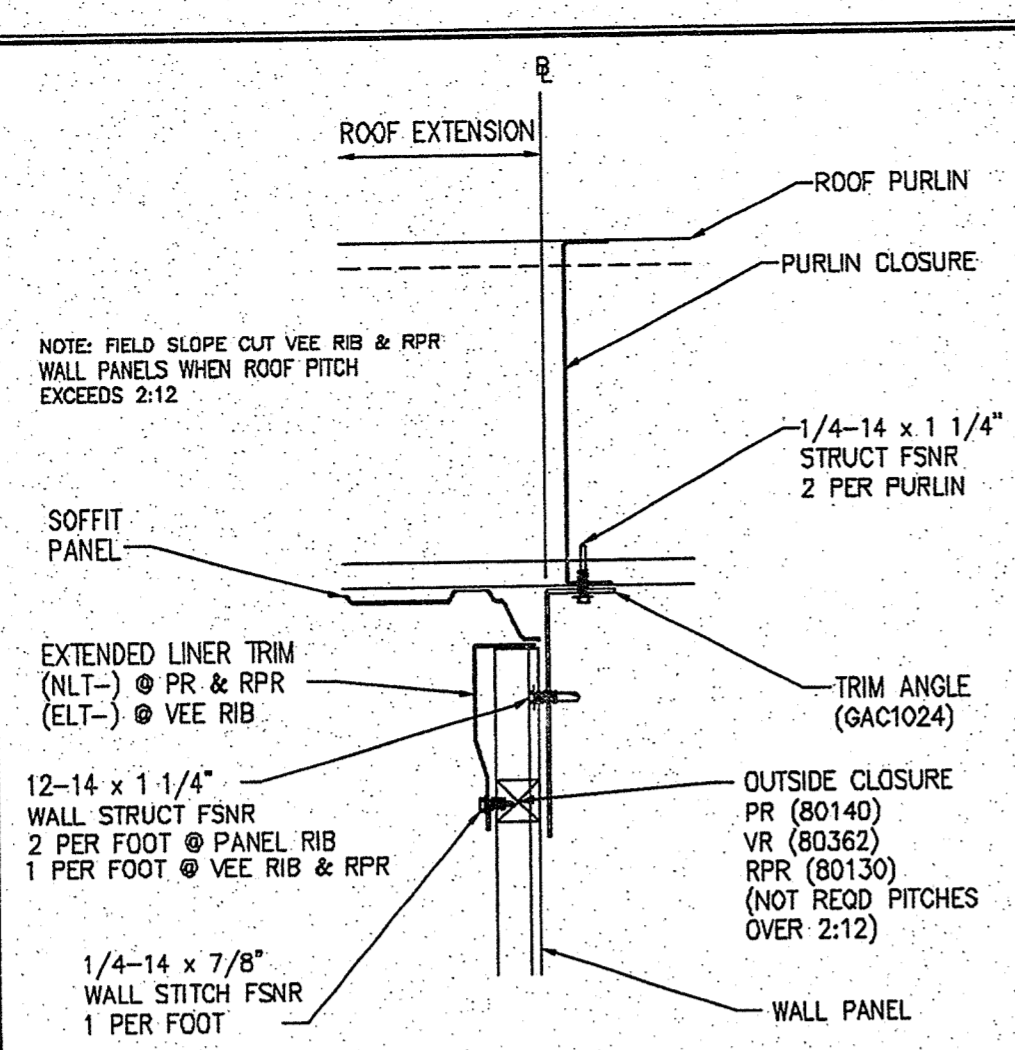
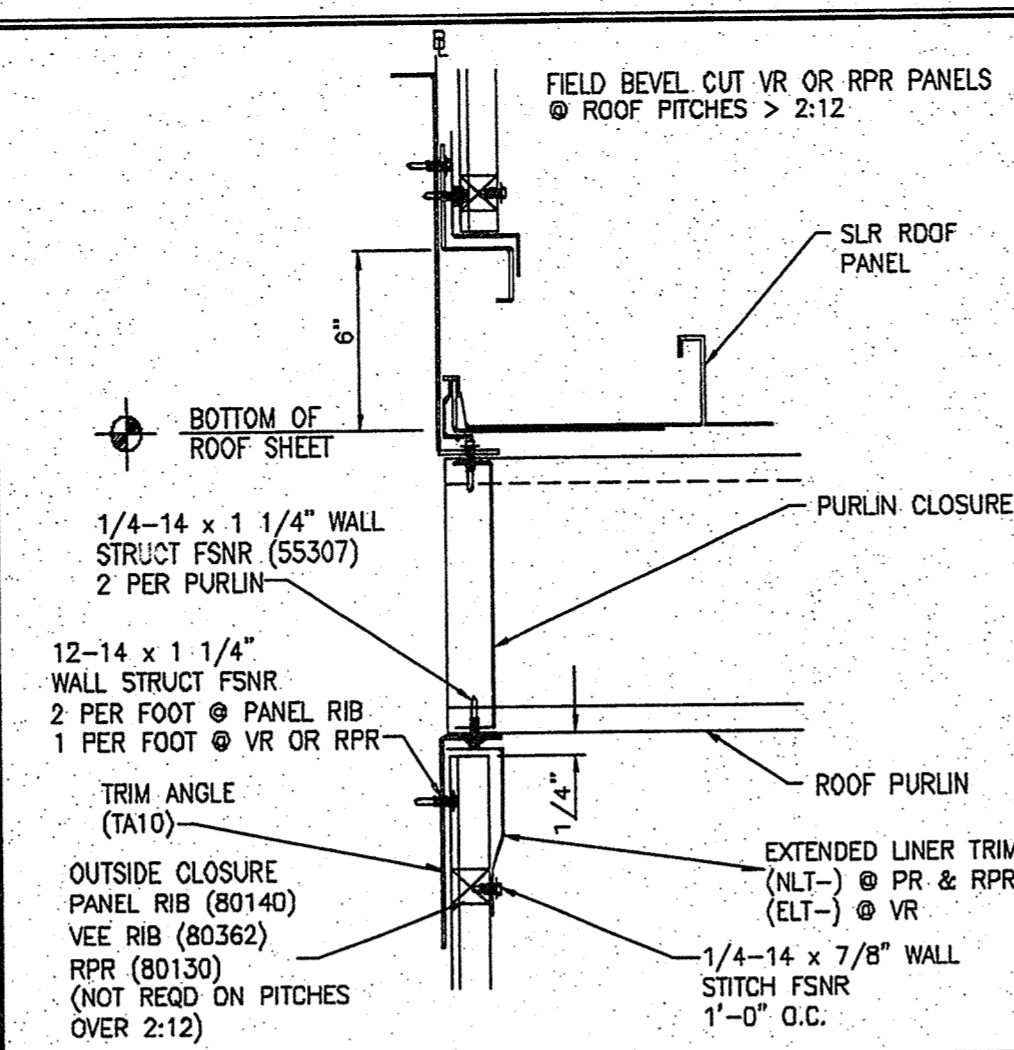


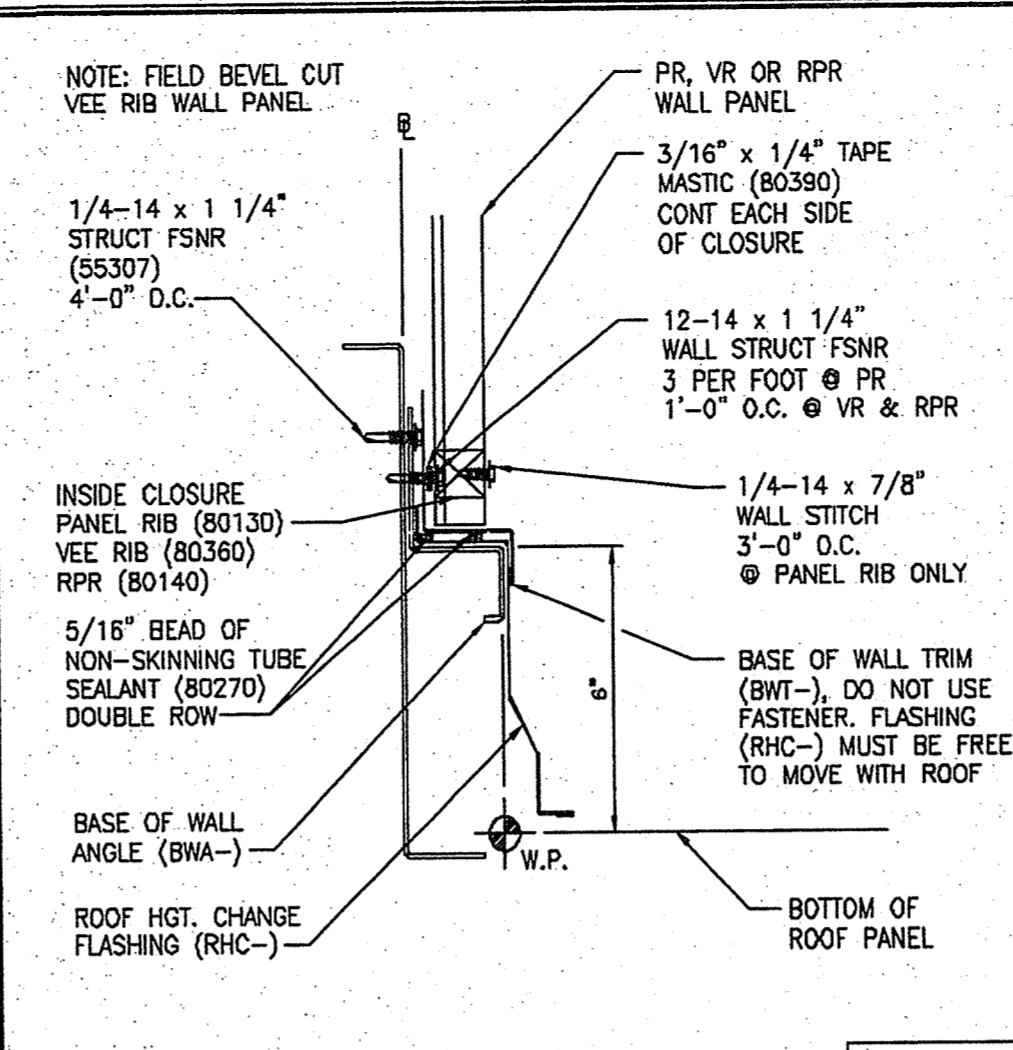
PR, VR & RPR WALL AT EAVE
STANDARD EAVE PURLIN
WC11A1
R 07/31/2007



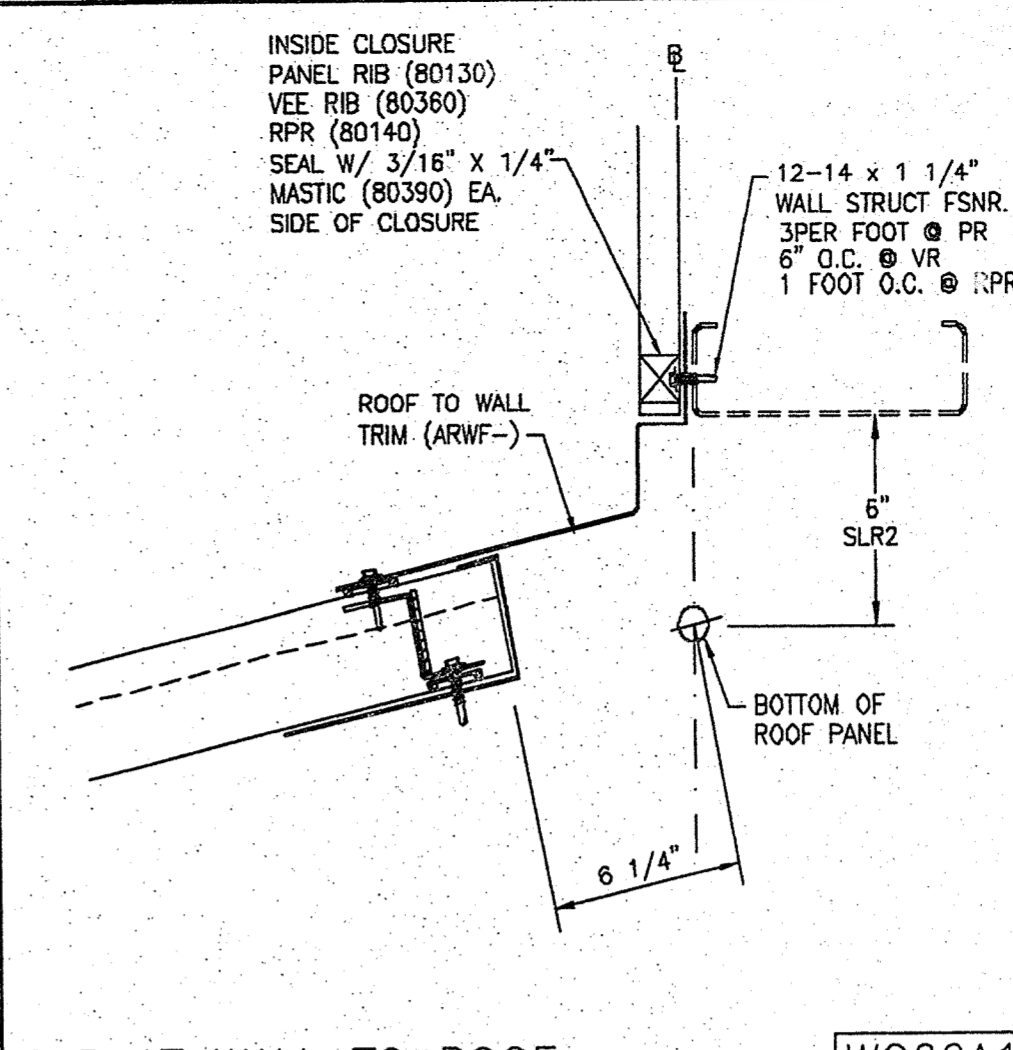
WALL PANEL AT RAKE EXTENSION
PR, VR & RPR WALL WITH SOFFIT (ALL ROOFS)
WC12A1
R 02/02/2007



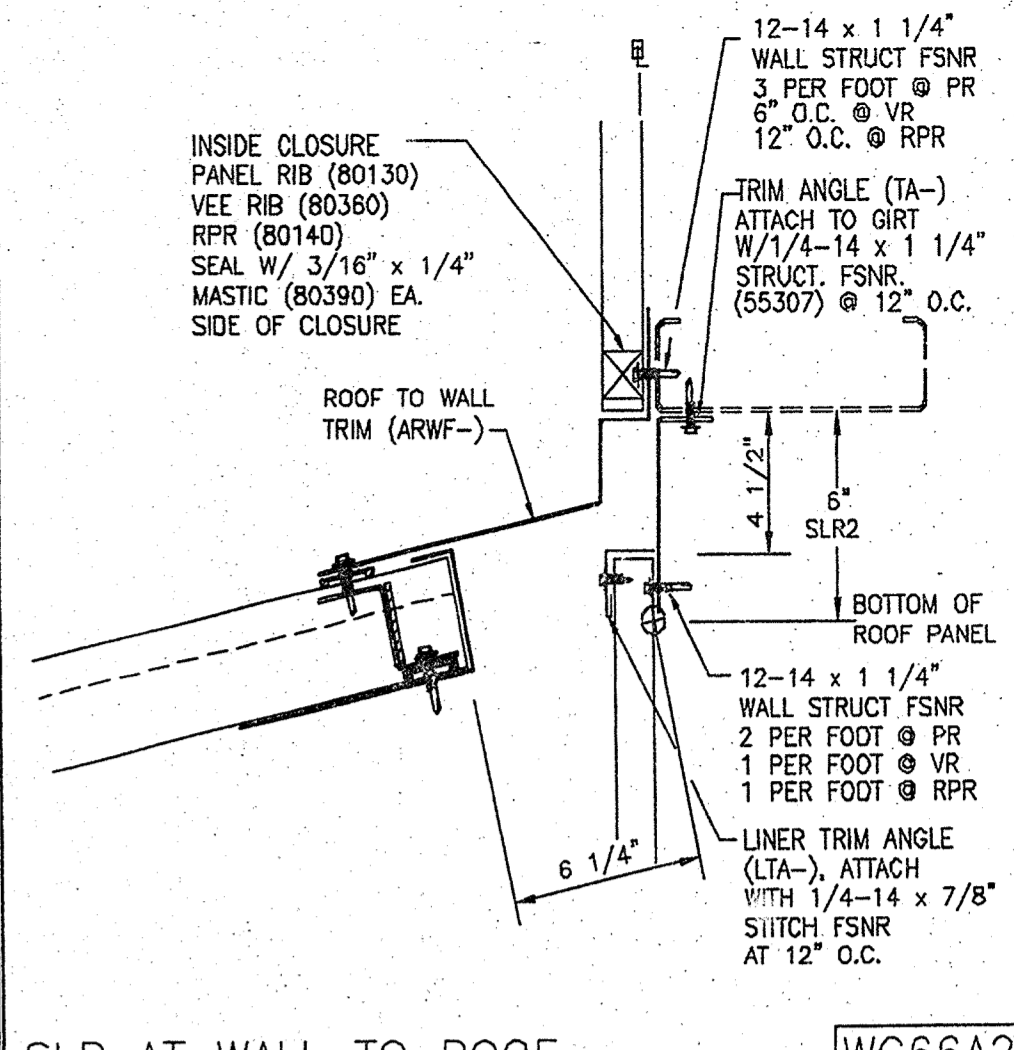
WALL CONN. BELOW RF HT CHG
PR, VR OR RPR WALL WITH SLR ROOF
WC15A4
R 05/31/2005



BASE OF WALL AT RF HT CHANGE
PR, VR OR RPR WALL (NON-ICE DAMMING)
WC52A1
R 05/31/2005



SLR AT WALL TO ROOF
PR, VR & RPR WALL/ OPEN BELOW (NON-ICE DAMMING)
WC66A1
R 03/02/2008



SLR AT WALL TO ROOF
PR, VR & RPR WALL/SHEETED BELOW (NON-ICE DAMMING)
WC66A2
R 03/02/2008

FOR APPROVAL- NOT FOR CONSTRUCTION

THE VP ENGINEER'S SEAL APPLIES ONLY TO THE WORK PRODUCT OF VP AND DESIGN AND PERFORMANCE REQUIREMENTS SPECIFIED BY VP. THE VP ENGINEER'S SEAL DOES NOT APPLY TO THE PERFORMANCE OR DESIGN OF ANY OTHER PRODUCT OR COMPONENT FURNISHED BY VP EXCEPT TO ANY DESIGN OR PERFORMANCE REQUIREMENTS SPECIFIED BY VP.

THIS DRAWING, INCLUDING THE INFORMATION HEREON, REMAINS THE PROPERTY OF VP BUILDINGS. IT IS PROVIDED SOLELY FOR ERECTING THE BUILDING DESCRIBED IN THE APPLICABLE PURCHASE ORDER AND SHALL NOT BE MODIFIED, REPRODUCED OR USED FOR ANY OTHER PURPOSE WITHOUT PRIOR WRITTEN APPROVAL OF VP BUILDINGS. THE GENERAL CONTRACTOR AND/OR ERECTOR IS SOLELY RESPONSIBLE FOR ACCURATE, GOOD QUALITY WORKMANSHIP IN ERECTING THIS BUILDING IN CONFORMANCE WITH THIS DRAWING, DETAILS REFERENCED IN THIS DRAWING, ALL APPLICABLE VP ERECTION GUIDES, AND INDUSTRY STANDARDS PERTAINING TO PROPER ERECTION, INCLUDING THE CORRECT USE OF TEMPORARY BRACING.

VP Buildings			
3200 Players Club Circle Memphis TN 38125			
REV	DATE	BY	DESCRIPTION
NTS			

BUILDING SED'S		VP BUILDINGS		JOBNO	
BUILDER	Broadmoor, LLC	VARCO PRUDEN		08-28914 EP2	
CUSTOMER	John F. Stennis Space Center			DATE	
LOCATION	Stennis Space Center, Mississippi	A Division of Steel Company		2/9/2009	
PROJECT	Riverine and Combatant Craft Operations Facility			DRAWN/CHECK	
BUILDERS PC#		VPC VERSION: 7.1c		MWM	
				PAGE	
				35	