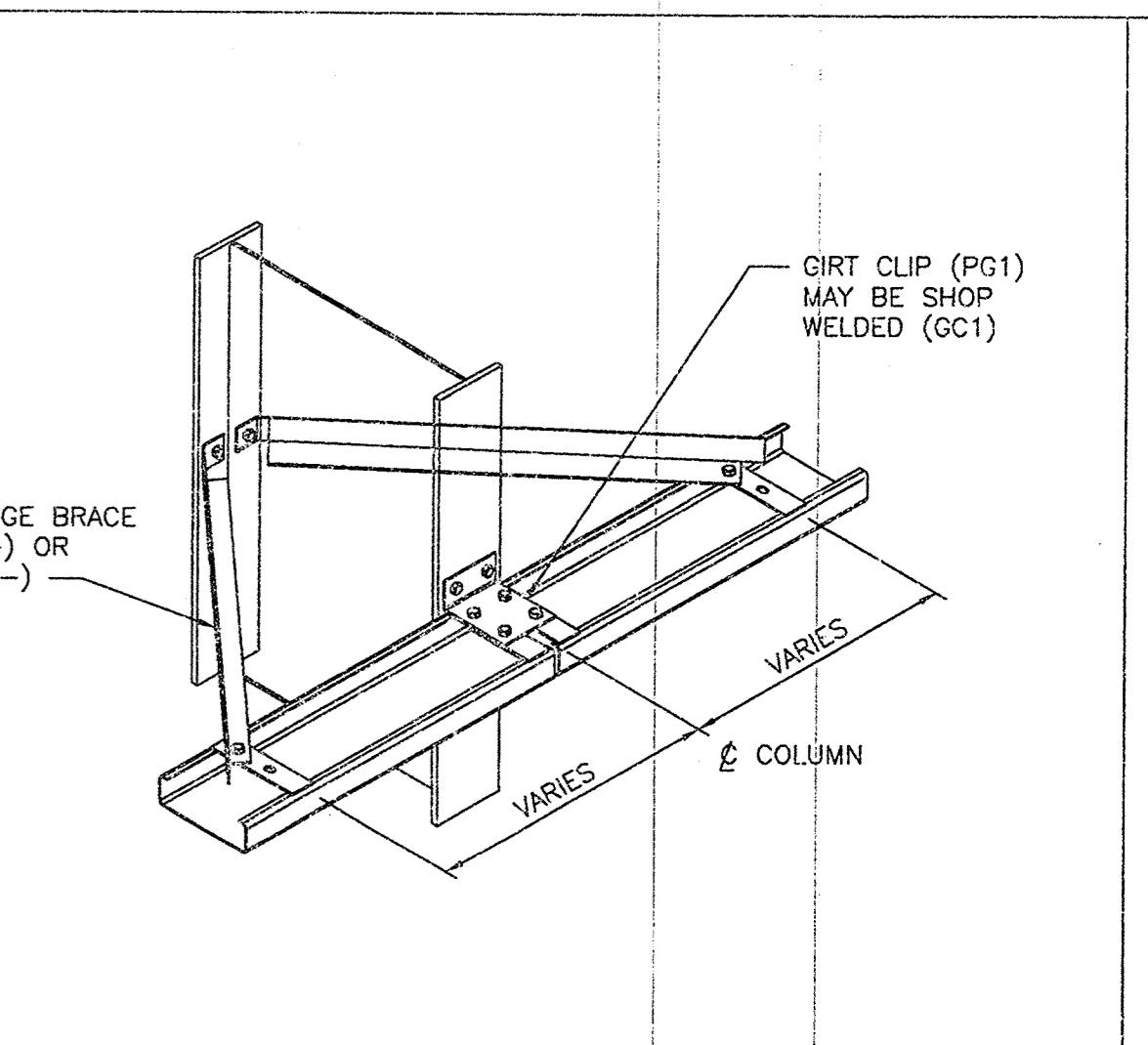
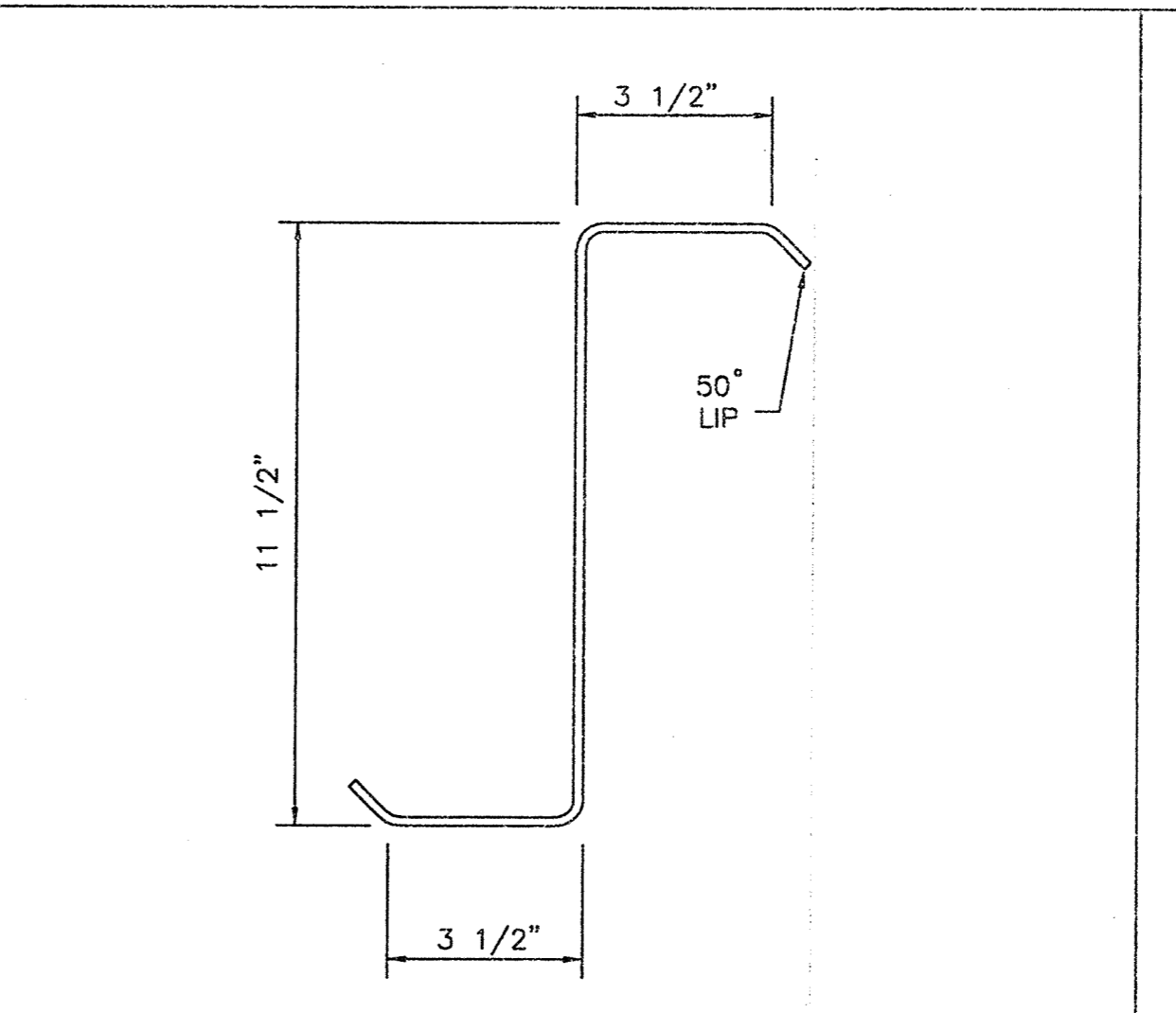
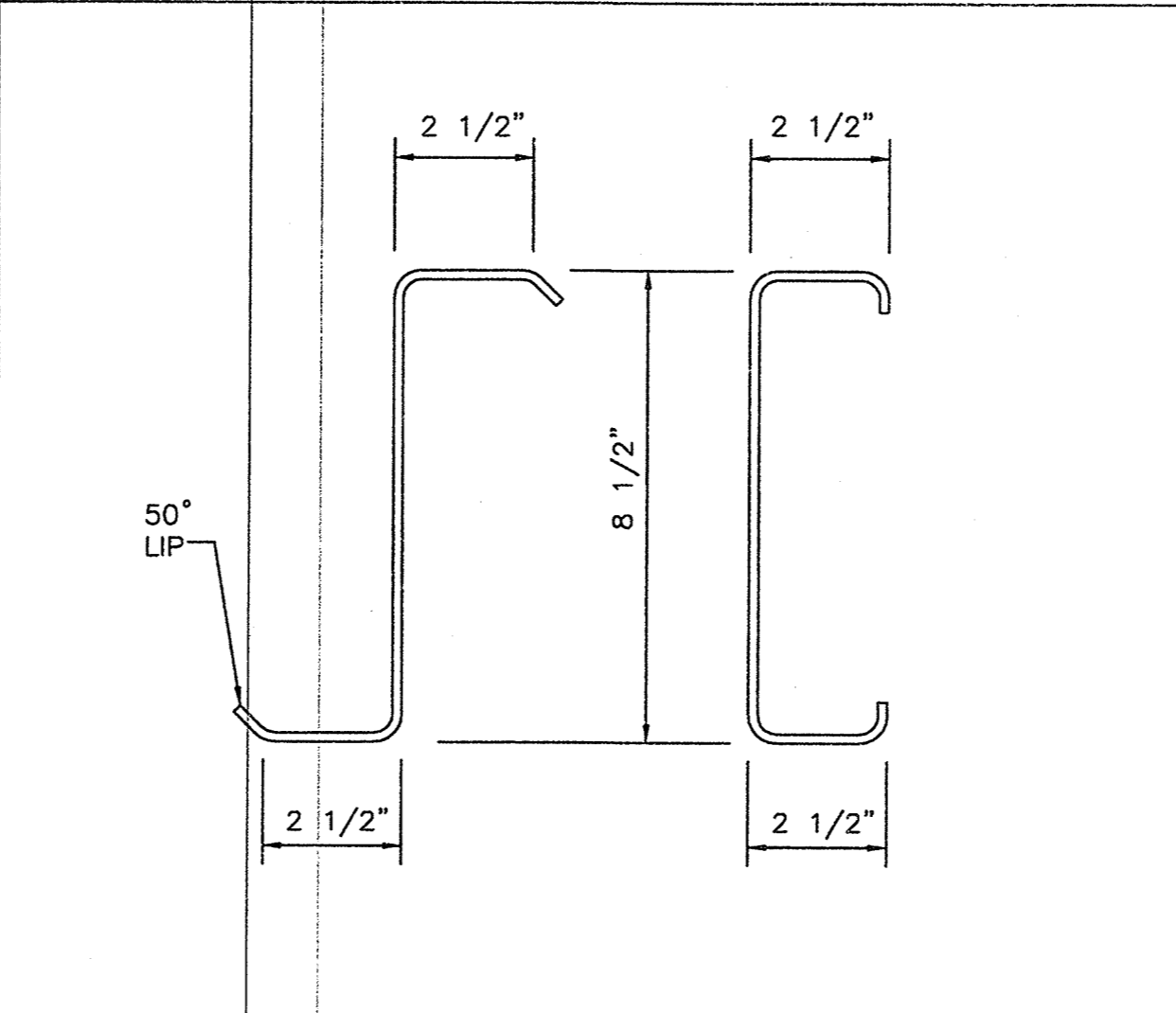
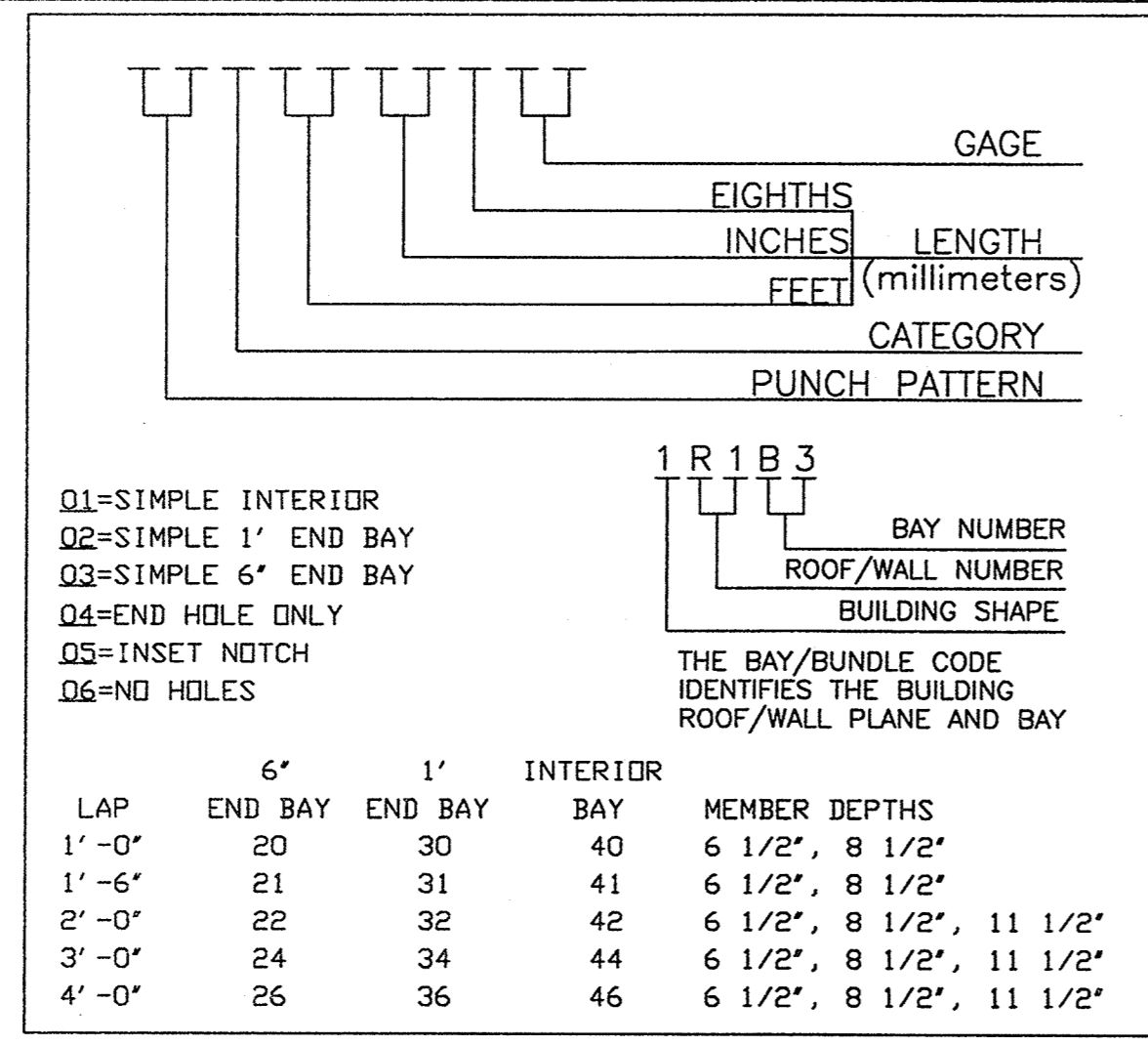


F = FEET I = INCHES E = EIGHTHS PANEL/COVERING W 1 3 1 1 7 2 6 1 K T D * F F I I E G G O C C C LENGTH CODE	G = GAGE O = OPERATION C = FIN/COLOR	CX*** = COLUMN (PLATE) CGX*** = COLUMN (GAGE) WCX*** = COLUMN (HOTROLL)
INSULATION I B 1 3 0 1 0 3 6 0 3 0 W V * F F F I I I I I I E C C LENGTH WIDTH THK CODE		RBX*** = RAFTER (PLATE) BGX*** = RAFTER (GAGE) VRX*** = RAFTER (HOTROLL) TRX*** = TRUSS RAFTER
SECONDARY (STANDARD) O 1 G 1 9 1 1 4 1 7 * * * F F I I E G G LENGTH CODE		ICX*** = INTERIOR COLUMN PCX*** = PIPE COLUMN TCX*** = TUBE COLUMN
SECONDARY (SPECIAL) O 0 1 G 1 9 1 1 4 1 7 * * * F F I I E G G LENGTH CODE		EPX*** = ENDPOST (PLATE) EGX*** = ENDPOST (GAGE)
ROD BRACING O 3 R A 2 5 1 0 I E * * F F I I DIA LENGTH		CBX*** = CANOPY (PLATE) DCCBX*** = CANOPY (GAGE) CBX*** = PIGGYBACK CANOPY



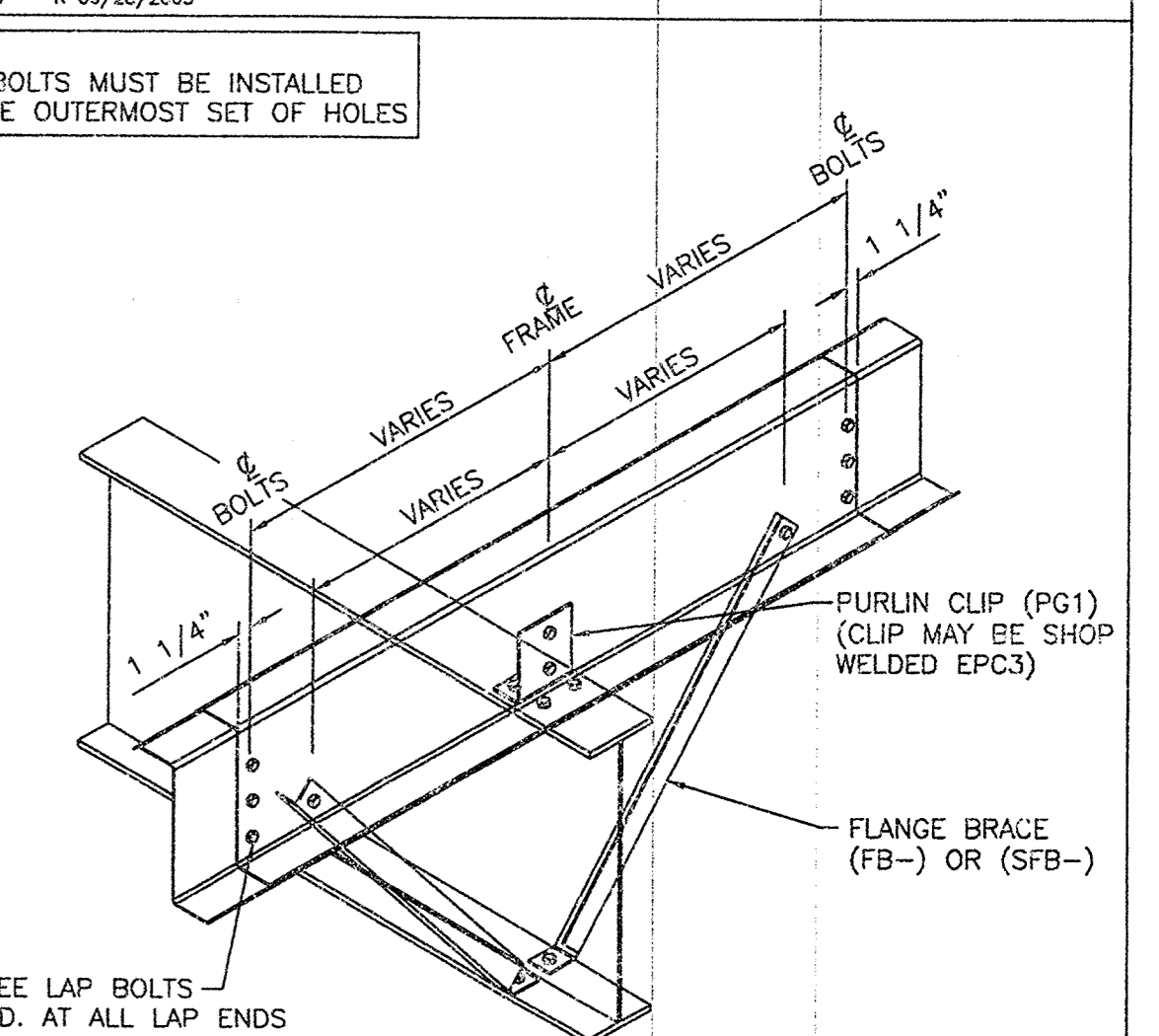
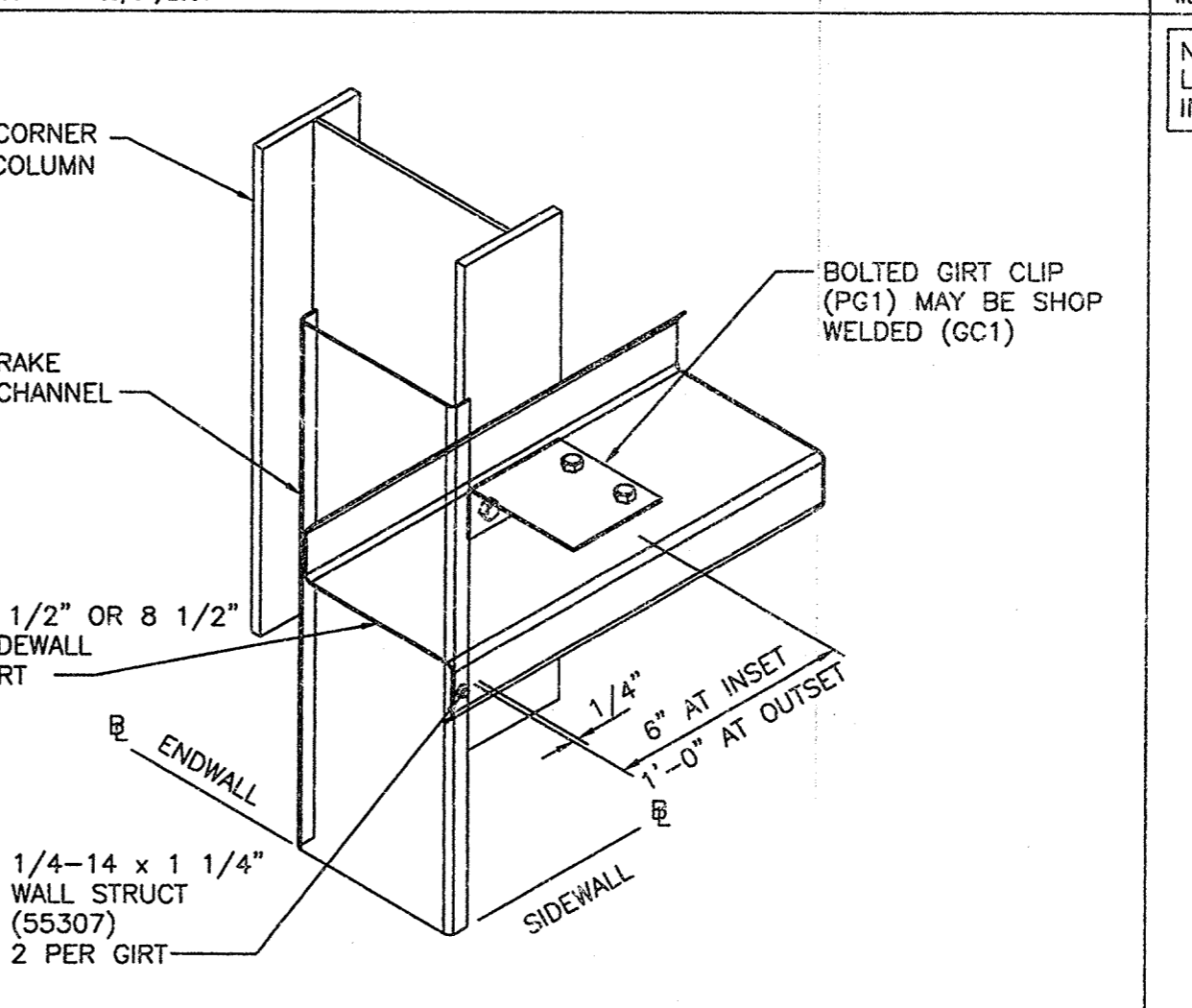
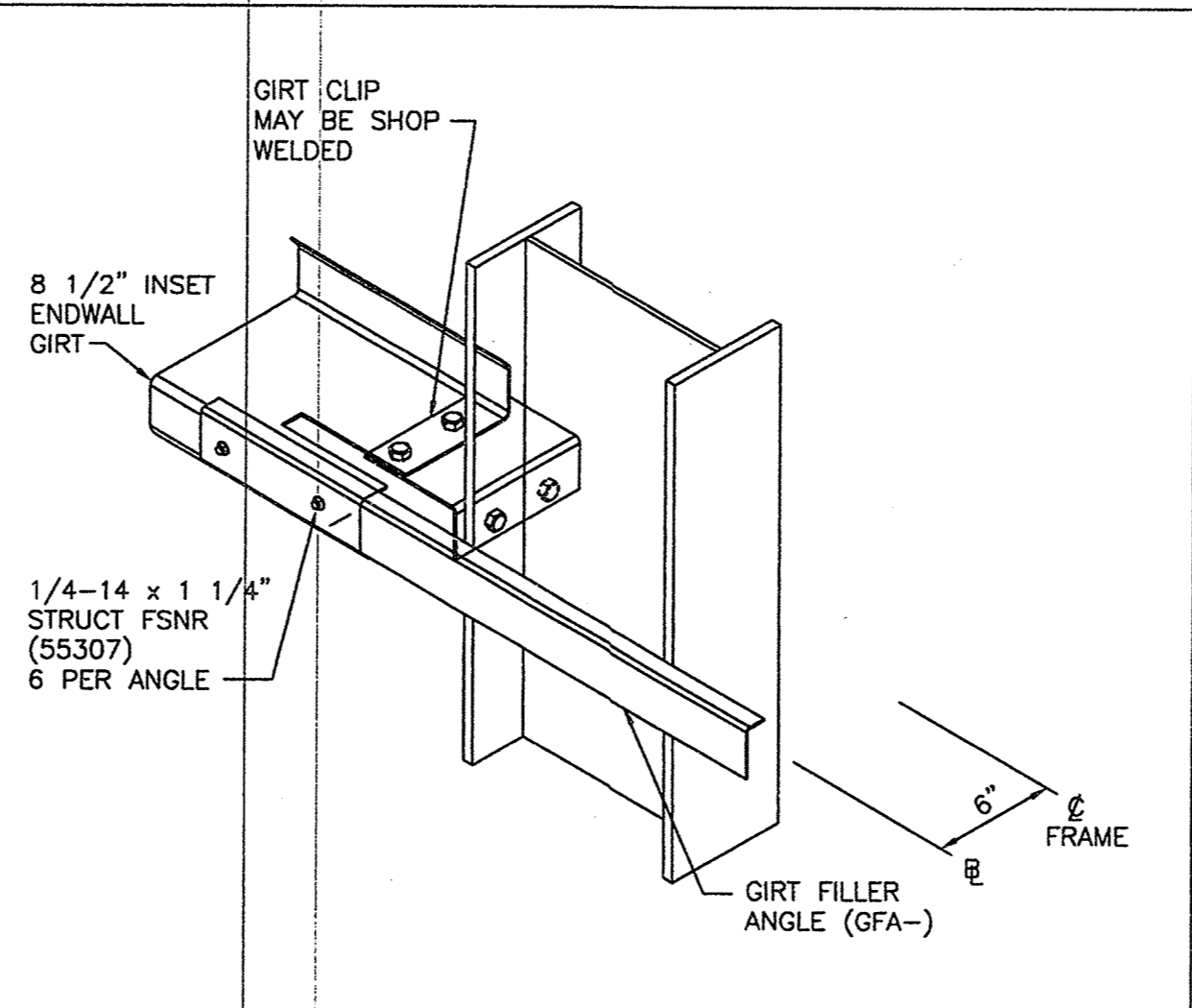
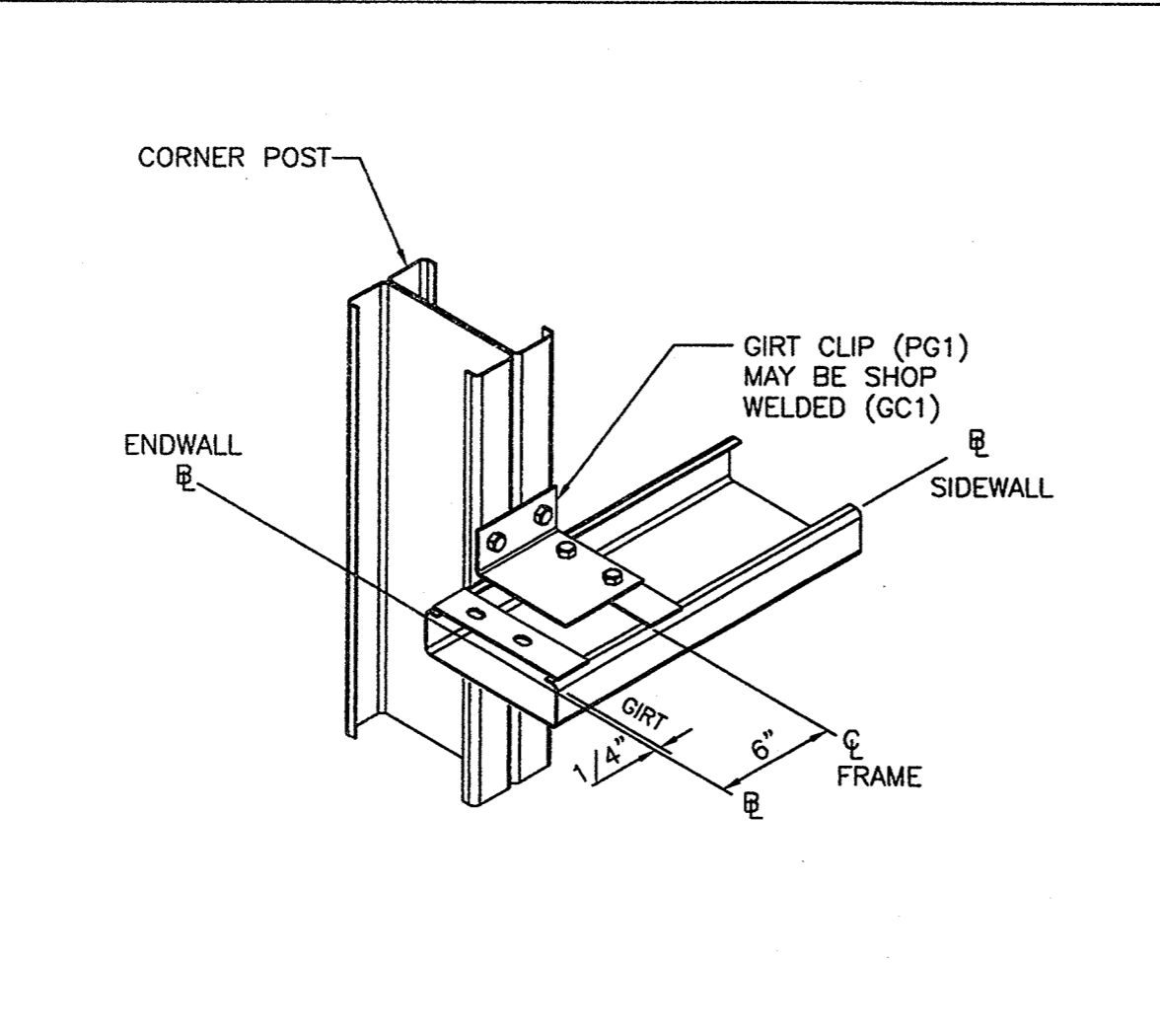
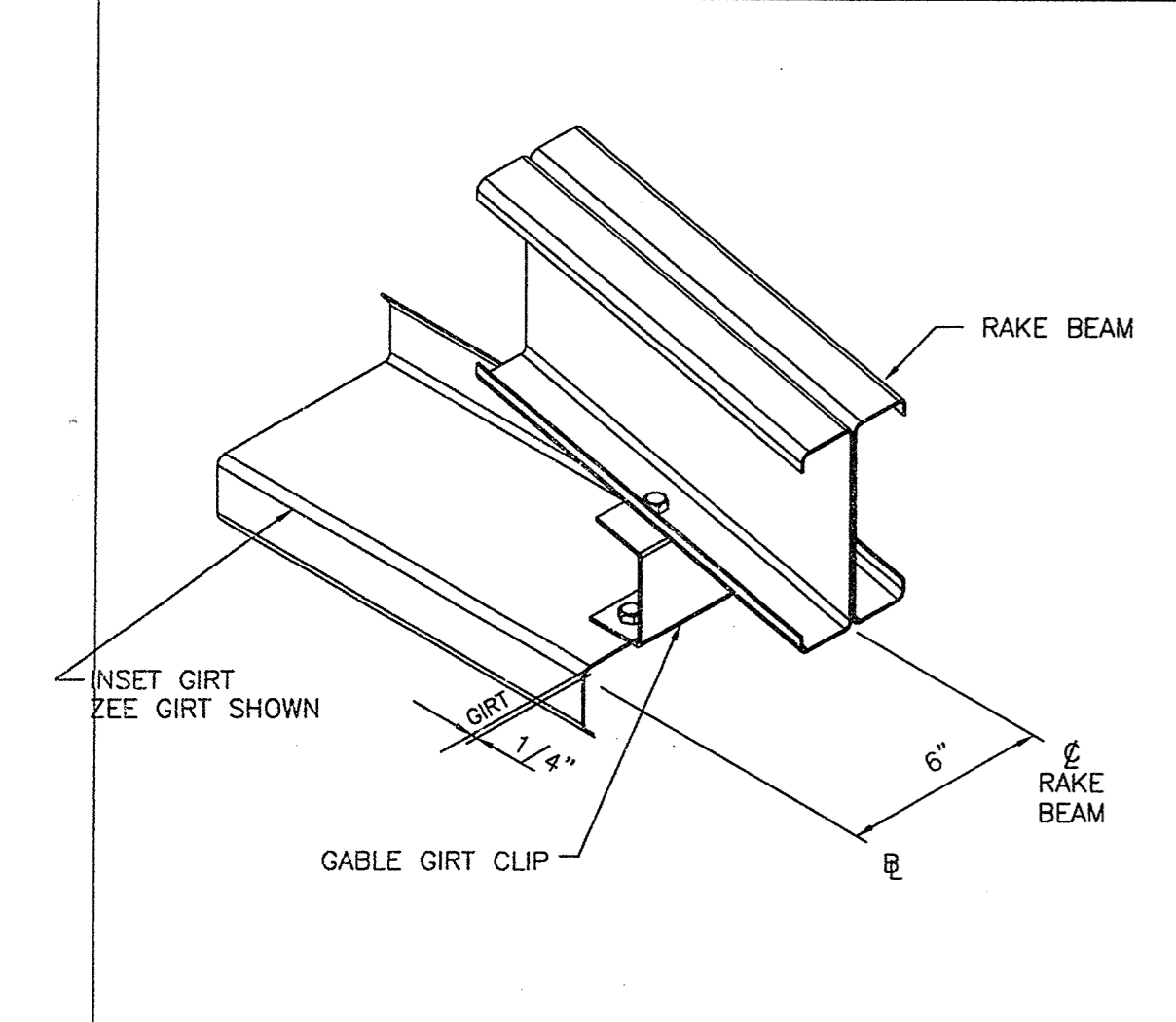
MARK NUMBER KEY EN50A1
COMMON GENERATED MARK NUMBERS

SECONDARY PUNCH PATTERNS EN51A1
COMMON GENERATED MARK NUMBERS

8 1/2 GIRTS / PURLINS EN53A1
COMMON GENERATED MARK NUMBERS

11 1/2 PURLIN EN53C1
COMMON GENERATED MARK NUMBERS

GIRT CONN. AT COLUMN WS01A4
6 1/2" & 8 1/2" OUTSET PLATE GLASS HEADER



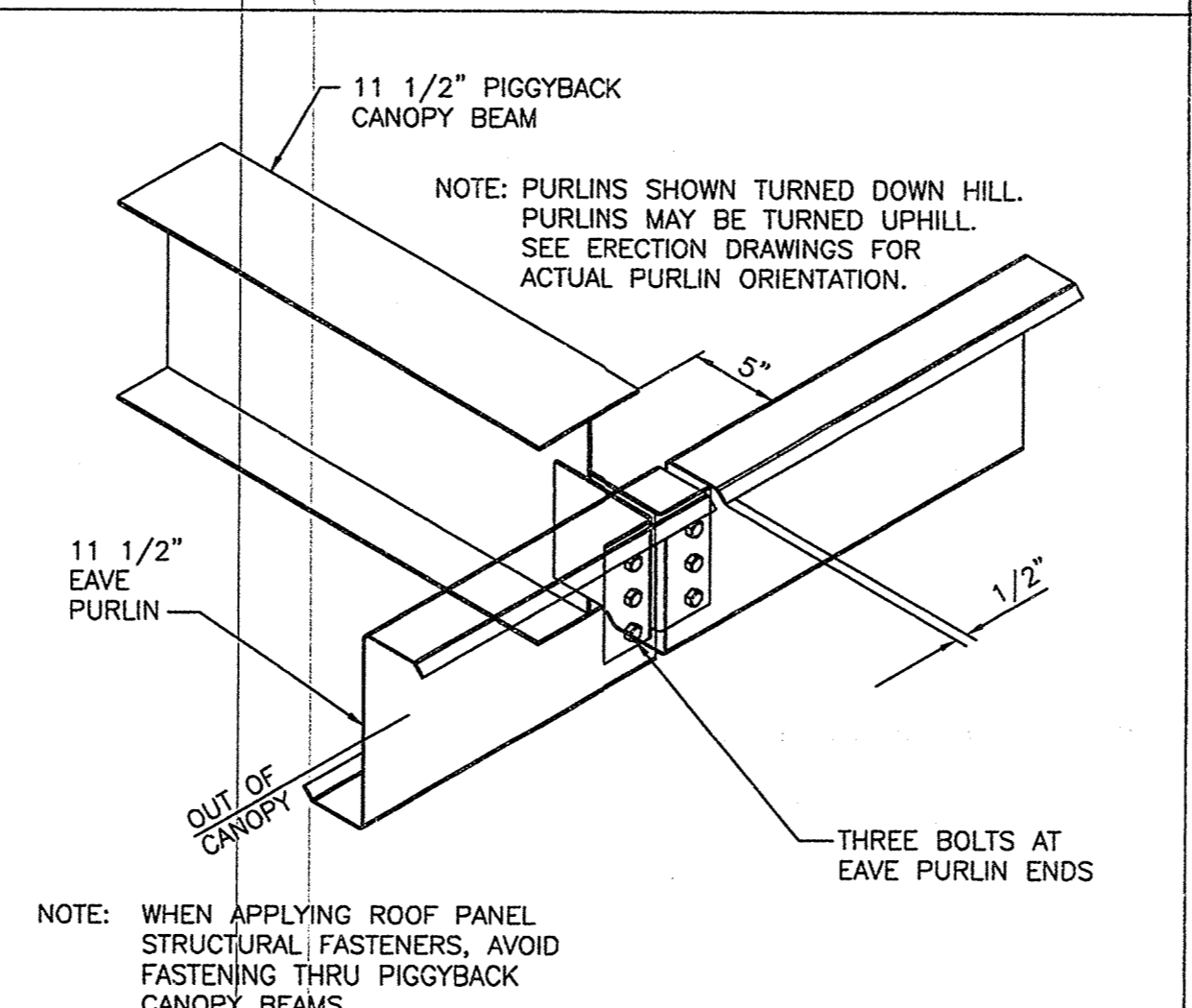
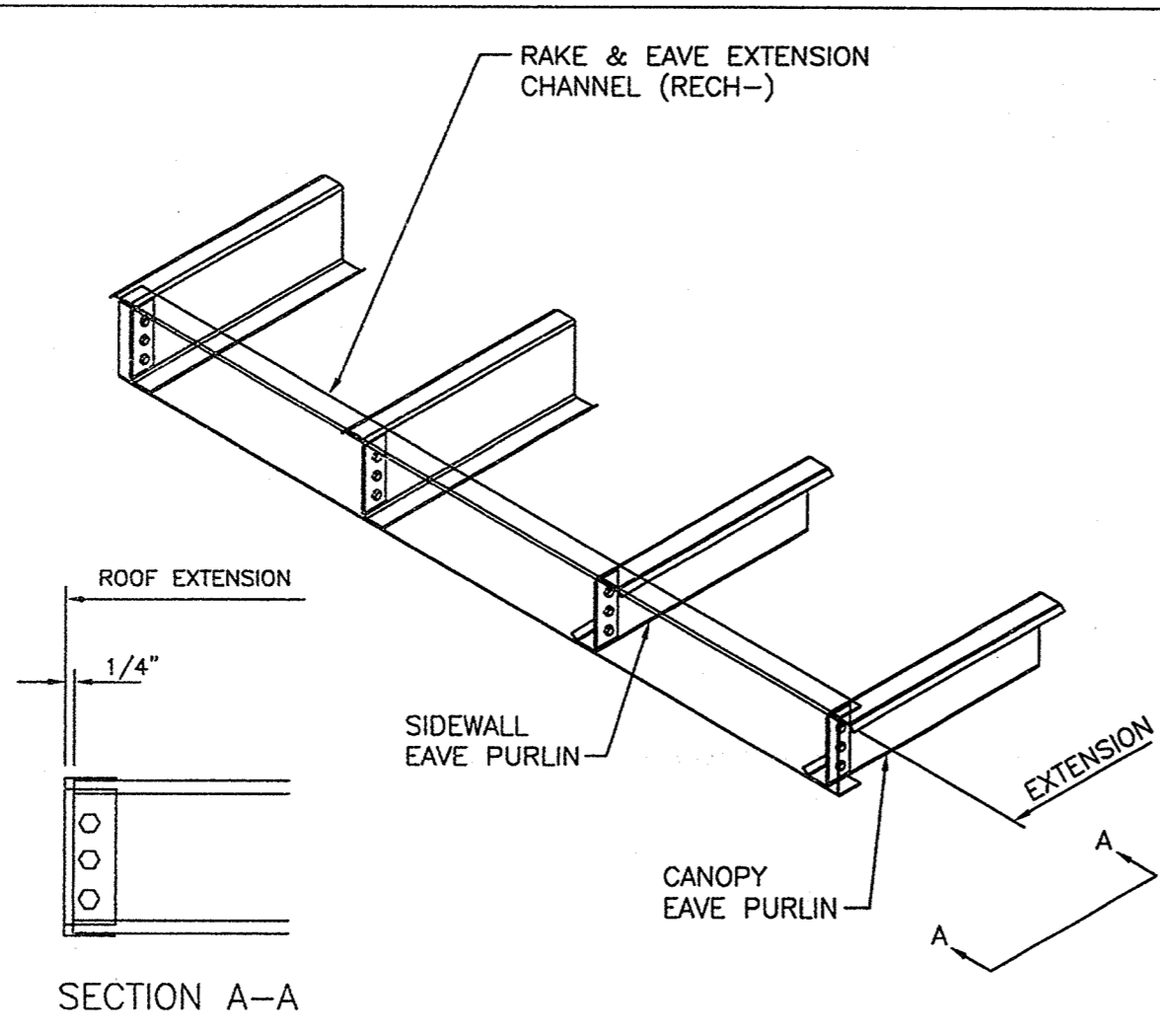
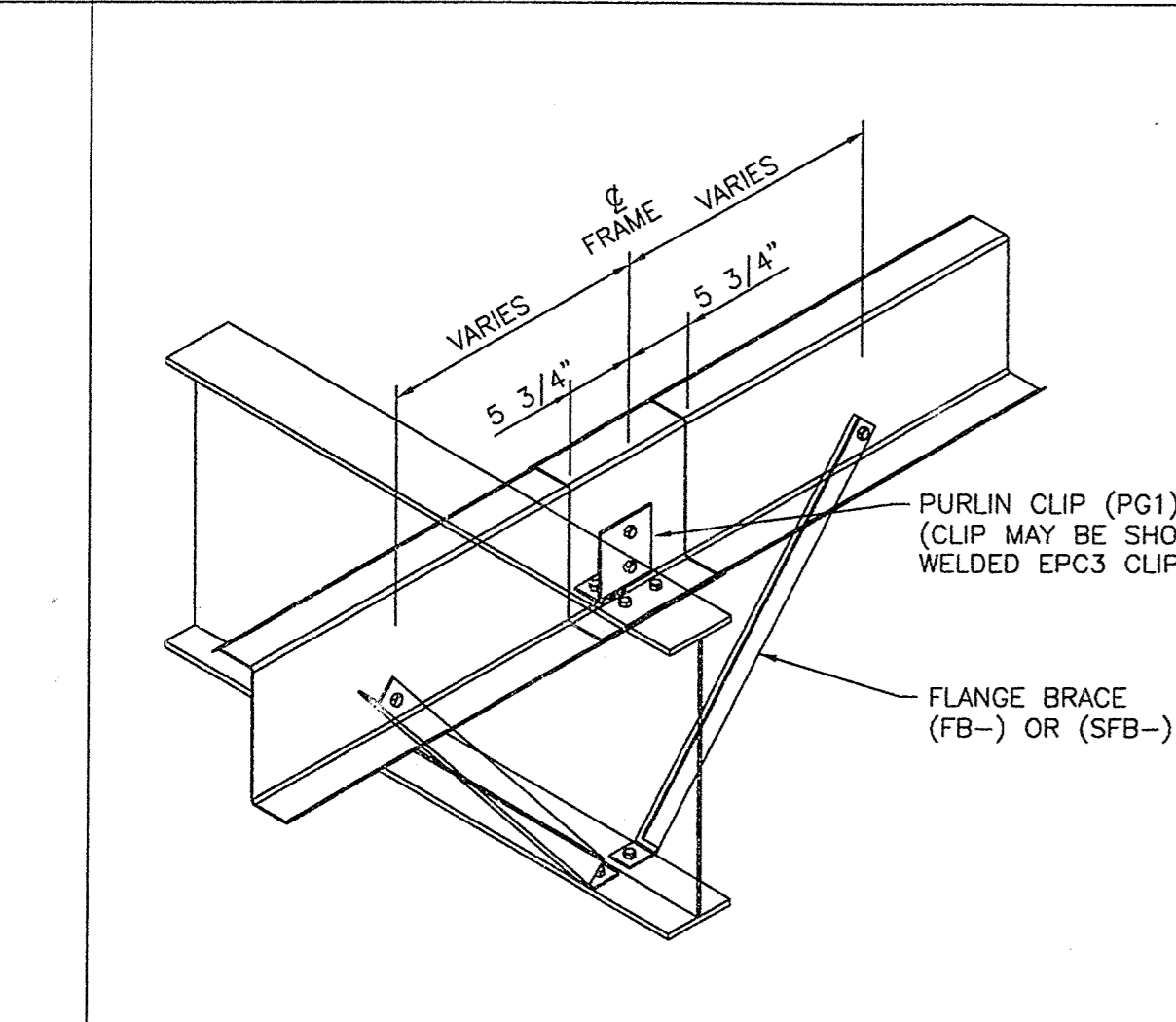
GABLE GIRT CONN. TO RAKE BEAM WS04X2
6 1/2" & 8 1/2" INSET GIRTS

GIRT CONN. AT CORNER POST WS10X4
8 1/2" PGH AT SW

GIRT CONN. AT CORNER COLUMN WS10X2
8 1/2" INSET GIRT AT EW

GIRT CONN. AT CORNER COLUMN WS12D6
OPEN EW, ANY OUTSET GIRT AT SW

PURLINS AT INTERIOR FRAME RS01D1
11 1/2" CONTINUOUS PURLINS



PURLINS AT INTERIOR FRAME RS01G1
11 1/2" SIMPLE PURLINS

PIGGYBACK CANOPY FRAMING RS10E3
RAKE & EAVE EXTENSION CHANNEL 11 1/2" PURLIN

EAVE PURLIN TO P.B. CANOPY BM RS11X4
11 1/2" PURLIN (INTERIOR FRM)

THE VP ENGINEER'S SEAL APPLIES ONLY TO THE WORK PRODUCT OF VP AND DESIGN AND PERFORMANCE REQUIREMENTS SPECIFIED BY VP. THE VP ENGINEER'S SEAL DOES NOT APPLY TO THE PERFORMANCE OR DESIGN OF ANY OTHER PRODUCT OR COMPONENT FURNISHED BY VP EXCEPT TO ANY DESIGN OR PERFORMANCE REQUIREMENTS SPECIFIED BY VP.

THIS DRAWING, INCLUDING THE INFORMATION HEREON, REMAINS THE PROPERTY OF VP BUILDINGS. IT IS PROVIDED SOLELY FOR ERECTING THE BUILDING DESCRIBED IN THE APPLICABLE PURCHASE ORDER AND SHALL NOT BE MODIFIED, REPRODUCED OR USED FOR ANY OTHER PURPOSE WITHOUT PRIOR WRITTEN APPROVAL OF VP BUILDINGS. THE GENERAL CONTRACTOR AND/OR ERECTOR IS SOLELY RESPONSIBLE FOR ACCURATE, GOOD QUALITY WORKMANSHIP IN ERECTING THIS BUILDING IN CONFORMANCE WITH THIS DRAWING, DETAILS REFERENCED IN THIS DRAWING, ALL APPLICABLE VP ERECTION GUIDES, AND INDUSTRY STANDARDS PERTAINING TO PROPER ERECTION, INCLUDING THE PROPER USE OF EQUIPMENT.

REV	DATE	BY	DESCRIPTION

VP Buildings, Inc.
3200 Players Club Circle Memphis TN 38125

DETAILS #3

BUILDER	Broadmoor, LLC	JOBN0	08-28914-EP2
CUSTOMER	John F. Stennis Space Center	DATE	4/21/09
LOCATION	Stennis Space Center, Mississippi	DRAWN/CHECK	ODN/ODN
PROJECT	Riverine and Combatant Craft		

FOR CONSTRUCTION

