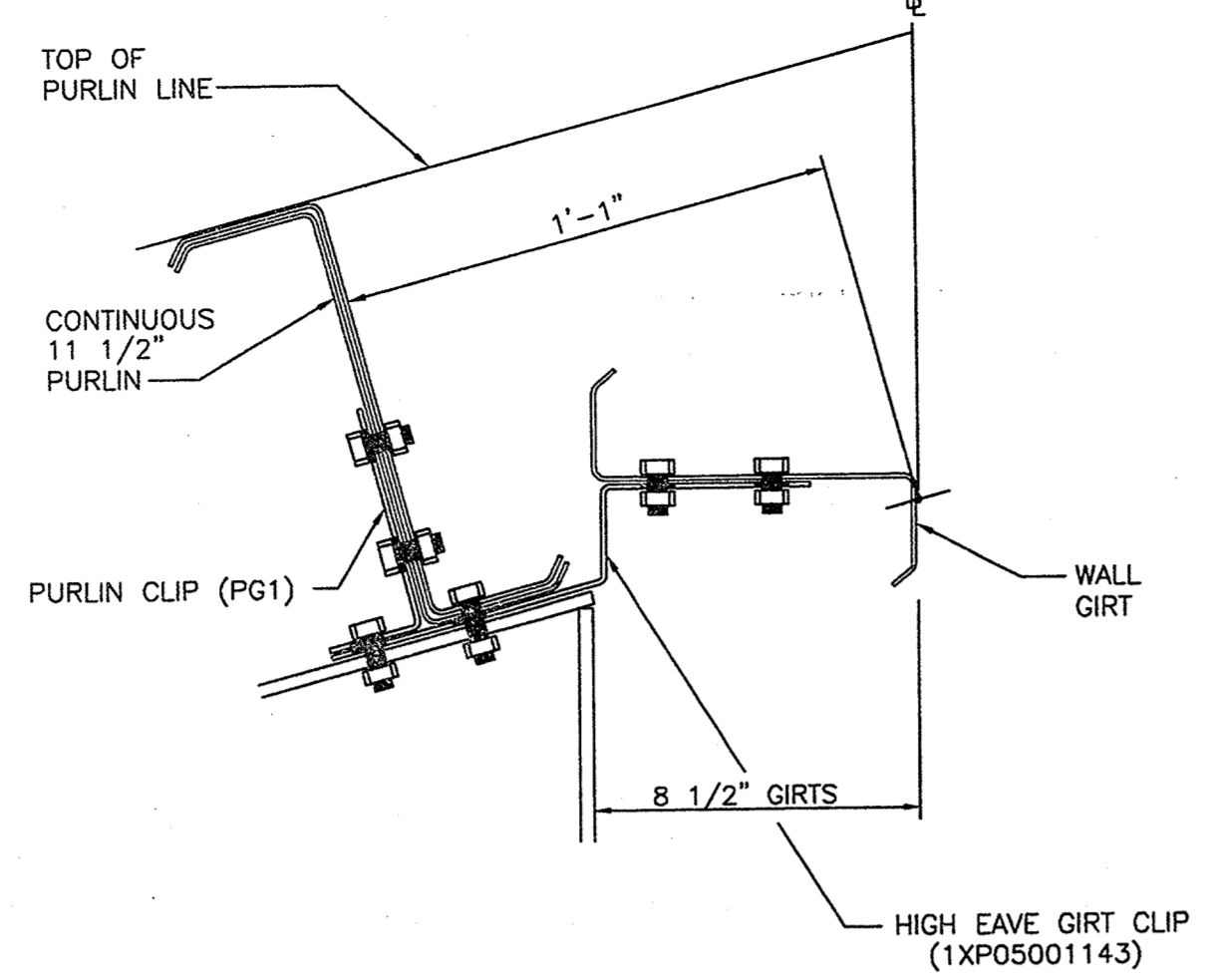
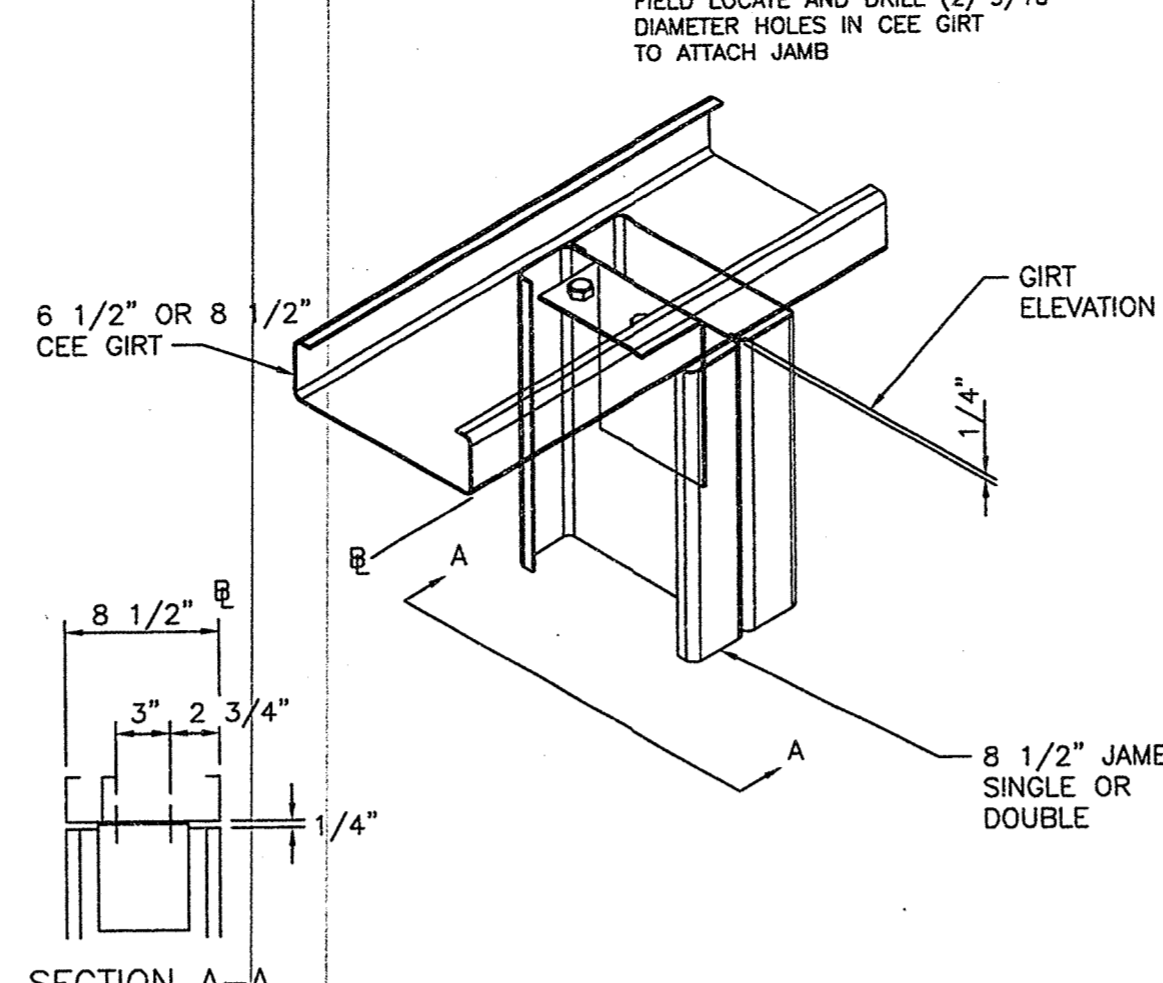


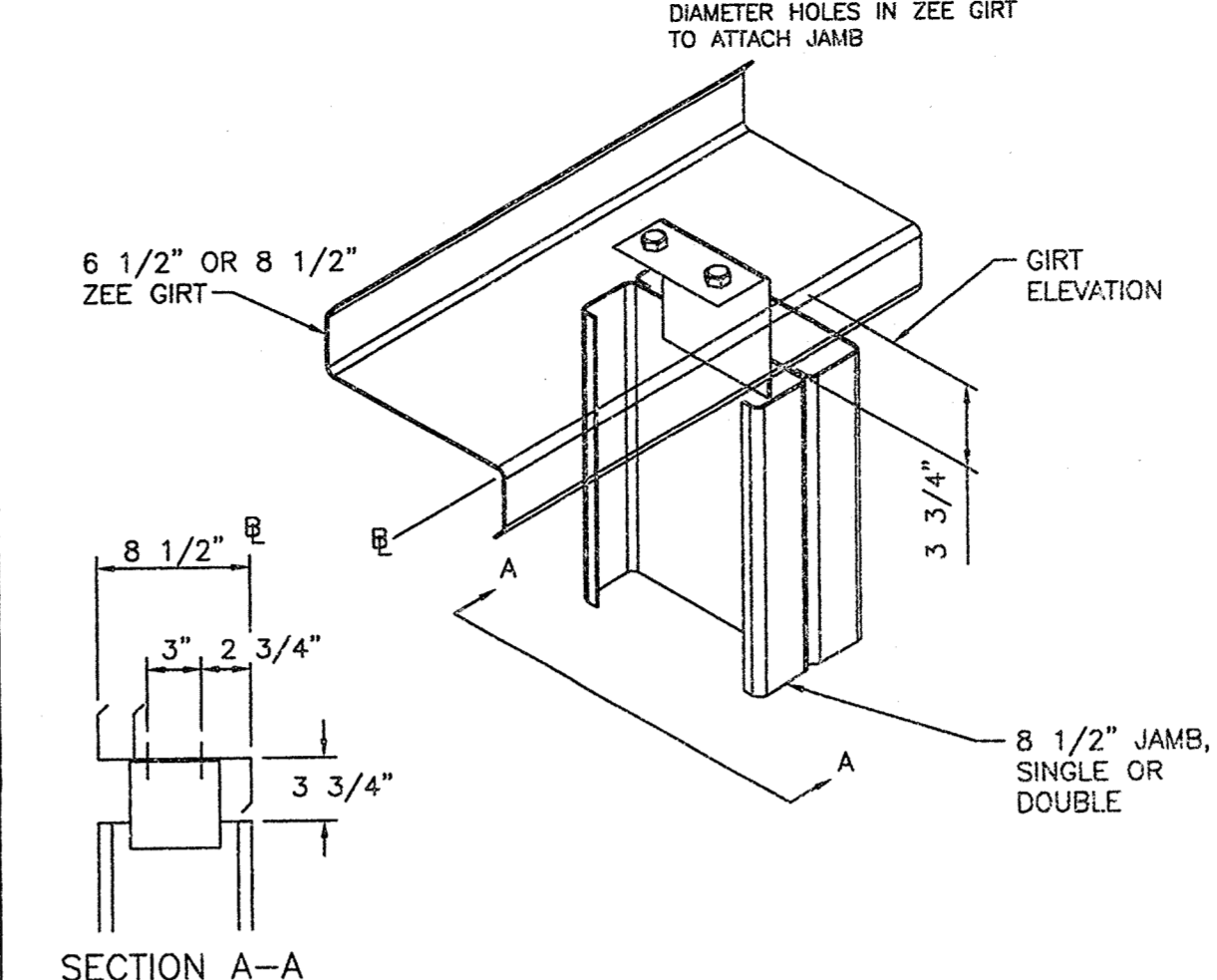
EAVE PURLIN TO P.B. CANOPY BM RS11G5  
 11 1/2" PURLIN (EAVE PURLIN @ B.L.)  
 RS11G5V6 R 08/21/2007



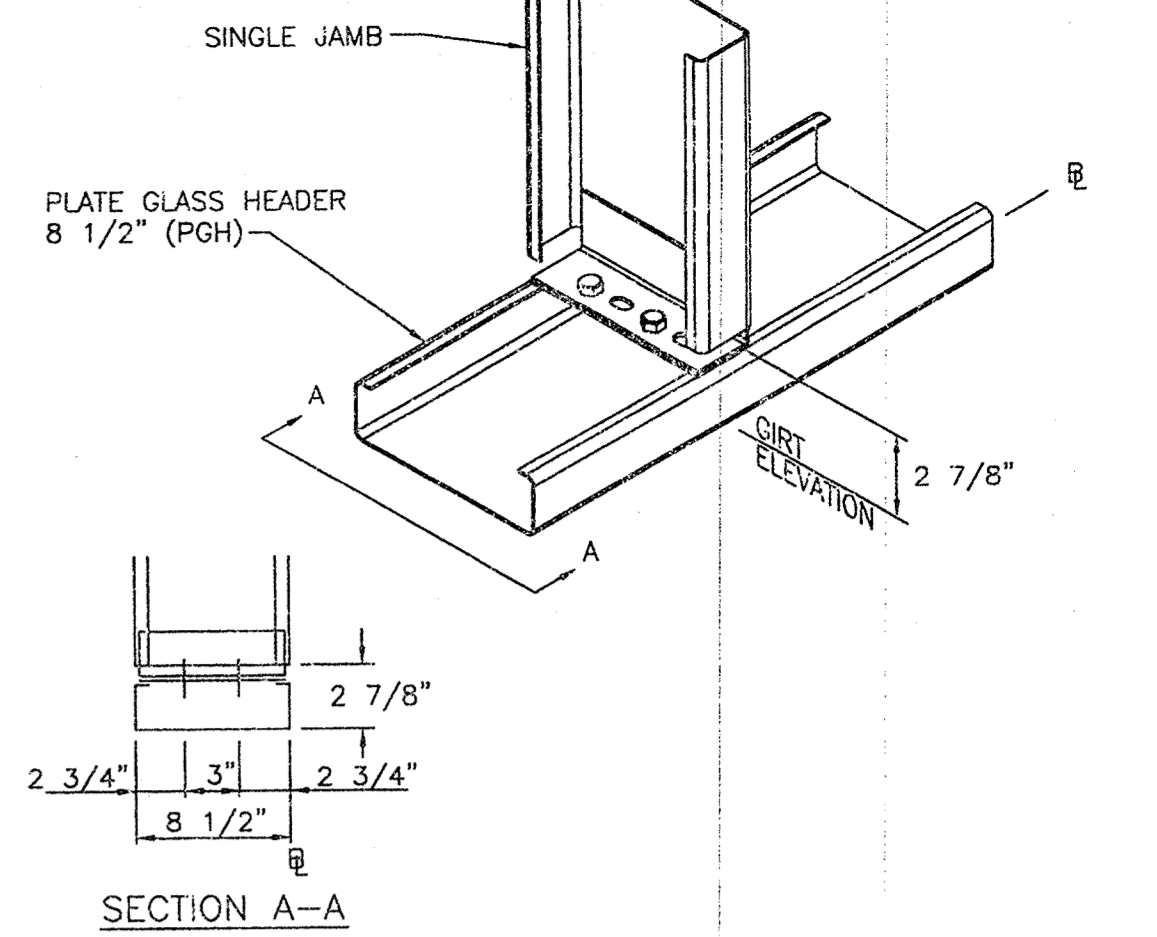
SLR HIGH EAVE PURLIN (11 1/2") RS15X1  
 OUTSET GIRTS



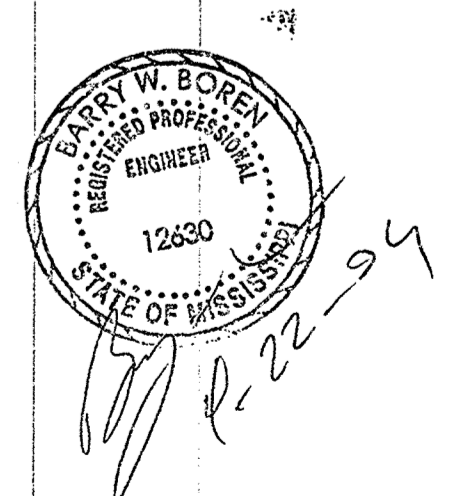
JAMB TO GIRT WS20A1  
 8 1/2" JAMB, ANY CEE GIRT  
 WS20A1V6 R 06/06/2006



JAMB TO GIRT WS20A2  
 8 1/2" JAMB, ANY ZEE GIRT  
 WS20A2V7 R 06/06/2006



JAMB BASE TO GIRT WS20XC  
 8 1/2" JAMB AND PLATE GLASS HEADER



FOR CONSTRUCTION

THE VP ENGINEER'S SEAL APPLIES ONLY TO THE WORK PRODUCT OF VP AND DESIGN AND PERFORMANCE REQUIREMENTS SPECIFIED BY VP. THE VP ENGINEER'S SEAL DOES NOT APPLY TO THE PERFORMANCE OR DESIGN OF ANY OTHER PRODUCT OR COMPONENT FURNISHED BY VP EXCEPT TO ANY DESIGN OR PERFORMANCE REQUIREMENTS

THIS DRAWING, INCLUDING THE INFORMATION HEREON, REMAINS THE PROPERTY OF VP BUILDINGS. IT IS PROVIDED SOLELY FOR ERECTING THE BUILDING DESCRIBED IN THE APPLICABLE PURCHASE ORDER AND SHALL NOT BE MODIFIED, REPRODUCED OR USED FOR ANY OTHER PURPOSE WITHOUT PRIOR WRITTEN APPROVAL OF VP BUILDINGS. THE GENERAL CONTRACTOR AND/OR ERECTOR IS SOLELY RESPONSIBLE FOR ACCURATE, GOOD QUALITY WORKMANSHIP IN ERECTING THIS BUILDING IN CONFORMANCE WITH THIS DRAWING, DETAILS REFERENCED IN THIS DRAWING, ALL APPLICABLE VP ERECTION GUIDES, AND INDUSTRY STANDARDS PERTAINING TO PROPER

VP Buildings, Inc. 3200 Players Club Circle Memphis TN 38125			
REV	DATE	BY	DESCRIPTION

DETAILS #4		JOBNO 08-28914-EP2	
BUILDER	Broadmoor, LLC	DATE	4/21/09
CUSTOMER	John F. Stennis Space Center	DRAWN/CHECK	ODN/ODN
LOCATION	Stennis Space Center, Mississippi	PAGE	22 OF 22
PROJECT	Riverine and Combatant Craft Operations Facility (Maintenance Building)		

