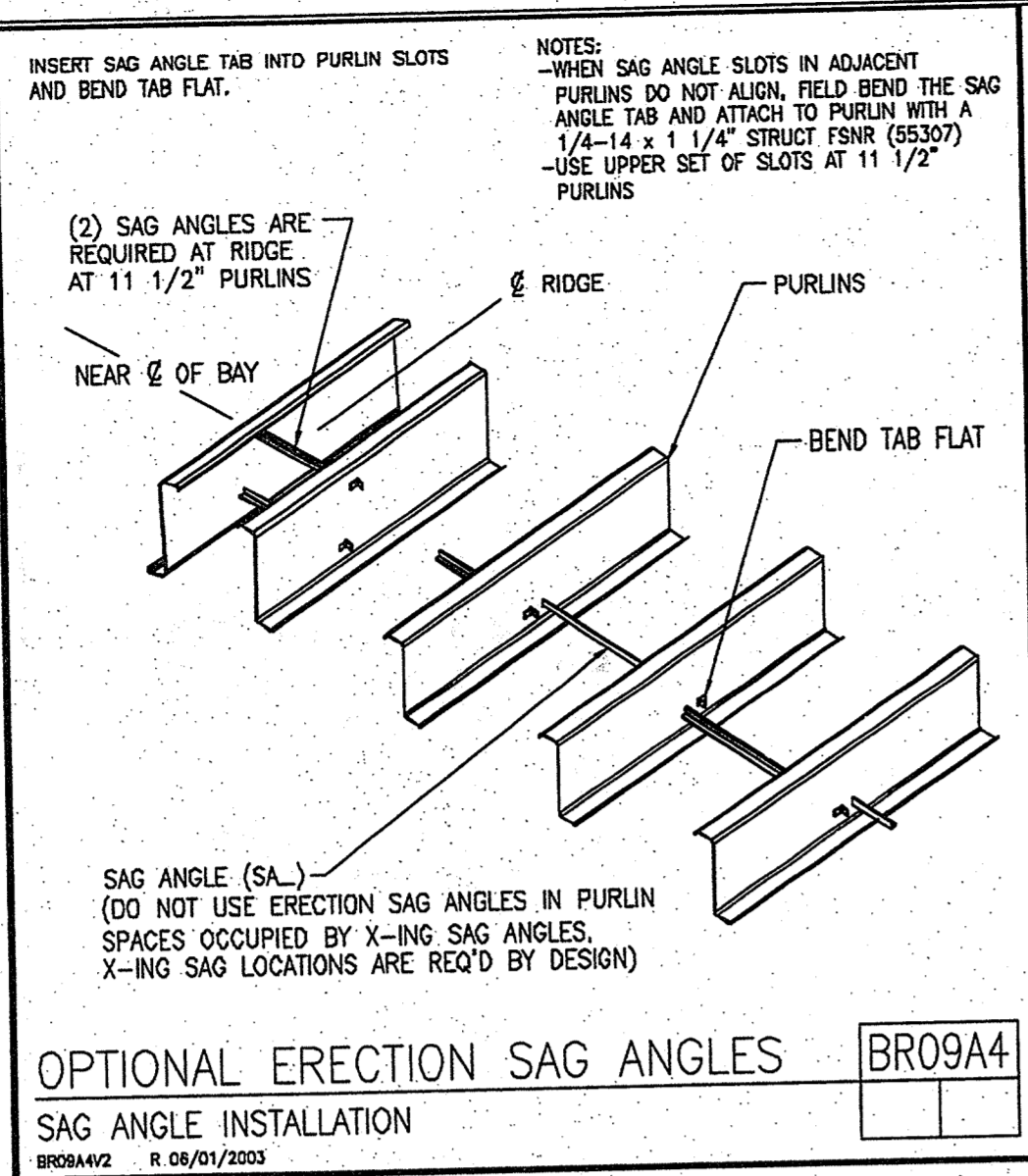
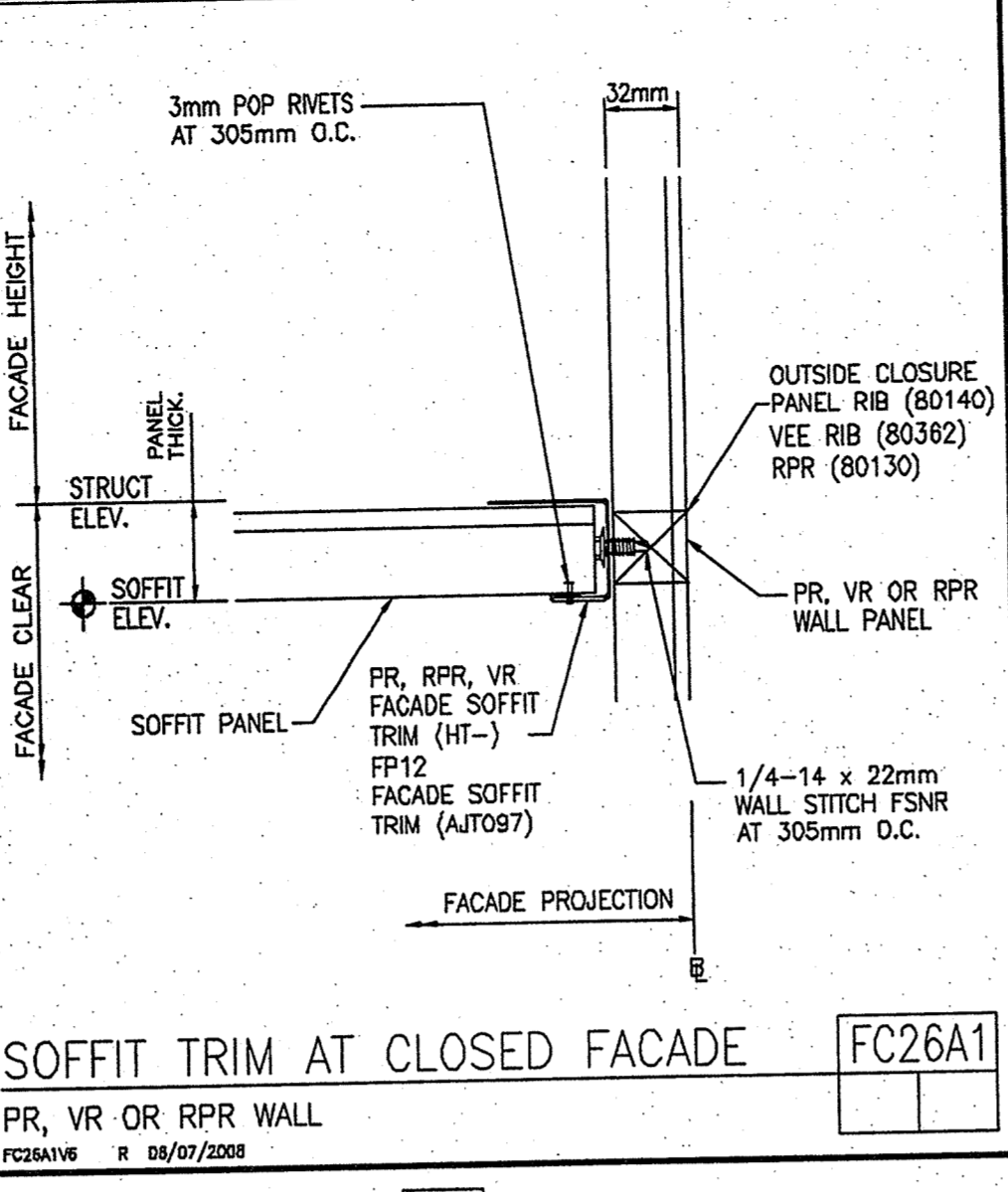


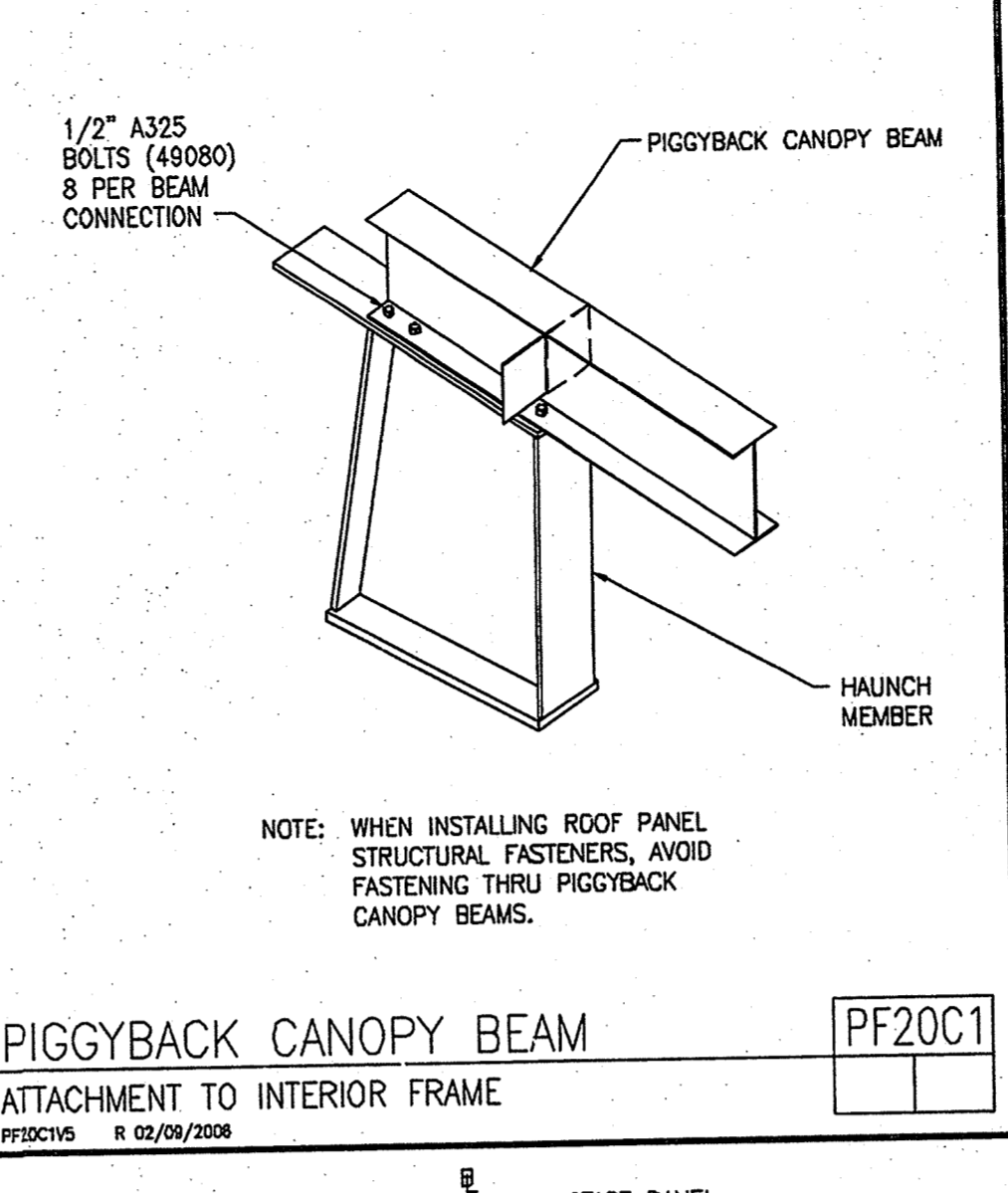
TYPICAL FLANGE BRACE CONNECTIONS **BR06BD**



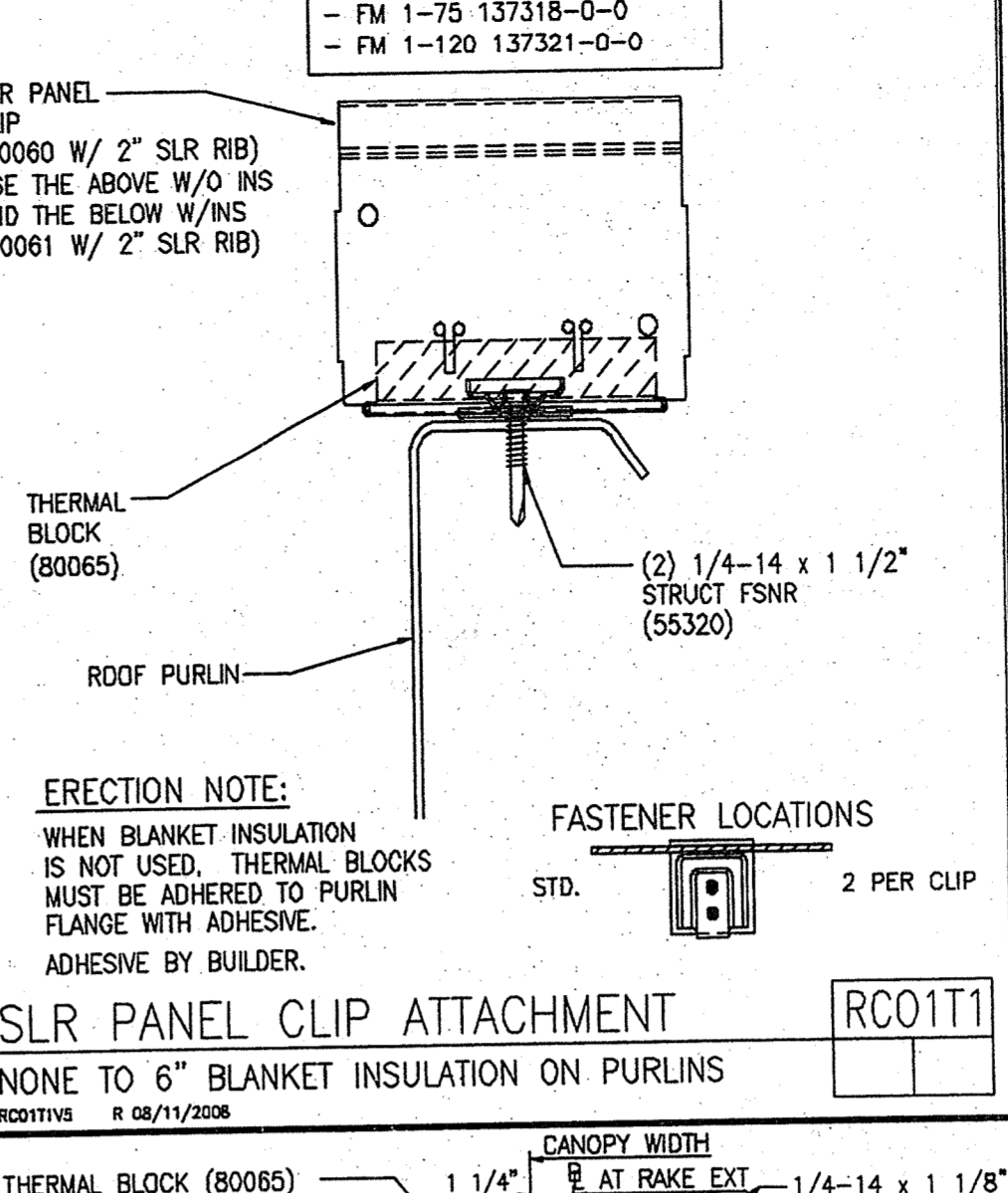
OPTIONAL ERECTION SAG ANGLES **BR09A4**



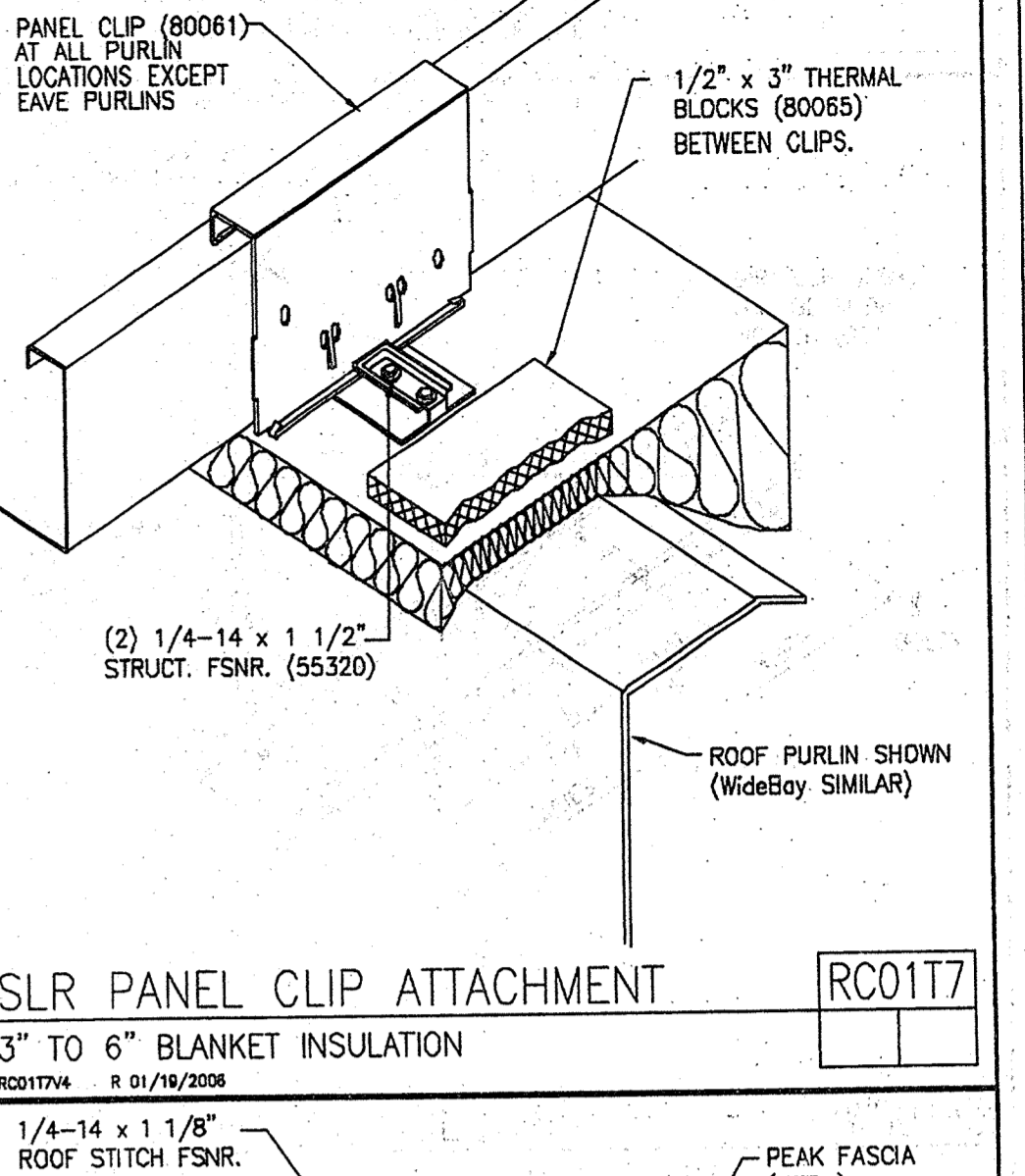
SOFFIT TRIM AT CLOSED FACADE **FC26A1**



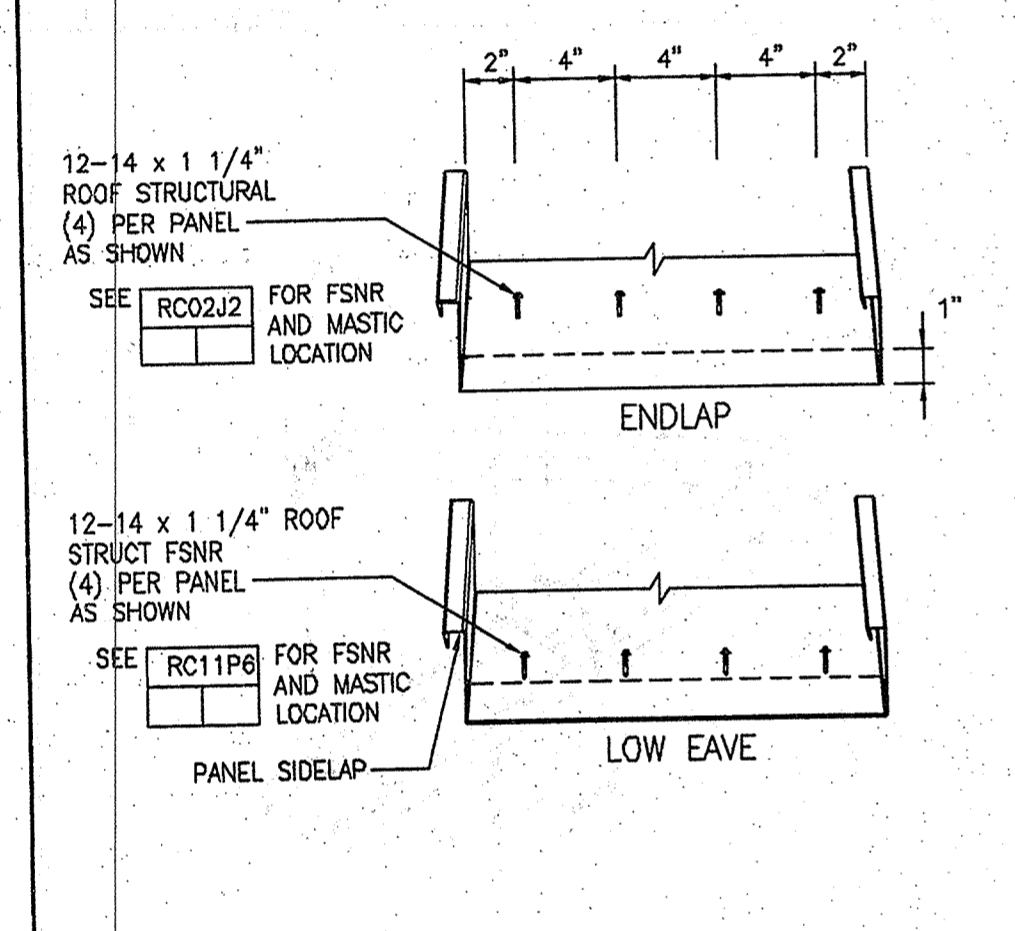
PIGGYBACK CANOPY BEAM ATTACHMENT TO INTERIOR FRAME **PF20C1**



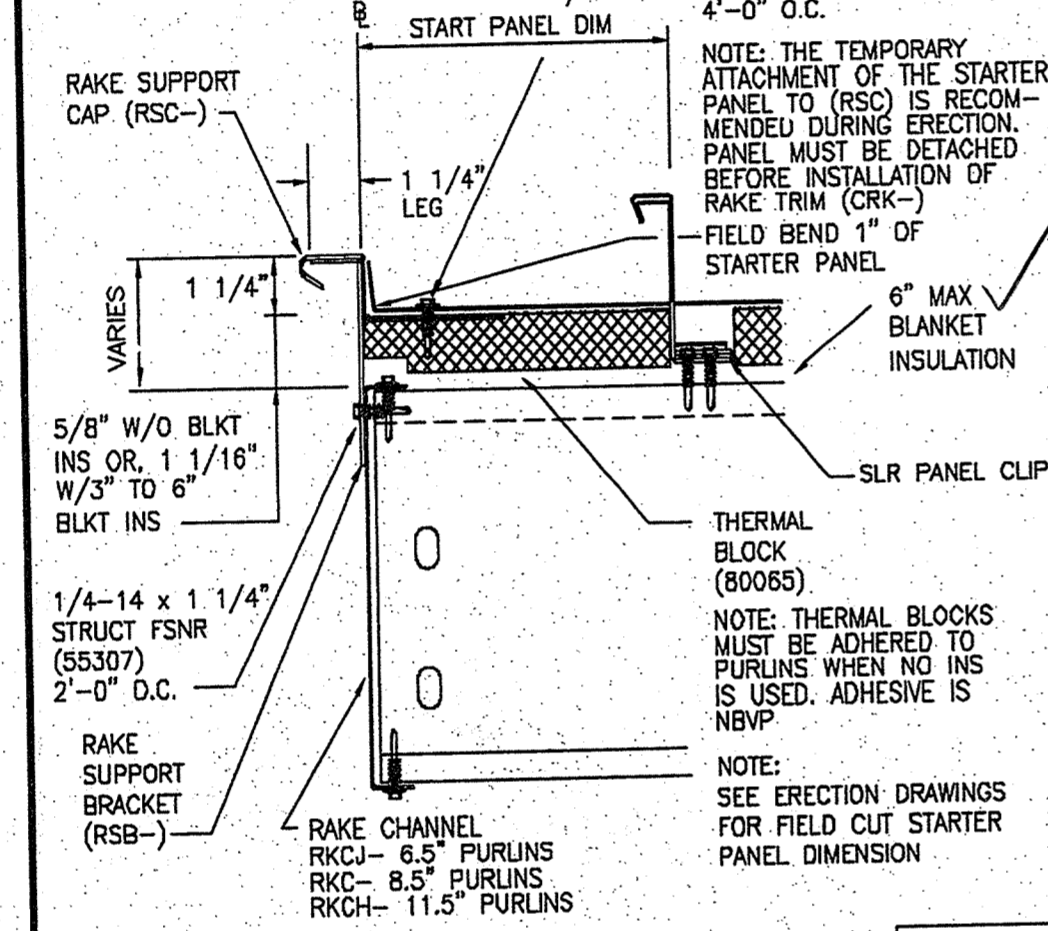
SLR PANEL CLIP ATTACHMENT **RC01T1**



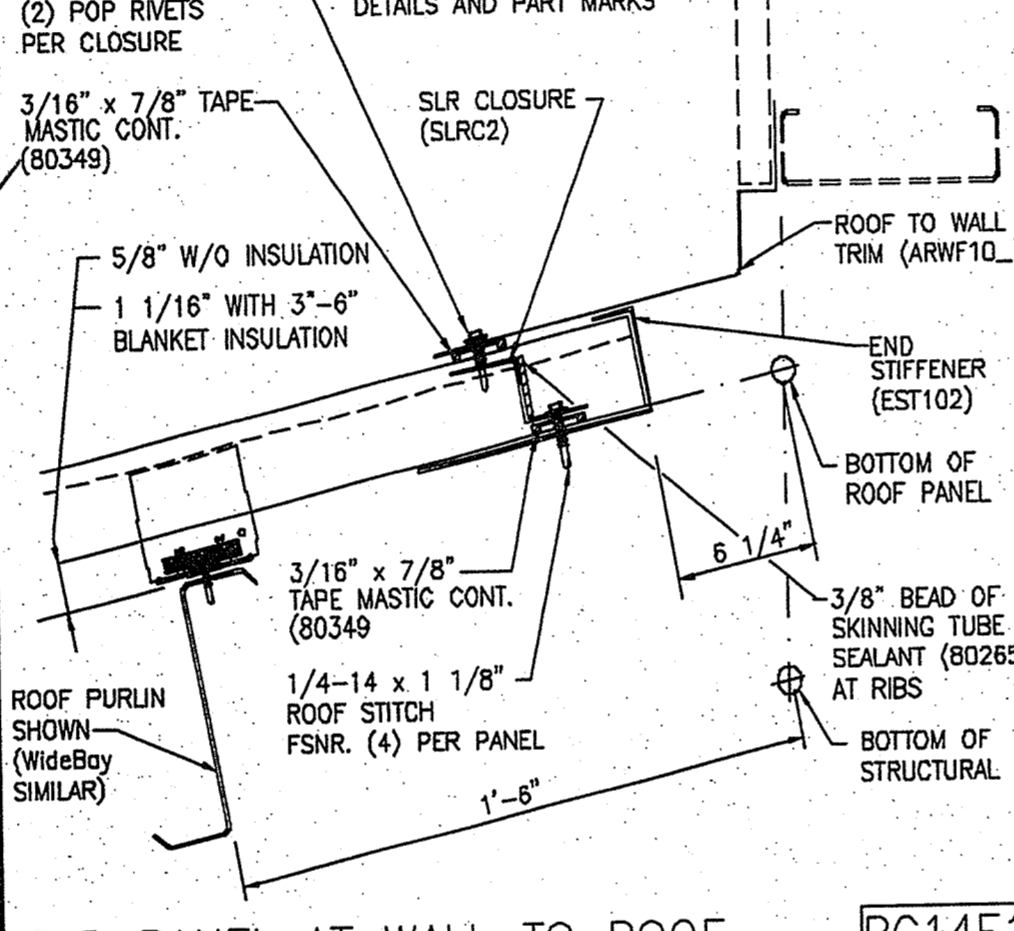
SLR PANEL CLIP ATTACHMENT **RC01T7**



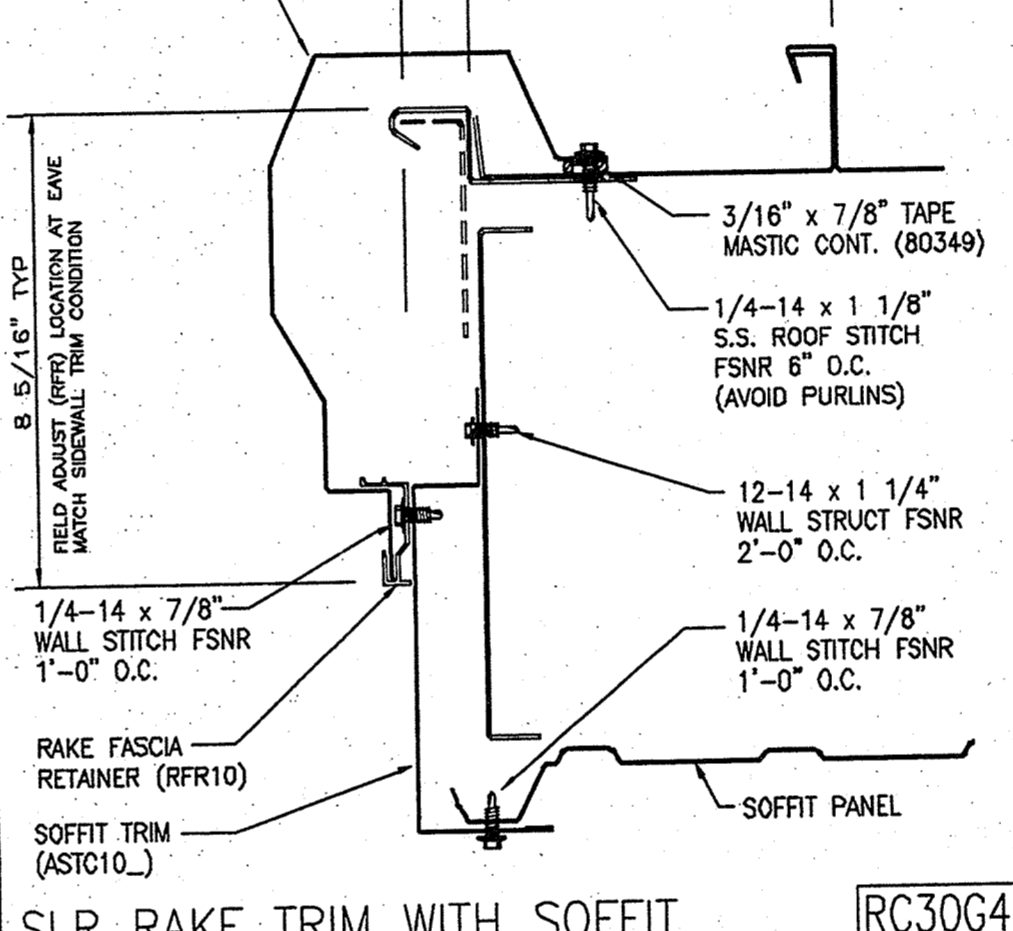
SLR ROOF FASTENER PATTERNS **RC04D5**



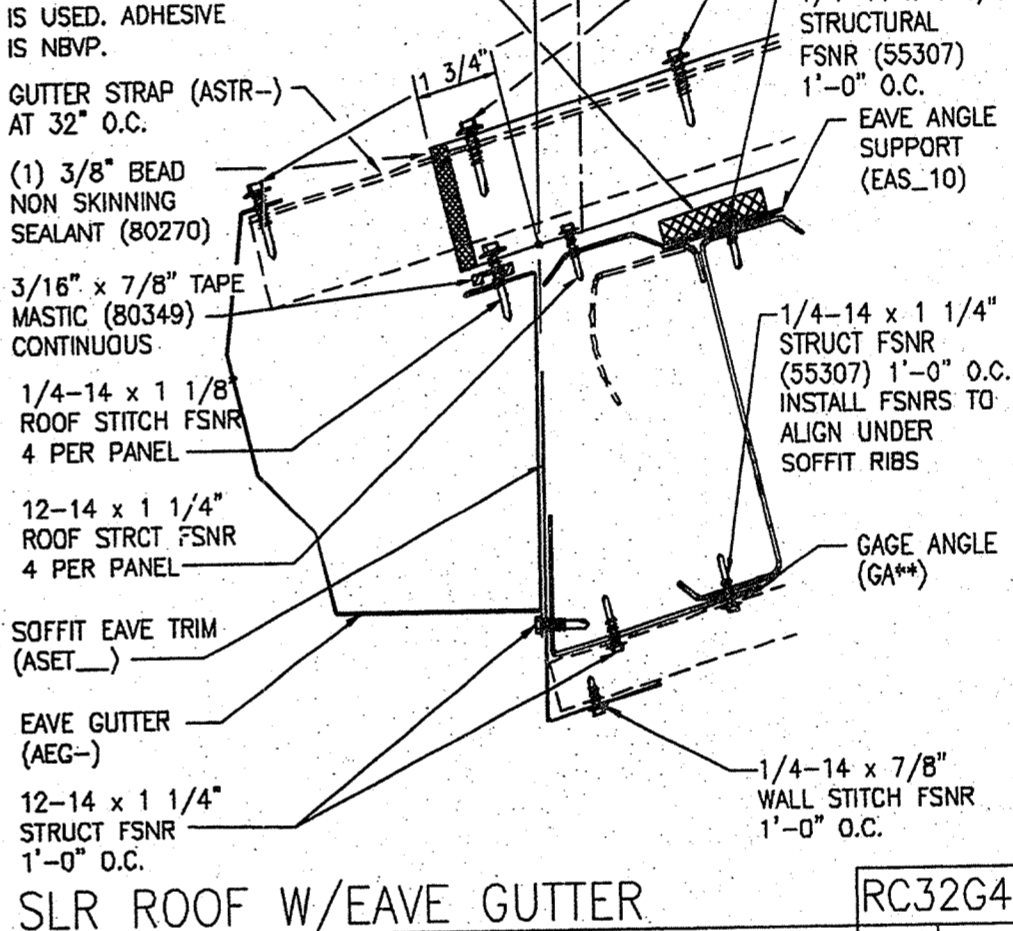
SLR STARTING RAKE **RC10R1**



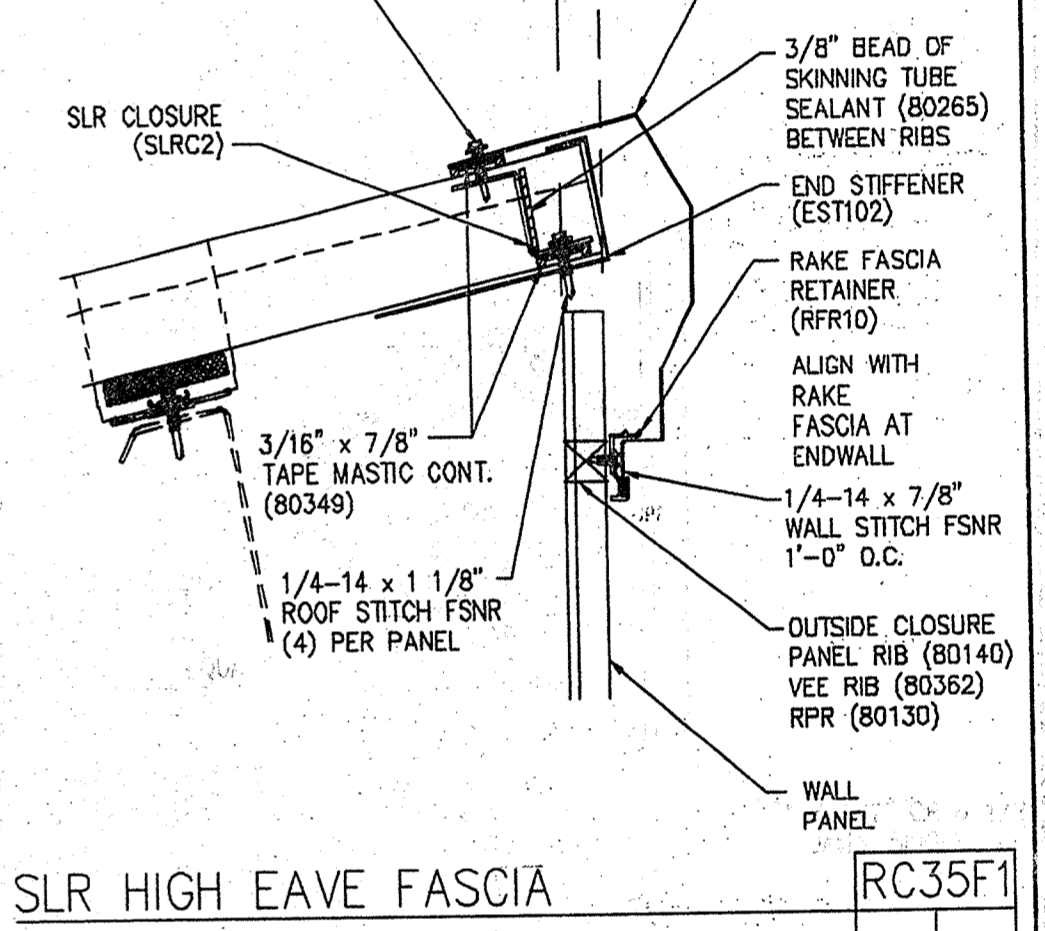
SLR PANEL AT WALL TO ROOF **RC14E1**



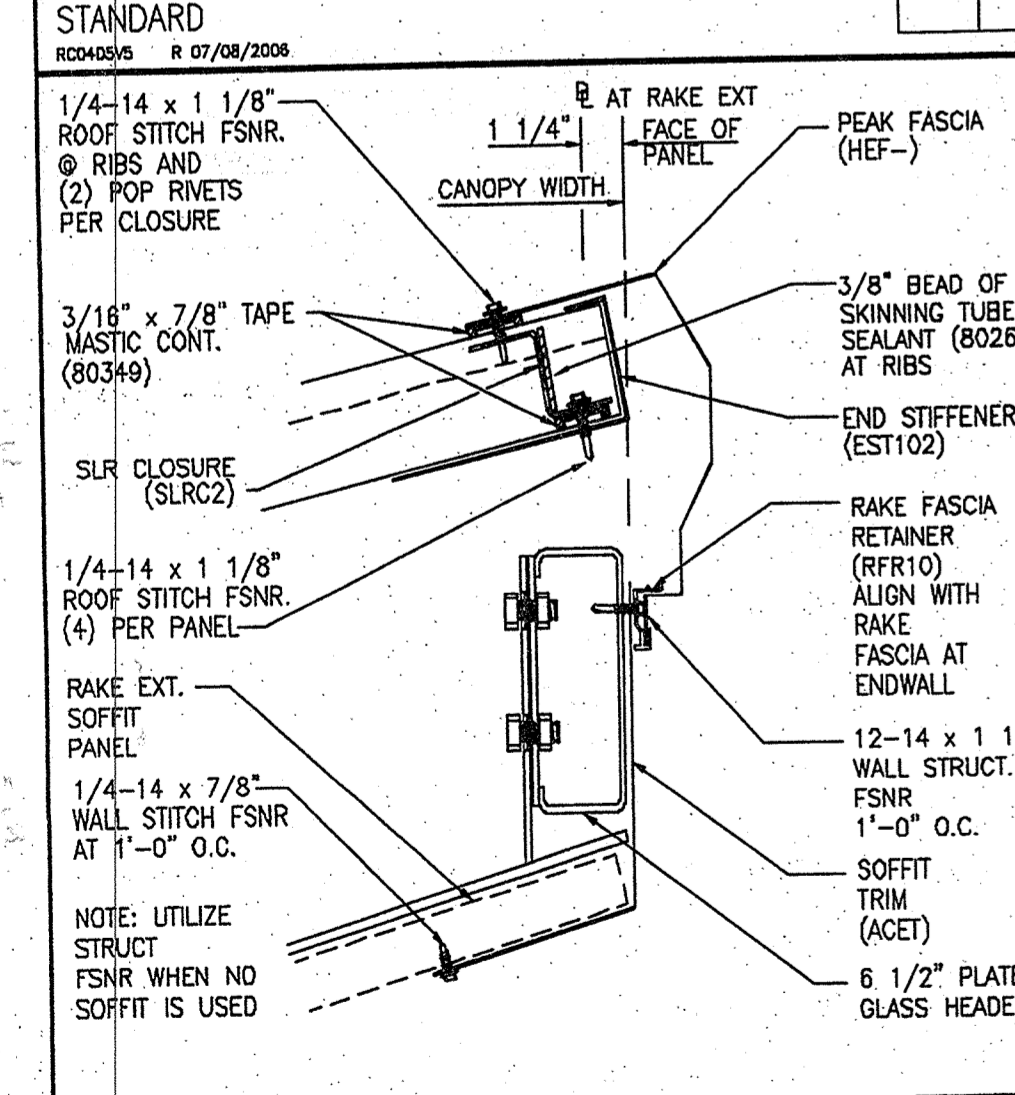
SLR RAKE TRIM WITH SOFFIT **RC30G4**



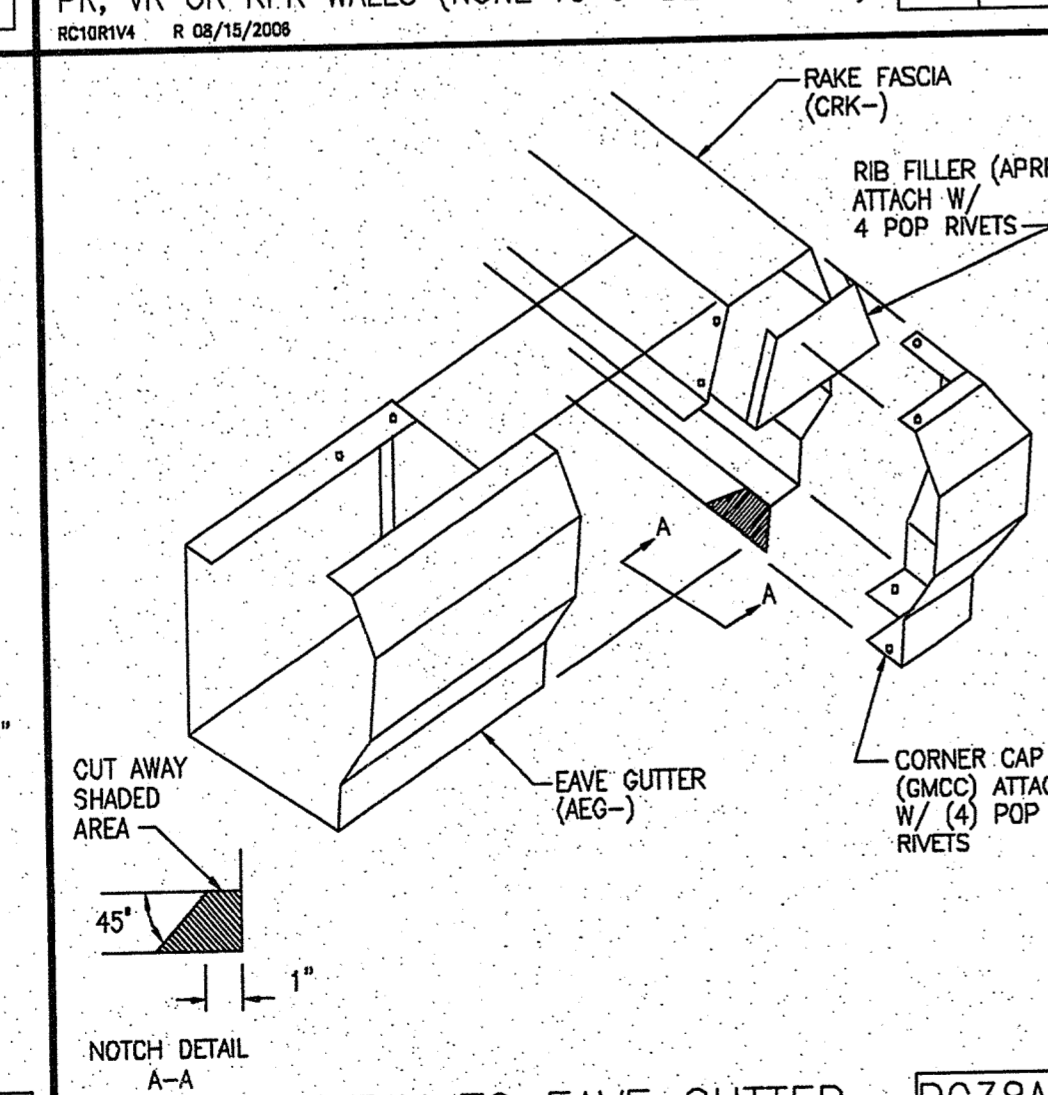
SLR ROOF W/EAVE GUTTER **RC32G4**



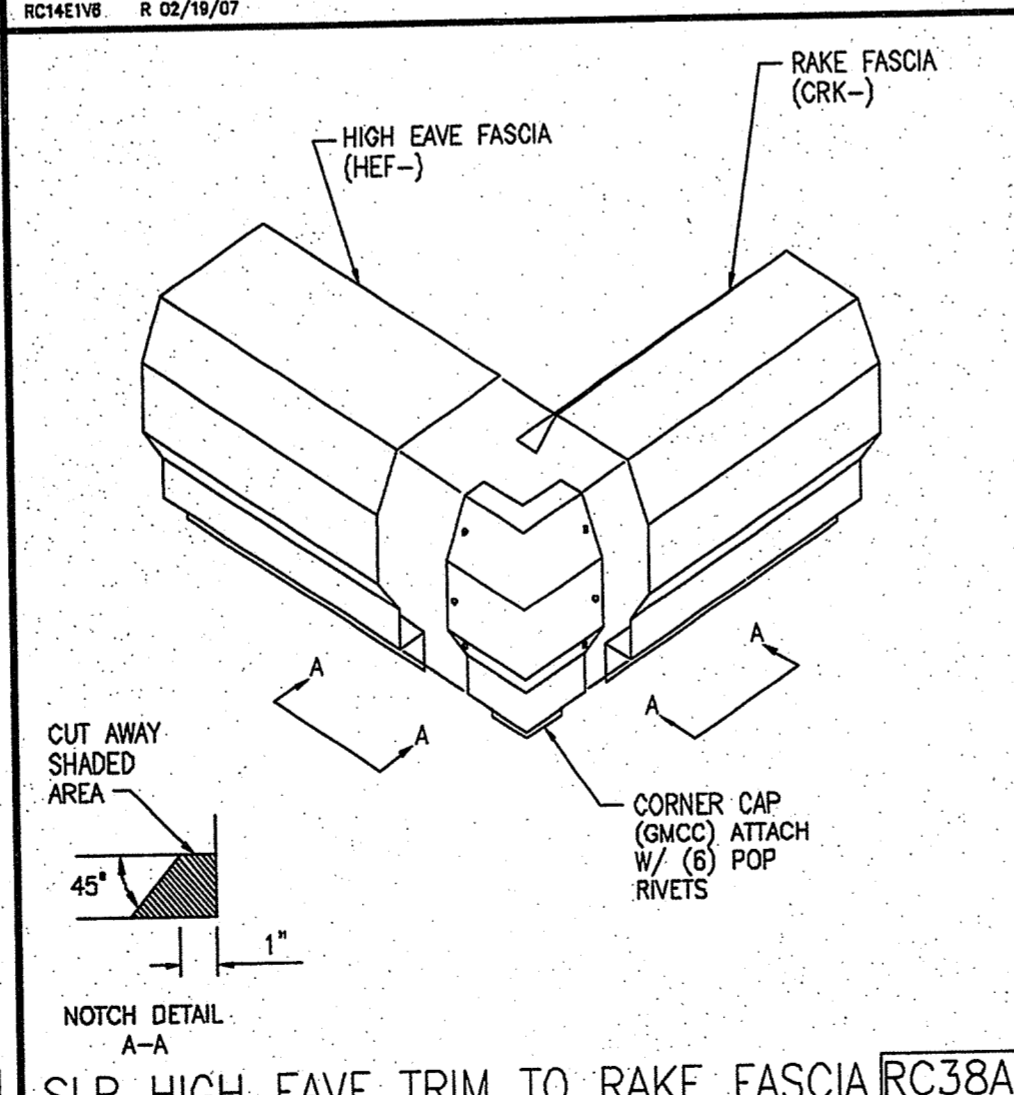
SLR HIGH EAVE FASCIA **RC35F1**



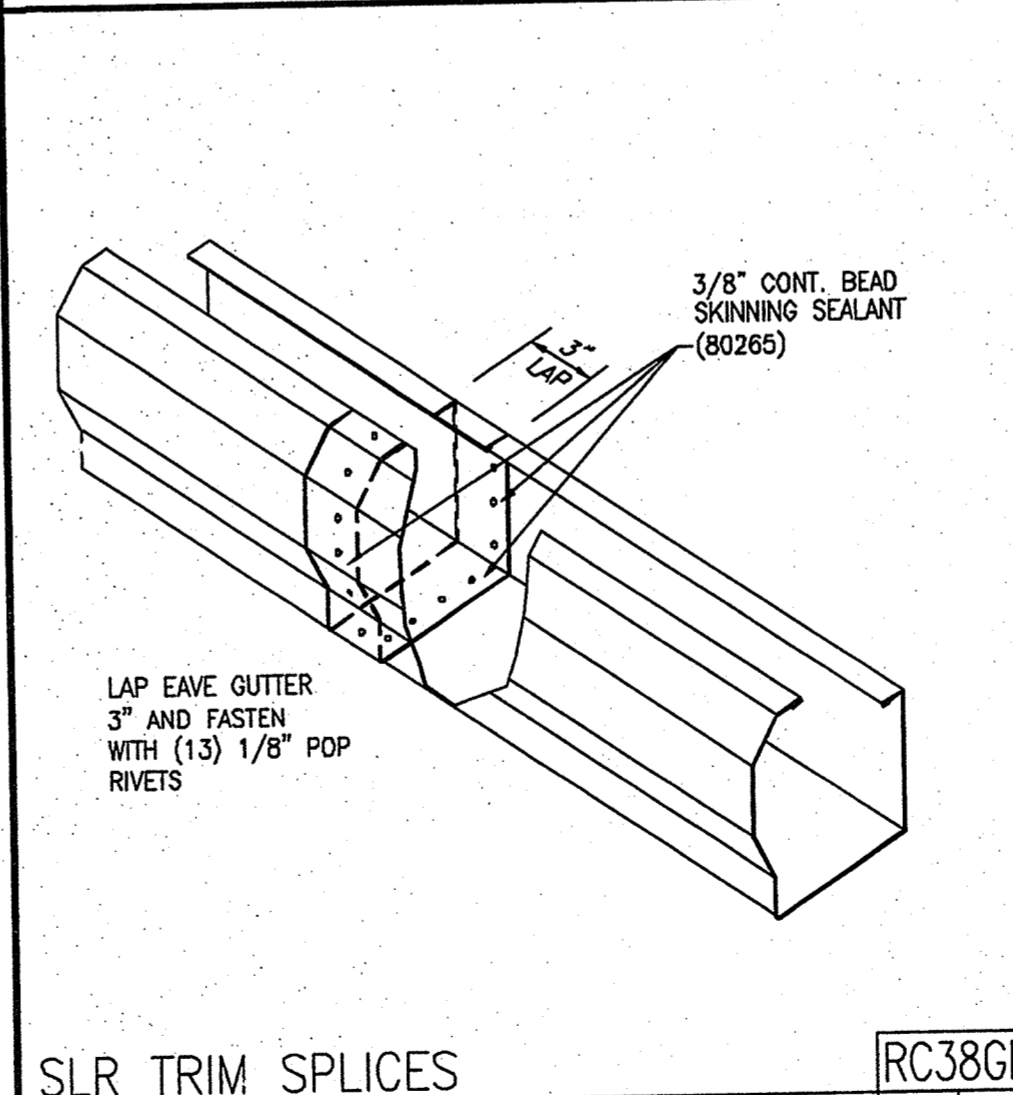
SLR HIGH EAVE FASCIA **RC35F4**



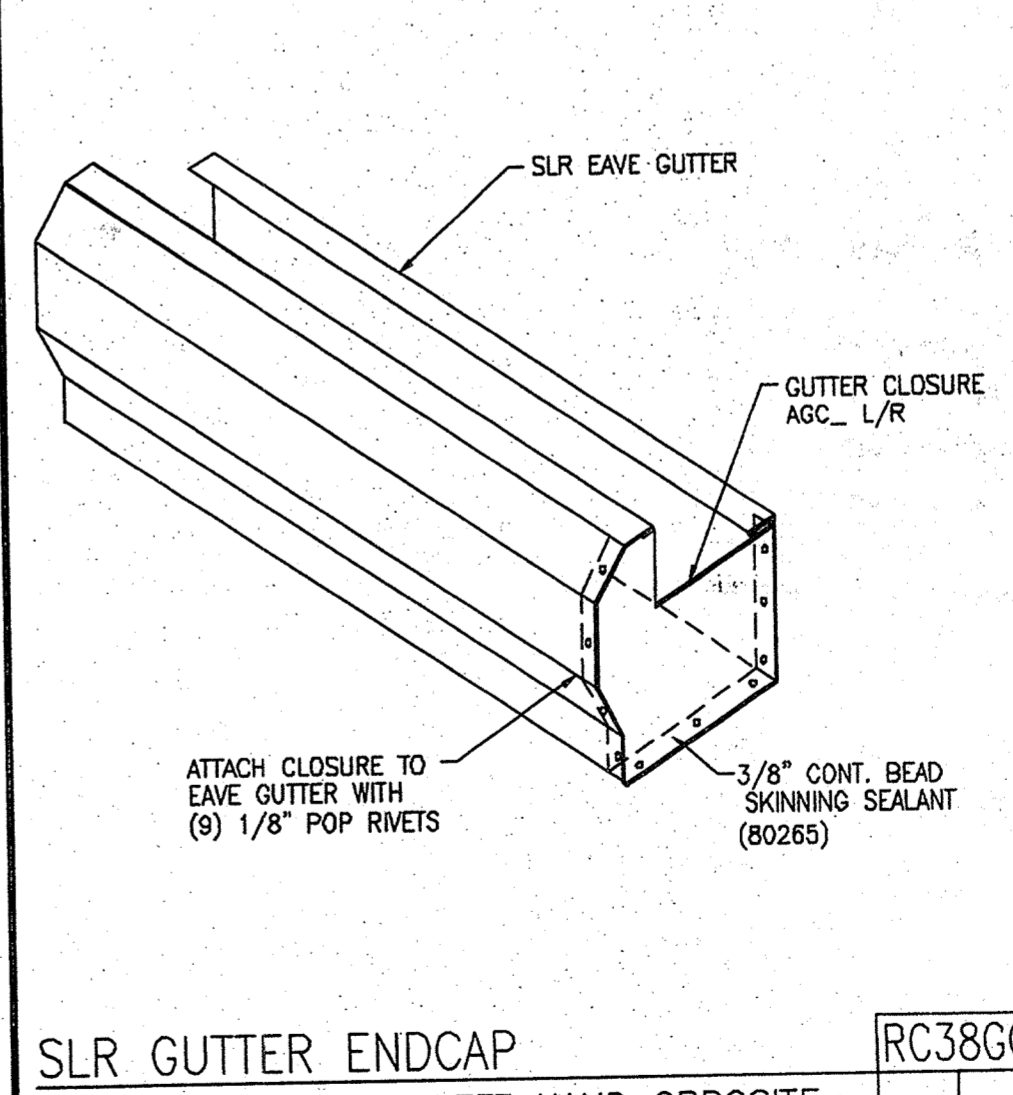
SLR RAKE TRIM TO EAVE GUTTER **RC38A7**



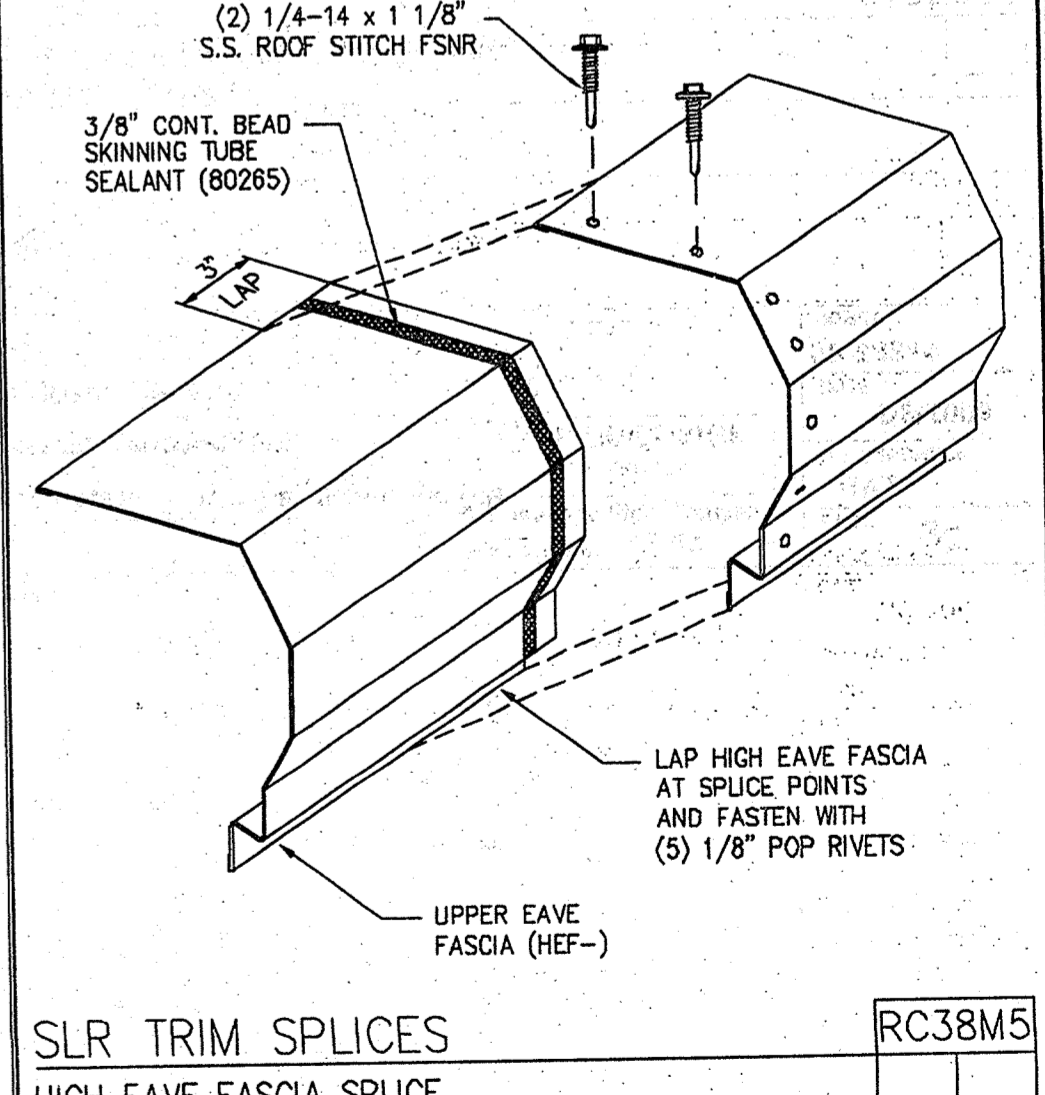
SLR HIGH EAVE TRIM TO RAKE FASCIA **RC38AD**



SLR TRIM SPLICES **RC38GF**



SLR GUTTER ENDCAP **RC38GG**



SLR TRIM SPLICES **RC38M5**

FLANGE BRACE REQUIREMENTS:  
 RULE#1- ALL FLANGE BRACES ON CROSS SECTIONS MUST BE INSTALLED.  
 RULE#2- SINGLE FLANGE BRACES ARE REQUIRED WHEN PART MARK ON CROSS SECTION IS NOT ACCOMPANIED BY (2).  
 RULE#3- FLANGE BRACES ARE REQUIRED BOTH SIDES OF THE FRAME WEB WHEN PART MARK IS ACCOMPANIED BY (2).  
 RULE#4- WHENEVER POSSIBLE, PLACE SINGLE BRACES TOWARD THE CENTER OF THE BUILDING.  
 RULE#5- WHENEVER POSSIBLE, PLACE ALL SINGLE BRACES ON THE SAME SIDE OF THE FRAME WEB.

NOTES:  
 -WHEN SAG ANGLE SLOTS IN ADJACENT PURLINS DO NOT ALIGN, FIELD BEND THE SAG ANGLE TAB AND ATTACH TO PURLIN WITH A 1/4-14 x 1 1/8\"/>

NOTE: THE TEMPORARY ATTACHMENT OF THE STARTER PANEL TO (RSC) IS RECOMMENDED DURING ERECTION. PANEL MUST BE DETACHED BEFORE INSTALLATION OF RAKE TRIM (CRK-). FIELD BEND 1\"/>

NOTE: WHEN INSTALLING ROOF PANEL STRUCTURAL FASTENERS, AVOID FASTENING THRU PIGGYBACK CANOPY BEAMS.

ERECTION NOTE:  
 WHEN BLANKET INSULATION IS NOT USED, THERMAL BLOCKS MUST BE ADHERED TO PURLIN FLANGE WITH ADHESIVE. ADHESIVE BY BUILDER.

NOTE: THERMAL BLOCKS MUST BE ADHERED TO PURLINS WHEN NO INS IS USED. ADHESIVE IS NBVP.

THE VP ENGINEER'S SEAL APPLIES ONLY TO THE WORK PRODUCT OF VP AND DESIGN AND PERFORMANCE REQUIREMENTS SPECIFIED BY VP. THE VP ENGINEER'S SEAL DOES NOT APPLY TO THE PERFORMANCE OR DESIGN OF ANY OTHER PRODUCT OR COMPONENT FURNISHED BY VP EXCEPT TO ANY DESIGN OR PERFORMANCE REQUIREMENTS SPECIFIED BY VP.

THIS DRAWING, INCLUDING THE INFORMATION HEREON, REMAINS THE PROPERTY OF VP BUILDINGS. IT IS PROVIDED SOLELY FOR ERECTING THE BUILDING DESCRIBED IN THE APPLICABLE PURCHASE ORDER AND SHALL NOT BE MODIFIED, REPRODUCED OR USED FOR ANY OTHER PURPOSE WITHOUT PRIOR WRITTEN APPROVAL OF VP BUILDINGS.

THE GENERAL CONTRACTOR AND/OR ERECTOR IS SOLELY RESPONSIBLE FOR ACCURATE, GOOD QUALITY WORKMANSHIP IN ERECTING THIS BUILDING IN CONFORMANCE WITH THIS DRAWING, DETAILS REFERENCED IN THIS DRAWING, AND ALL APPLICABLE VP ERECTION GUIDES, AND INDUSTRY STANDARDS PERTAINING TO PROPER ERECTION, INCLUDING THE CORRECT USE OF TEMPORARY BRACING.

VP Buildings			
3200 Players Club Circle Memphis TN 38125			
REV	DATE	BY	DESCRIPTION
NTS			

BUILDING SED'S	
BUILDER	Broadmor, LLC
CUSTOMER	John F. Stennis Space Center
LOCATION	Stennis Space Center, Mississippi
PROJECT	Riverine and Combatant Craft Operations Facility
BUILDERS PO#	

VP BUILDINGS  
 VARCO PRUDEN  
 A BlueScope Steel Company  
 VPC VERSION: 7.1c

JOBNO  
 08-28914  
 DATE  
 2/6/2009  
 DRAWN/CHECK  
 RAT  
 PAGE  
 31