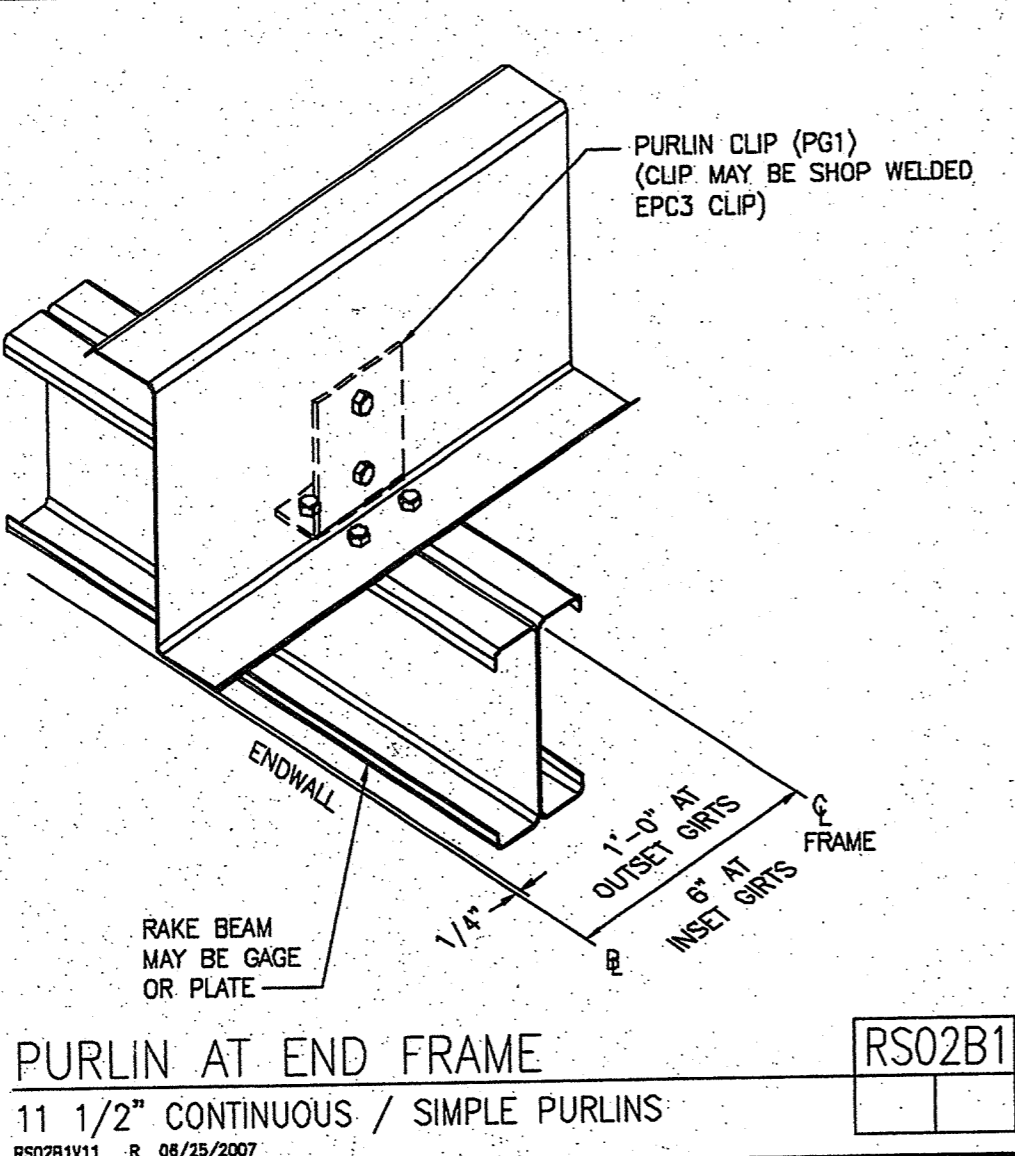


PURLINS AT INTERIOR FRAME RS01D1

11 1/2" CONTINUOUS PURLINS

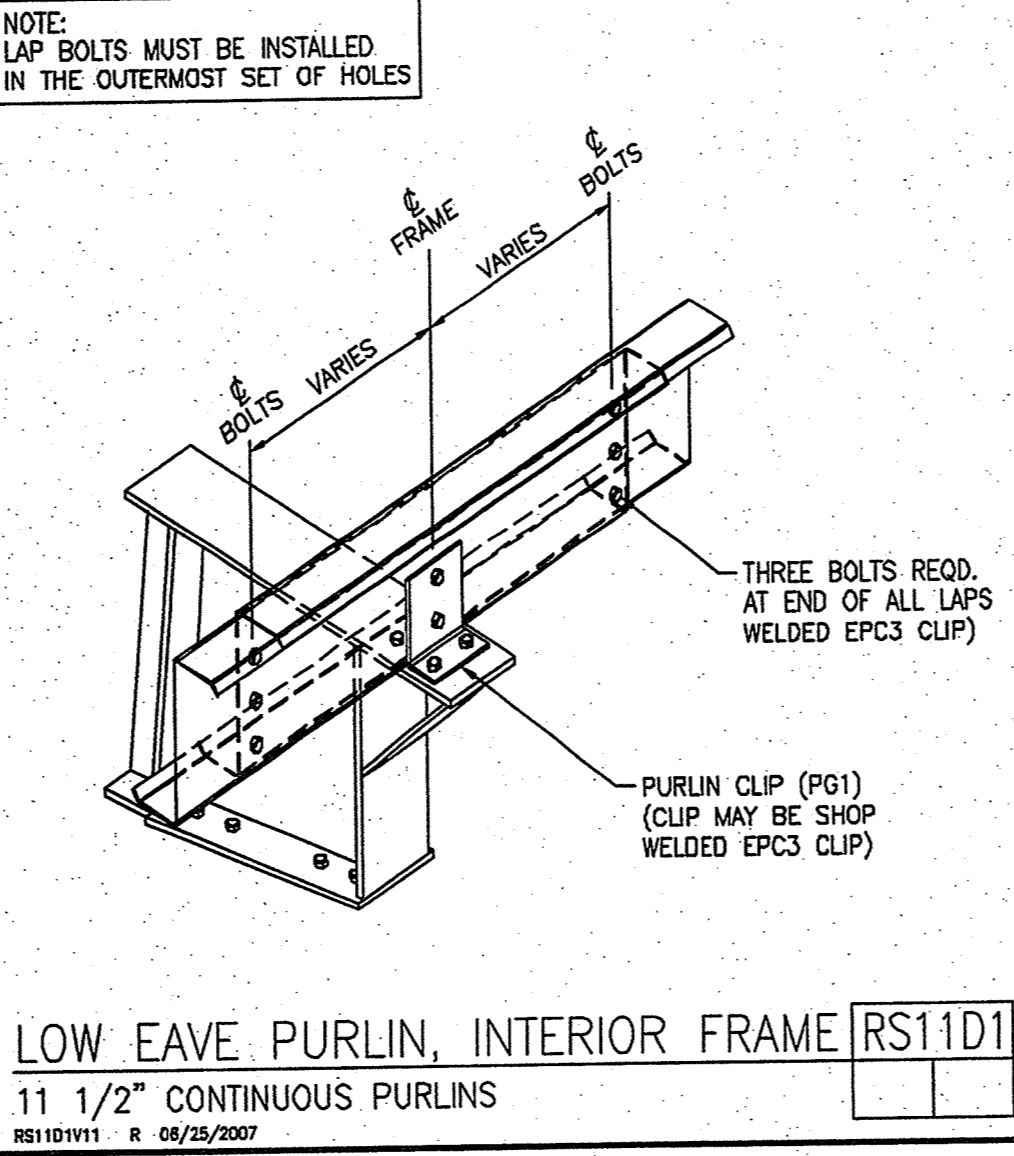
RS01D1V9 R 08/25/2007



PURLIN AT END FRAME RS02B1

11 1/2" CONTINUOUS / SIMPLE PURLINS

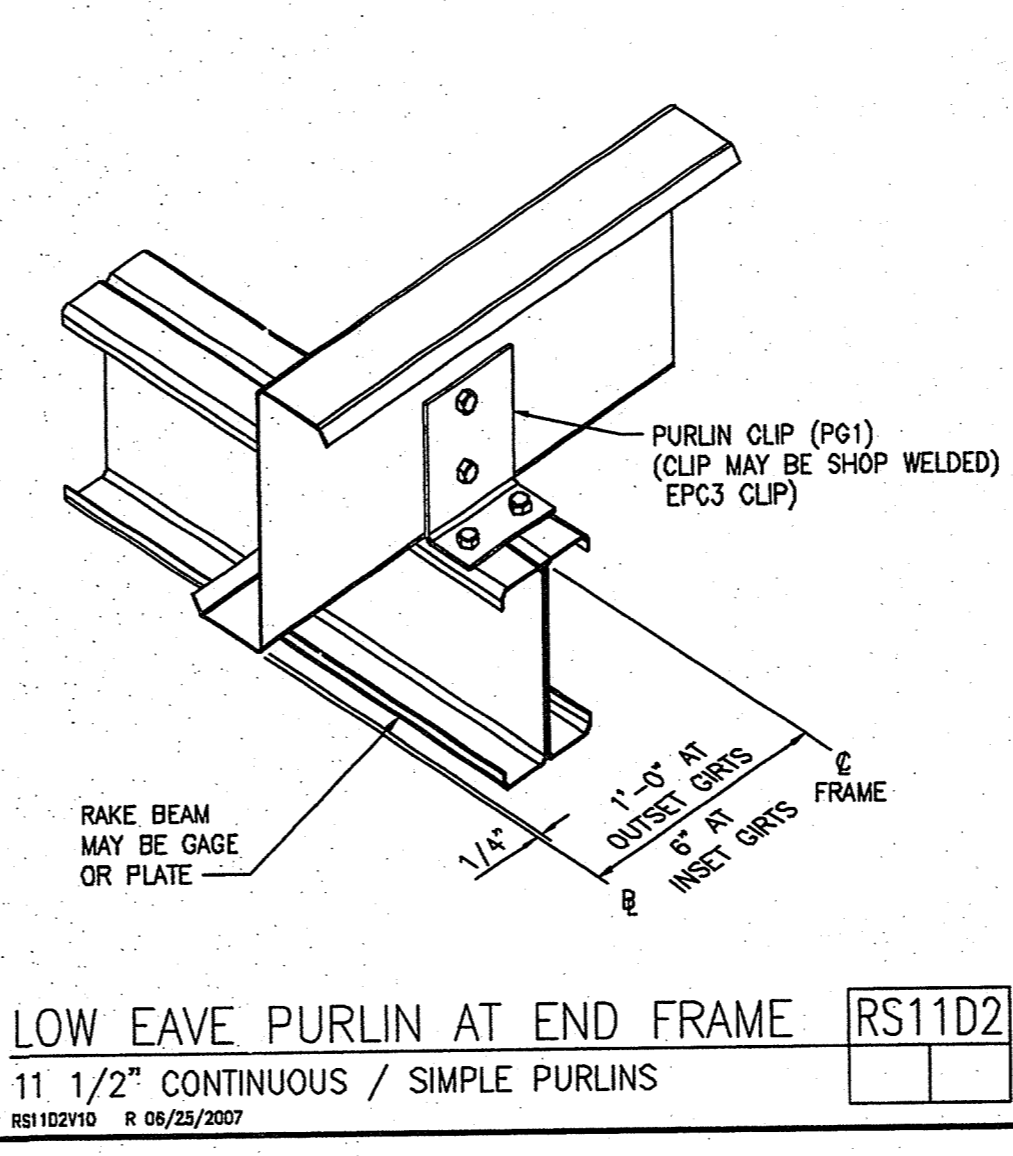
RS02B1V11 R 08/25/2007



LOW EAVE PURLIN, INTERIOR FRAME RS11D1

11 1/2" CONTINUOUS PURLINS

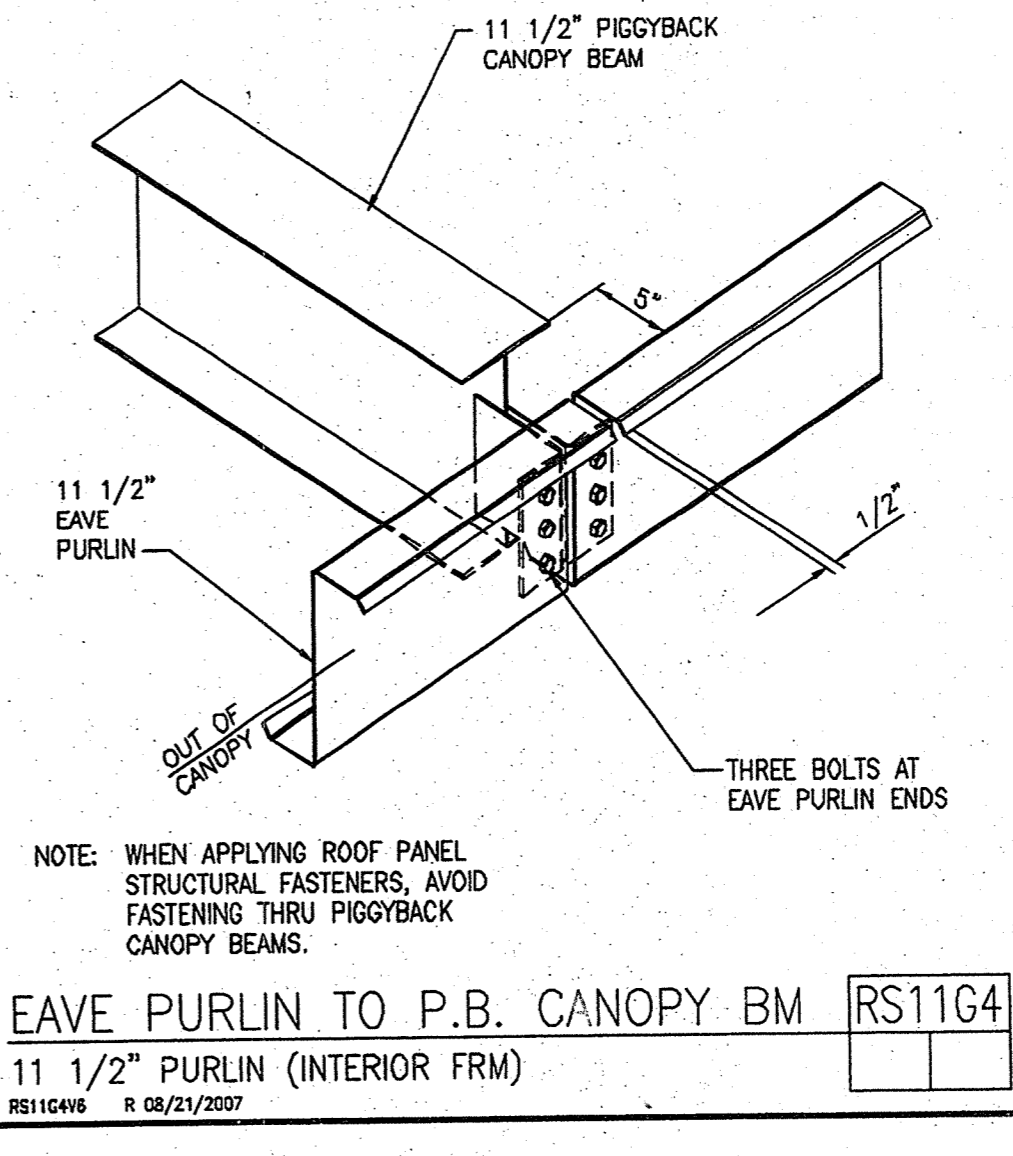
RS11D1V11 R 08/25/2007



LOW EAVE PURLIN AT END FRAME RS11D2

11 1/2" CONTINUOUS / SIMPLE PURLINS

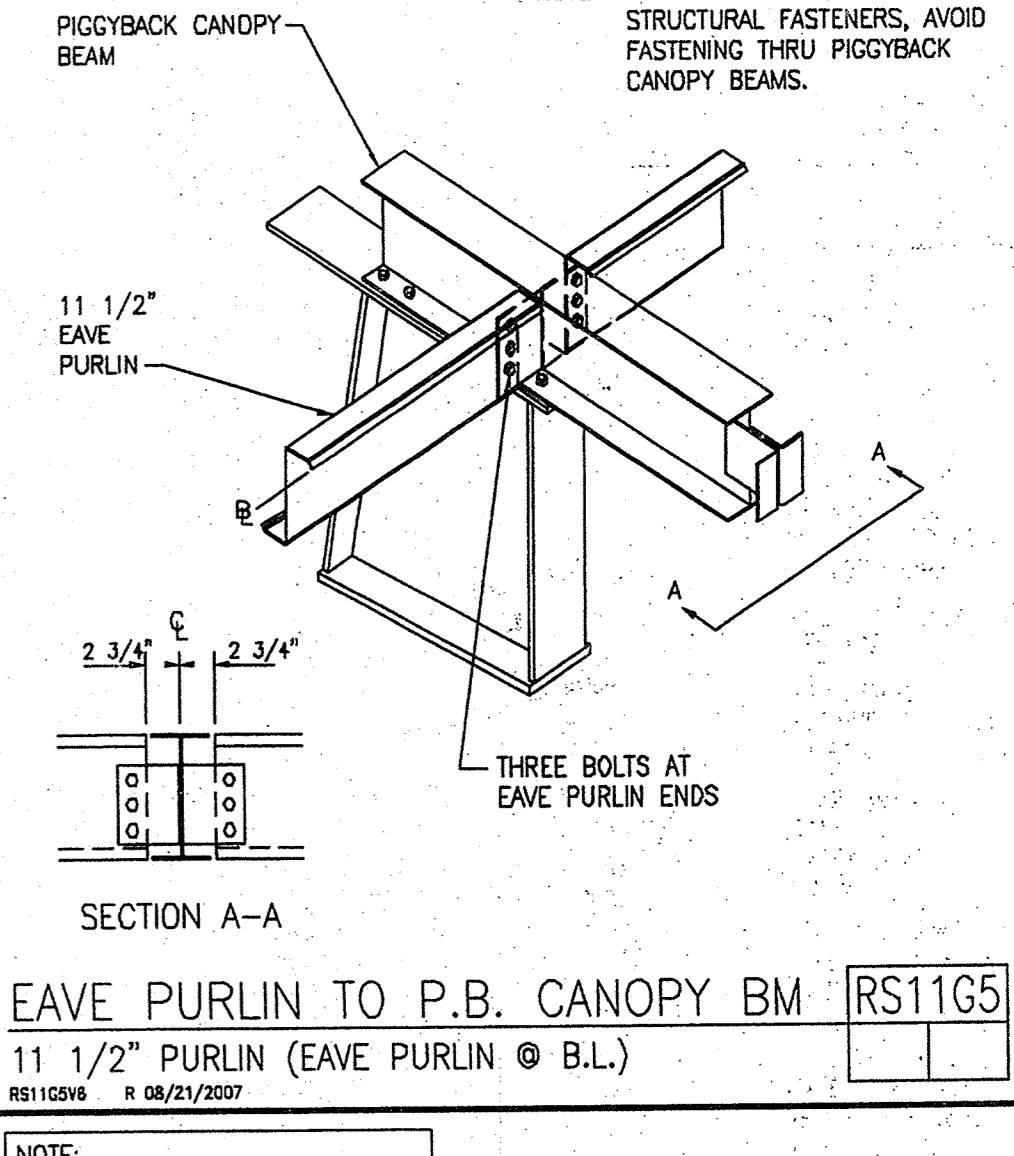
RS11D2V10 R 08/25/2007



EAVE PURLIN TO P.B. CANOPY BM RS11G4

11 1/2" PURLIN (INTERIOR FRM)

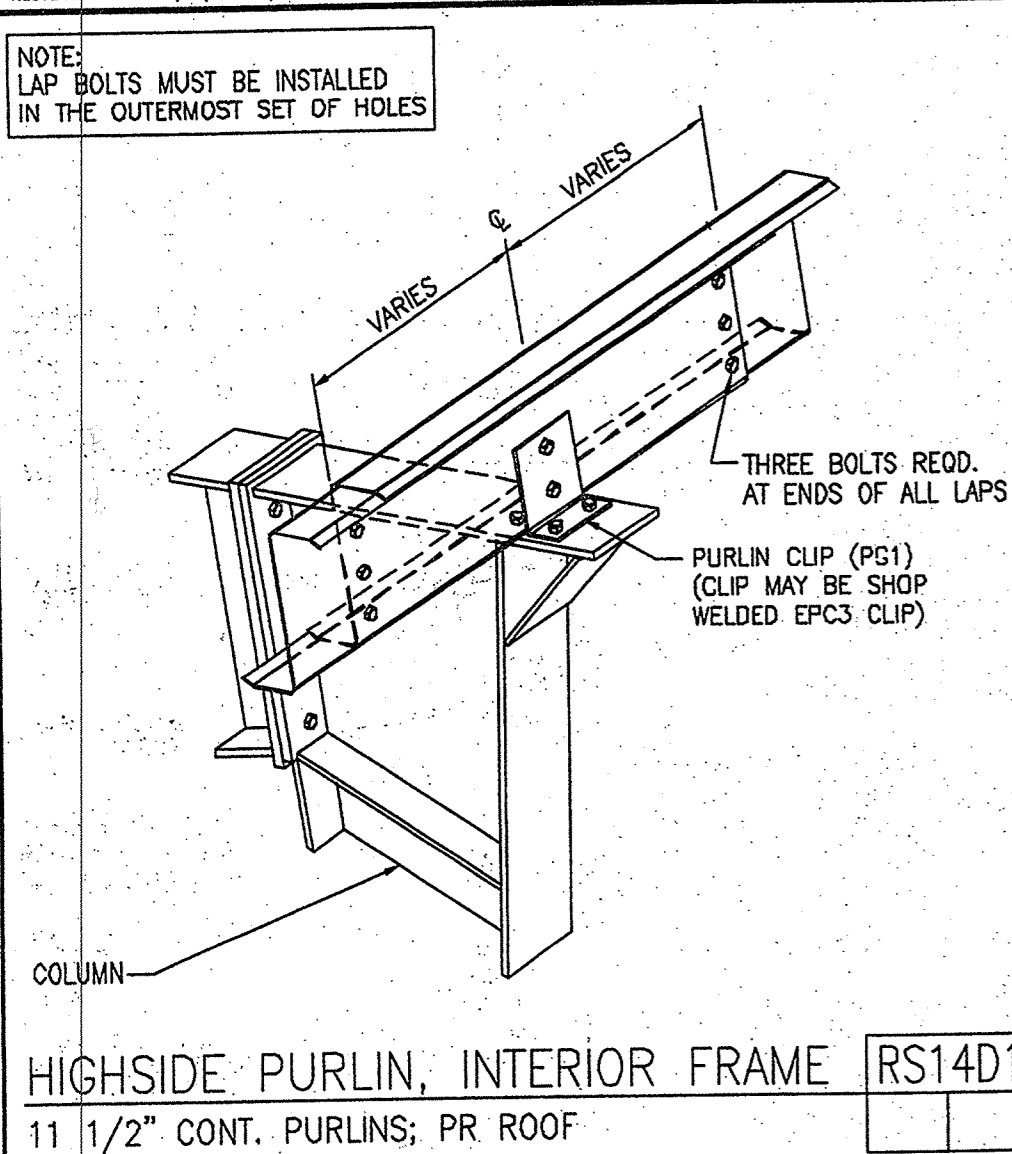
RS11G4V6 R 08/25/2007



EAVE PURLIN TO P.B. CANOPY BM RS11G5

11 1/2" PURLIN (EAVE PURLIN @ B.L.)

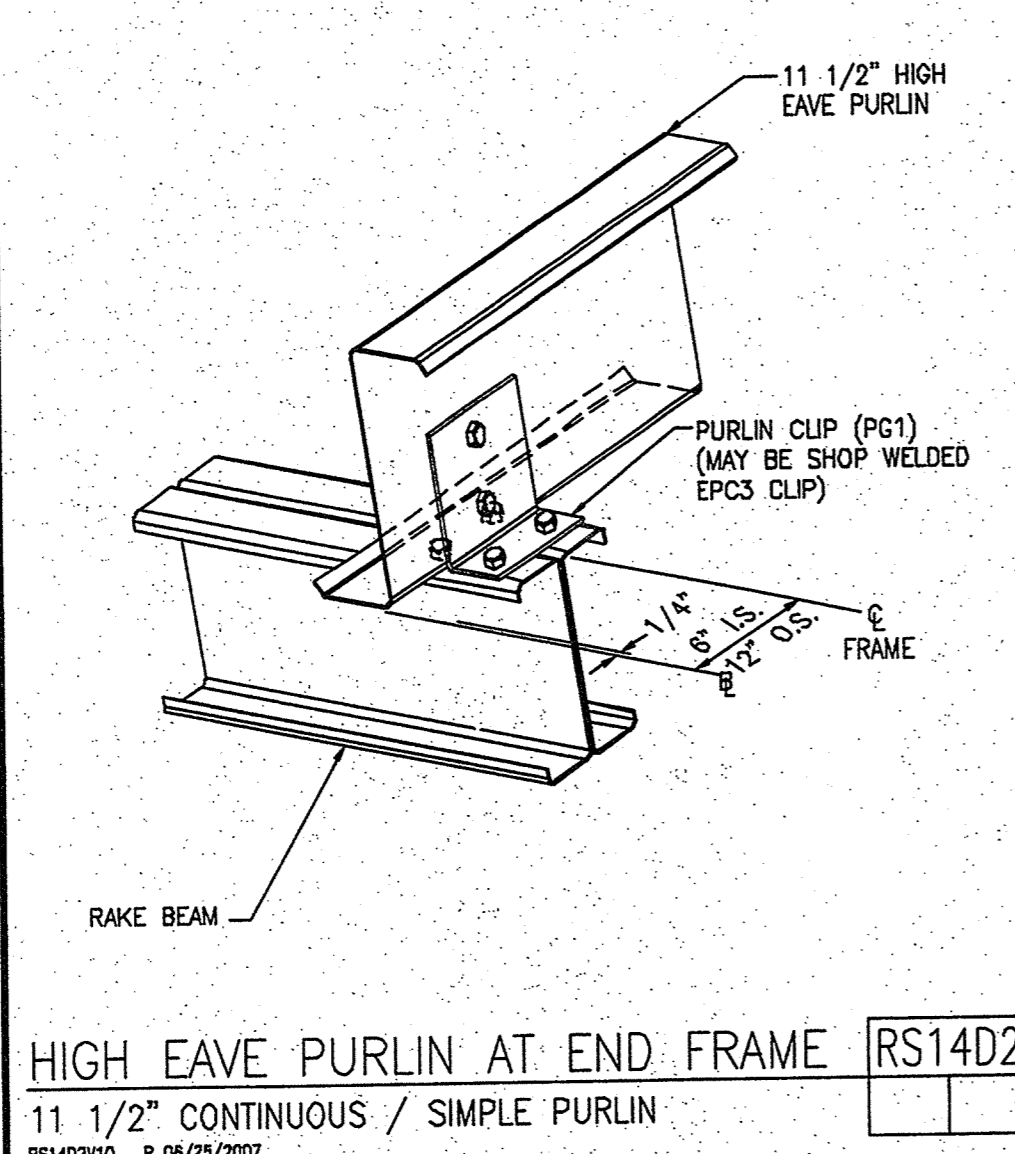
RS11G5V6 R 08/25/2007



HIGHSIDE PURLIN, INTERIOR FRAME RS14D1

11 1/2" CONT. PURLINS; PR ROOF

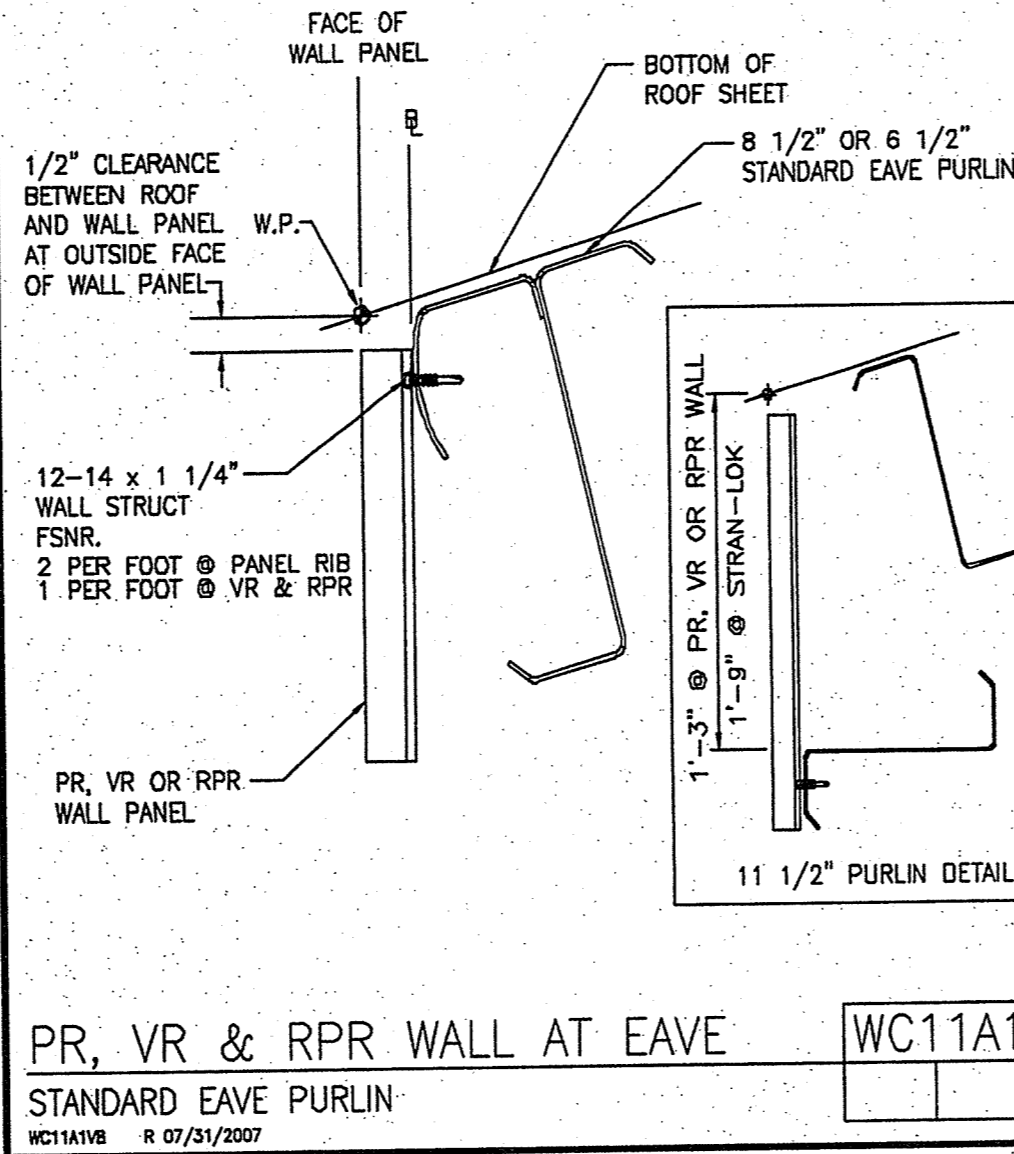
RS14D1V11 R 08/25/2007



HIGH EAVE PURLIN AT END FRAME RS14D2

11 1/2" CONTINUOUS / SIMPLE PURLIN

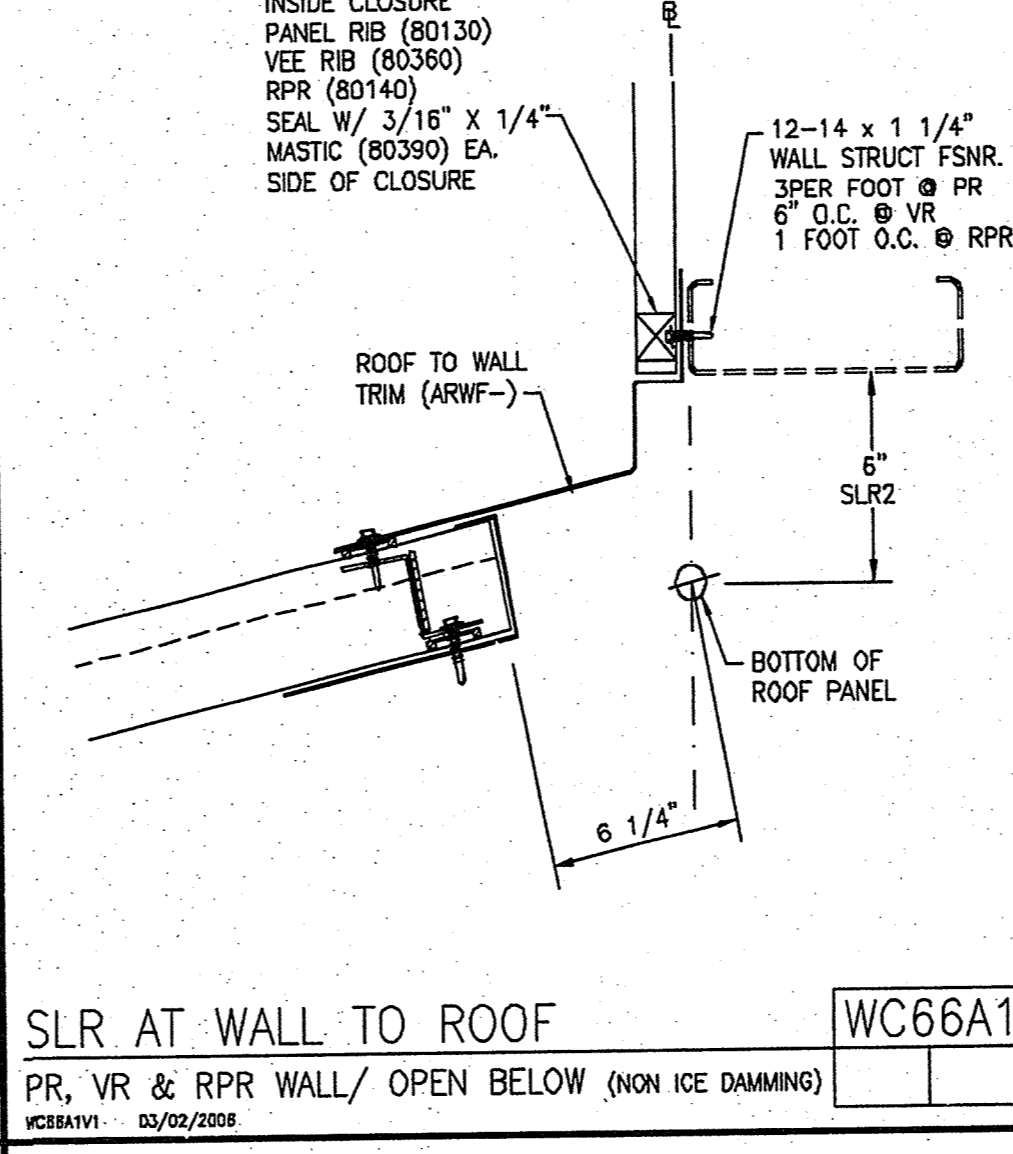
RS14D2V10 R 08/25/2007



PR, VR & RPR WALL AT EAVE WC11A1

STANDARD EAVE PURLIN

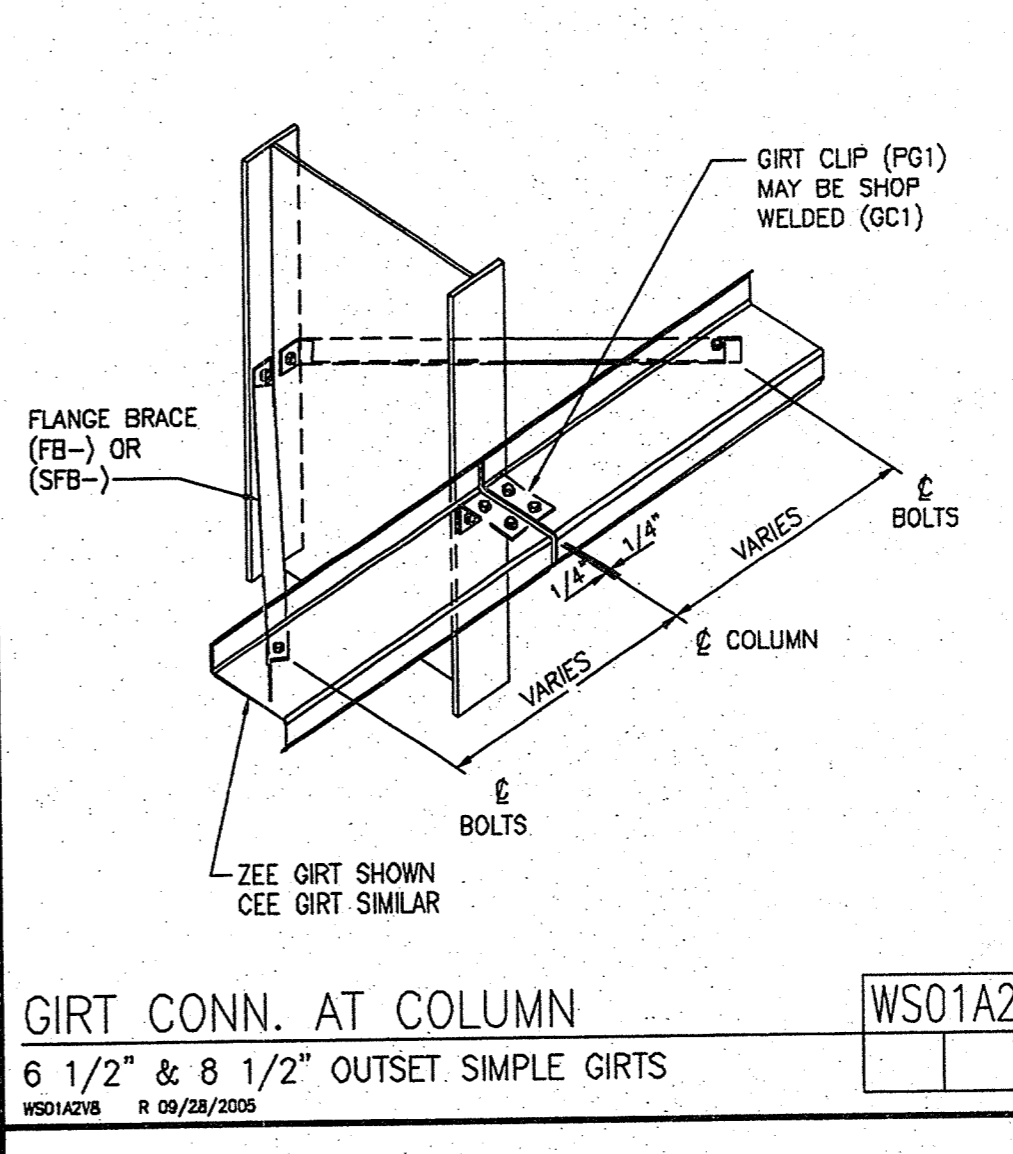
WC11A1V6 R 07/21/2007



SLR AT WALL TO ROOF WC66A1

PR, VR & RPR WALL/ OPEN BELOW (NON ICE DAMMING)

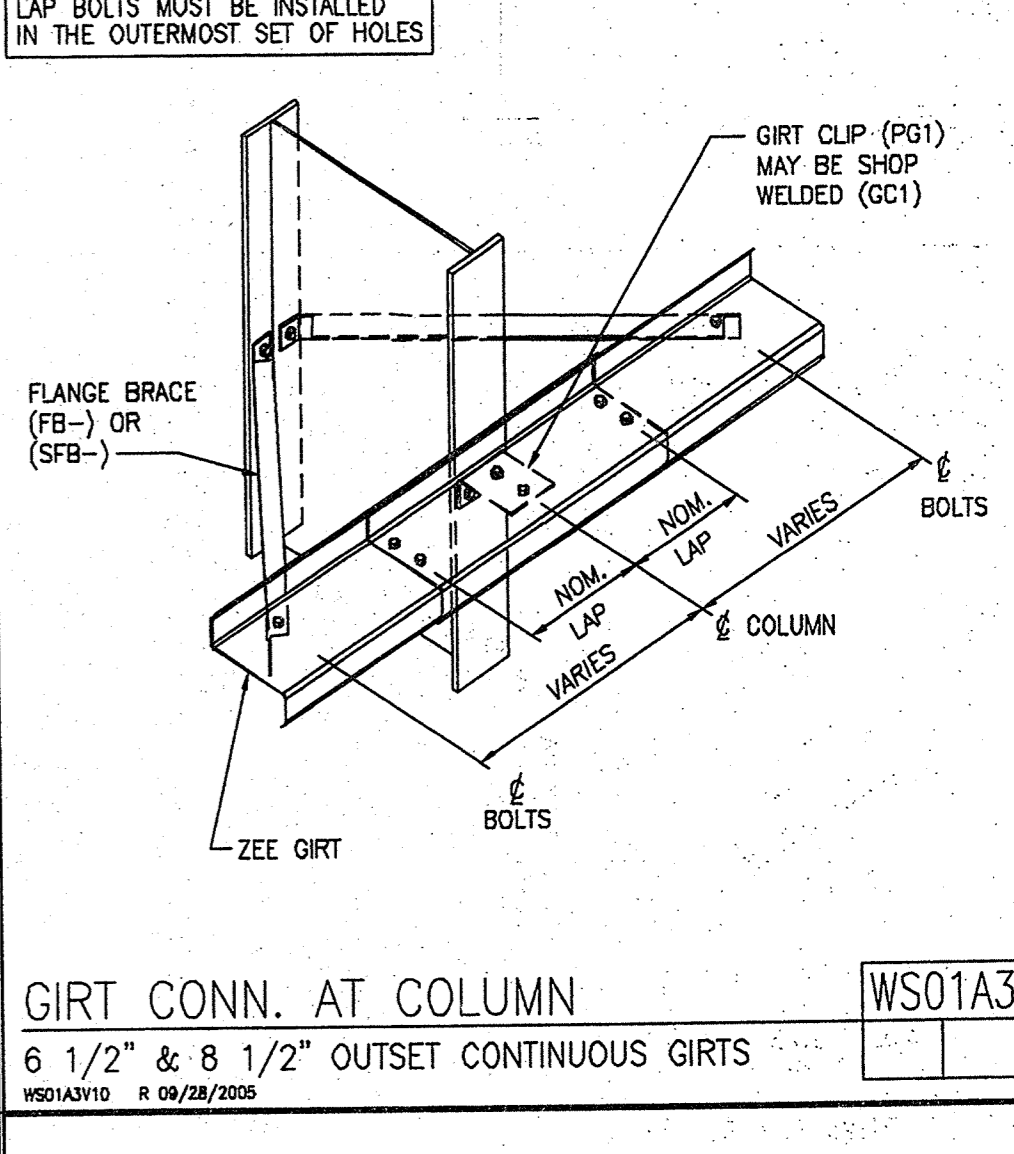
WC66A1V1 03/02/2008



GIRT CONN. AT COLUMN WS01A2

6 1/2" & 8 1/2" OUTSET SIMPLE GIRTS

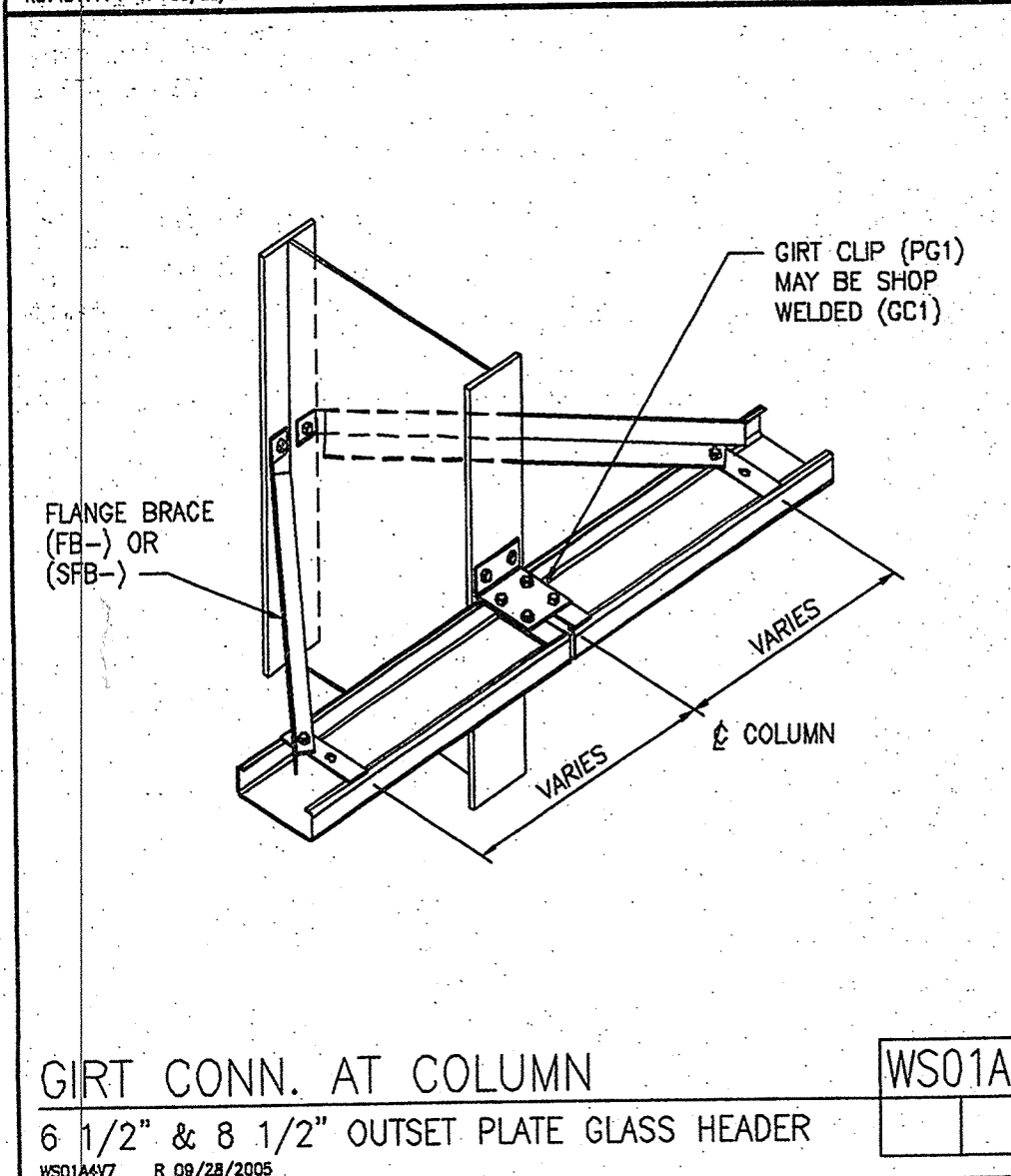
WS01A2V8 R 09/28/2005



GIRT CONN. AT COLUMN WS01A3

6 1/2" & 8 1/2" OUTSET CONTINUOUS GIRTS

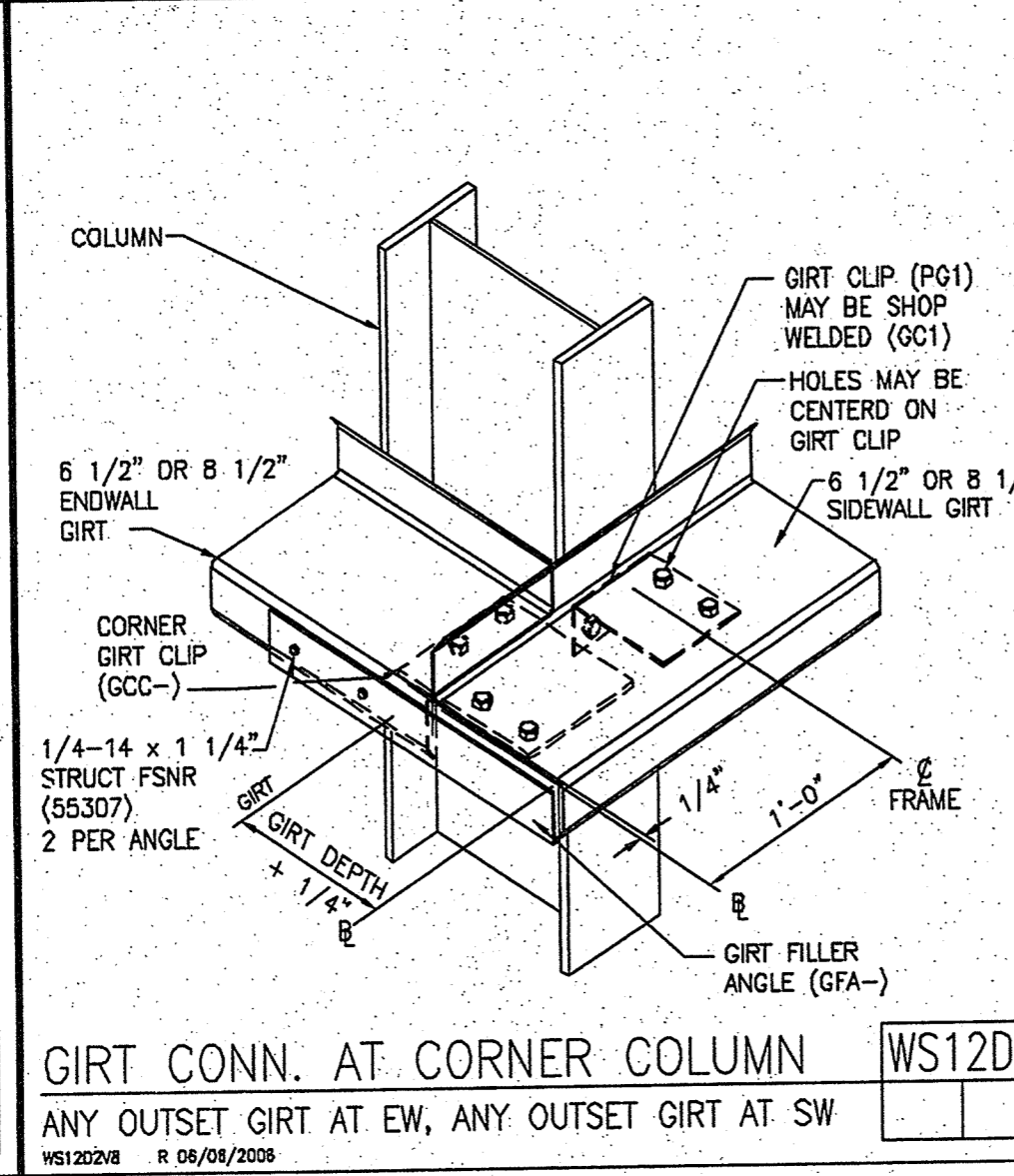
WS01A3V10 R 09/28/2005



GIRT CONN. AT COLUMN WS01A4

6 1/2" & 8 1/2" OUTSET PLATE GLASS HEADER

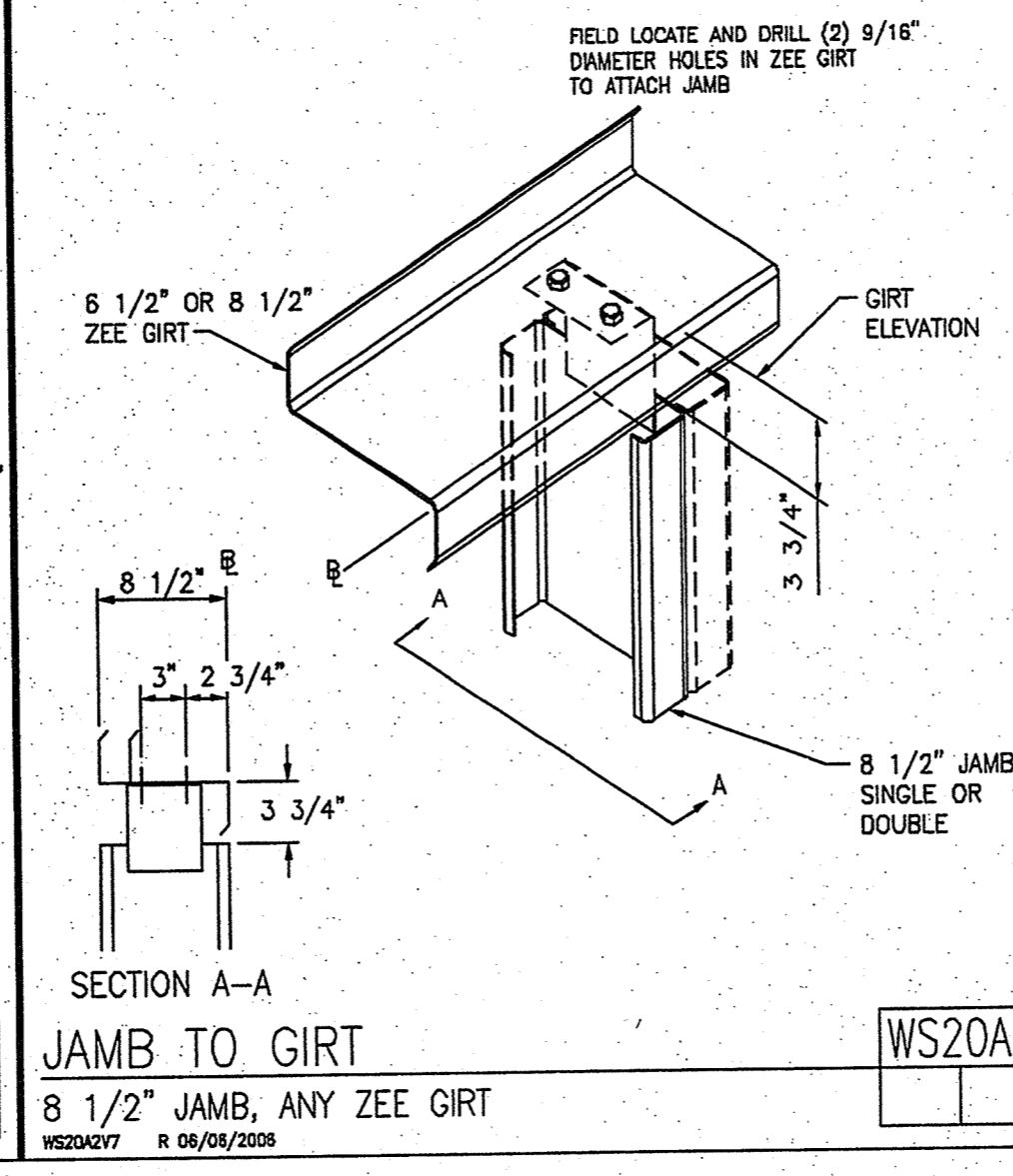
WS01A4V7 R 09/28/2005



GIRT CONN. AT CORNER COLUMN WS12D2

ANY OUTSET GIRT AT EW, ANY OUTSET GIRT AT SW

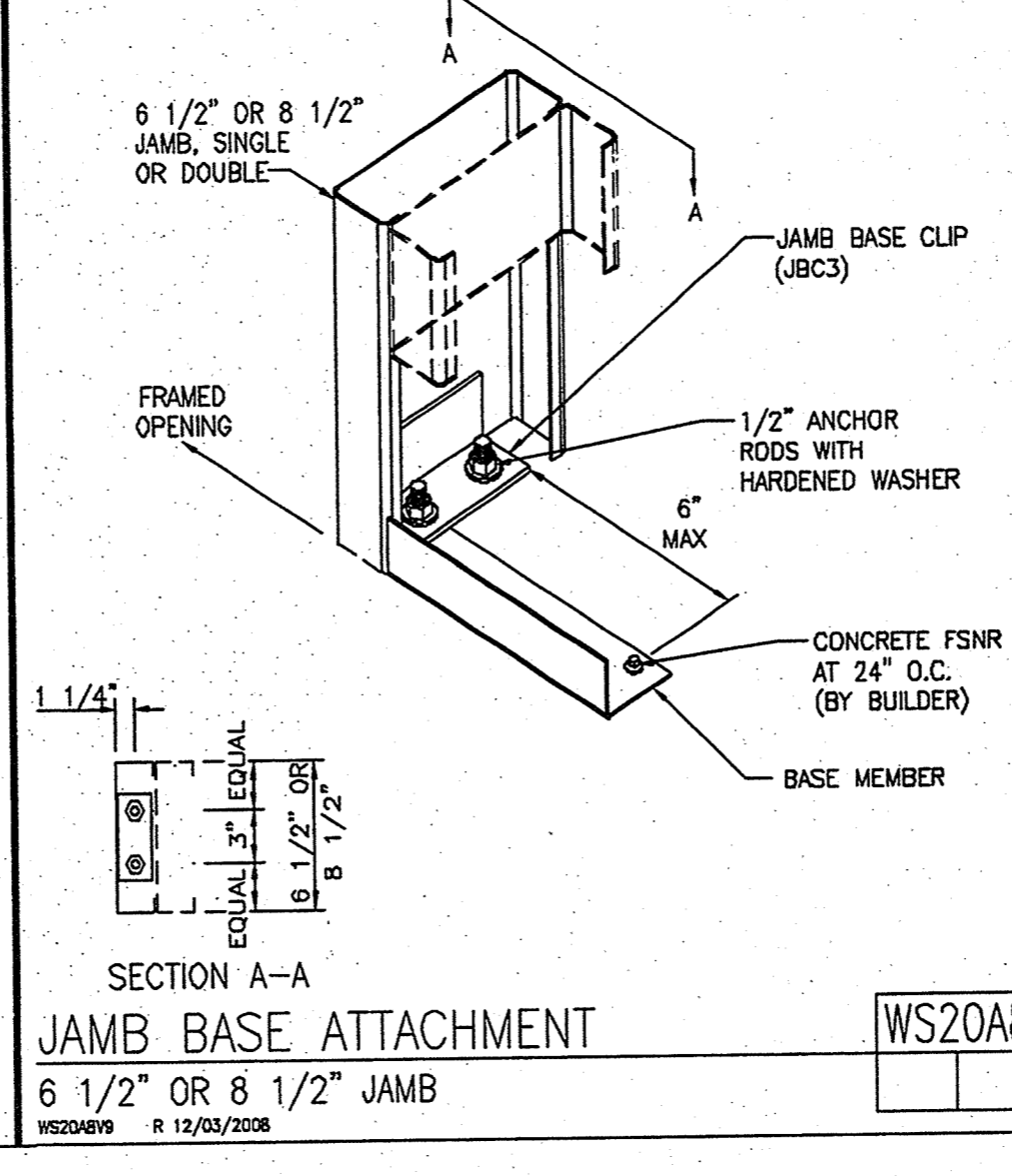
WS12D2V8 R 08/04/2008



JAMB TO GIRT WS20A2

8 1/2" JAMB, ANY ZEE GIRT

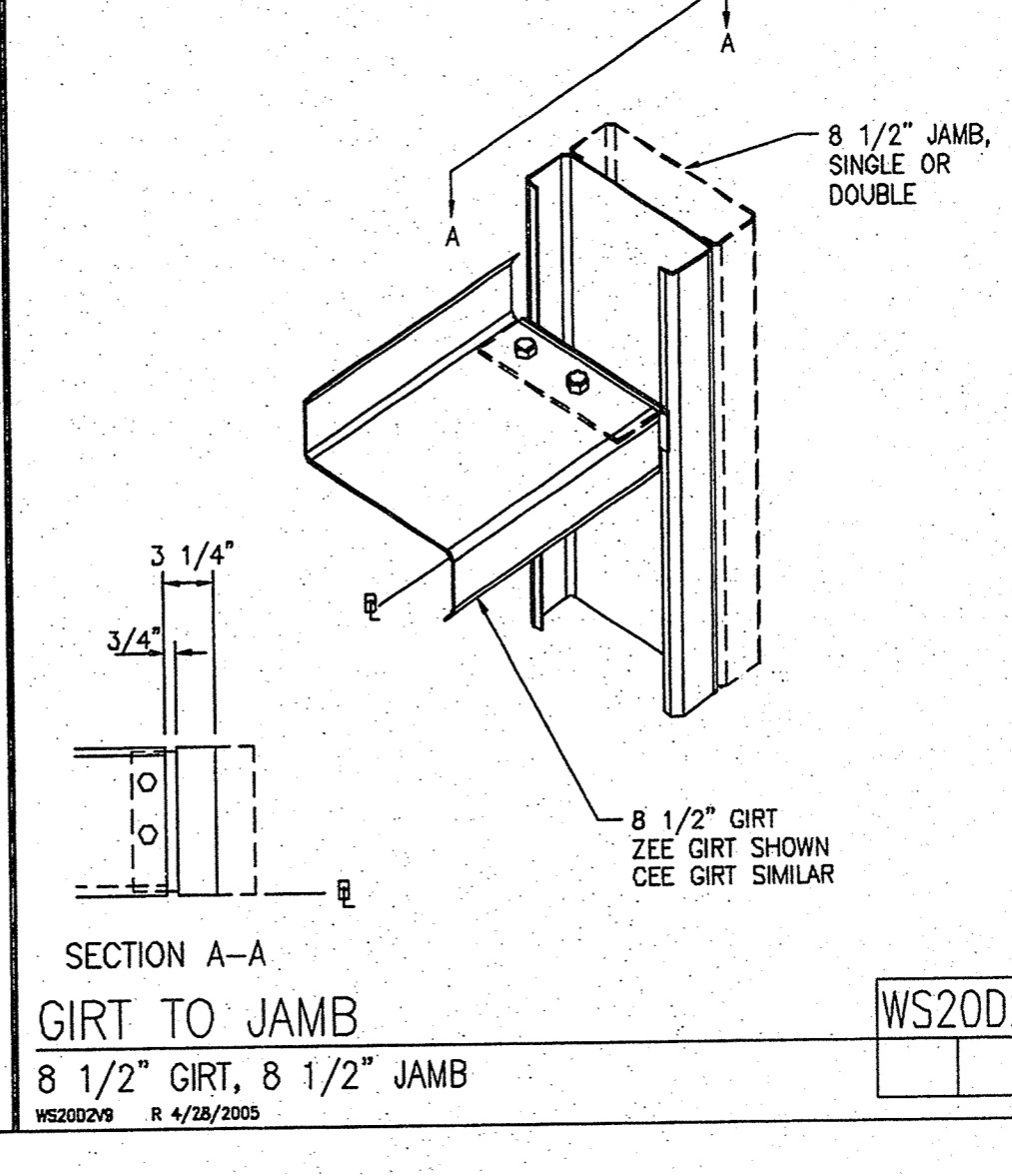
WS20A2V7 R 12/03/2008



JAMB BASE ATTACHMENT WS20A8

6 1/2" OR 8 1/2" JAMB

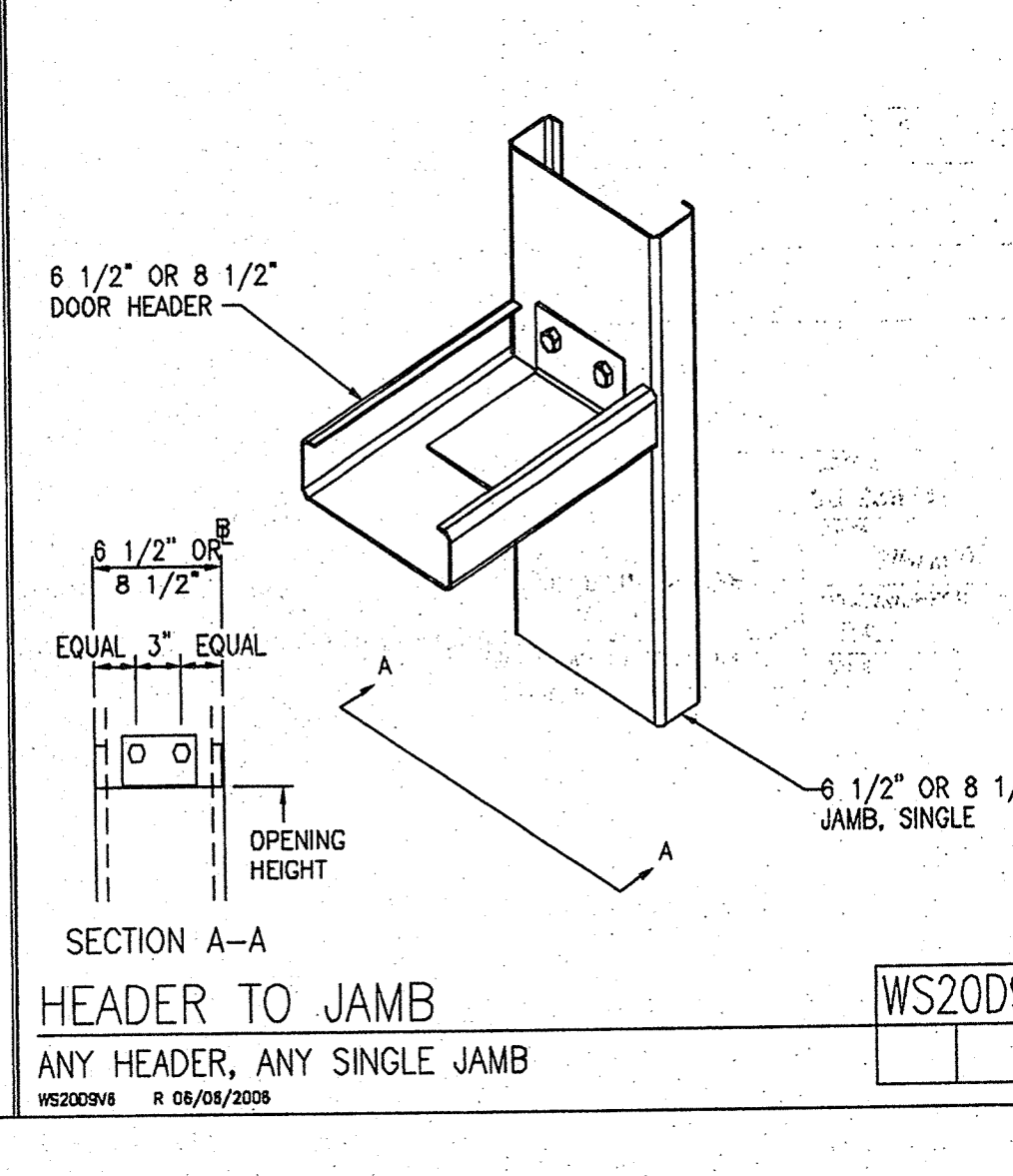
WS20A8V9 R 12/03/2008



GIRT TO JAMB WS20D2

8 1/2" GIRT, 8 1/2" JAMB

WS20D2V6 R 4/28/2005



HEADER TO JAMB WS20D9

ANY HEADER, ANY SINGLE JAMB

WS20D9V6 R 08/09/2005

THE VP ENGINEER'S SEAL APPLIES ONLY TO THE WORK PRODUCT OF VP AND DESIGN AND PERFORMANCE REQUIREMENTS SPECIFIED BY VP. THE VP ENGINEER'S SEAL DOES NOT APPLY TO THE PERFORMANCE OR DESIGN OF ANY OTHER PRODUCT OR COMPONENT FURNISHED BY VP EXCEPT TO ANY DESIGN OR PERFORMANCE REQUIREMENTS SPECIFIED BY VP.

THIS DRAWING, INCLUDING THE INFORMATION HEREON, REMAINS THE PROPERTY OF VP BUILDINGS. IT IS PROVIDED SOLELY FOR ERECTING THE BUILDING DESCRIBED IN THE APPLICABLE PURCHASE ORDER AND SHALL NOT BE MODIFIED, REPRODUCED OR USED FOR ANY OTHER PURPOSE WITHOUT PRIOR WRITTEN APPROVAL OF VP BUILDINGS. THE GENERAL CONTRACTOR AND/OR ERECTOR IS SOLELY RESPONSIBLE FOR ACCURATE, GOOD QUALITY WORKMANSHIP IN ERECTING THIS BUILDING IN CONFORMANCE WITH THIS DRAWING, DETAILS REFERENCED IN THIS DRAWING, ALL APPLICABLE VP ERECTION GUIDES, AND INDUSTRY STANDARDS PERTAINING TO PROPER ERECTION, INCLUDING THE CORRECT USE OF TEMPORARY BRACING.

VP Buildings

3200 Players Club Circle Memphis TN 38125

REV	DATE	BY	DESCRIPTION

NTS

BUILDING SED'S

BUILDER	Broadmoor, LLC
CUSTOMER	John F. Stennis Space Center
LOCATION	Stennis Space Center, Mississippi
PROJECT	Riverine and Combatant Craft Operations Facility
BUILDERS PO#	

<p>VP BUILDINGS VARCO PRUDEN BlueScope Steel Company VPC VERSION: 7.1c</p>	<p>JOBNO 08-28914</p> <p>DATE 2/6/2009</p> <p>DRAWN/CHECK RAT</p> <p>PAGE 32</p>
	<p>FILENAME: 08-28914 EDR VPC</p>