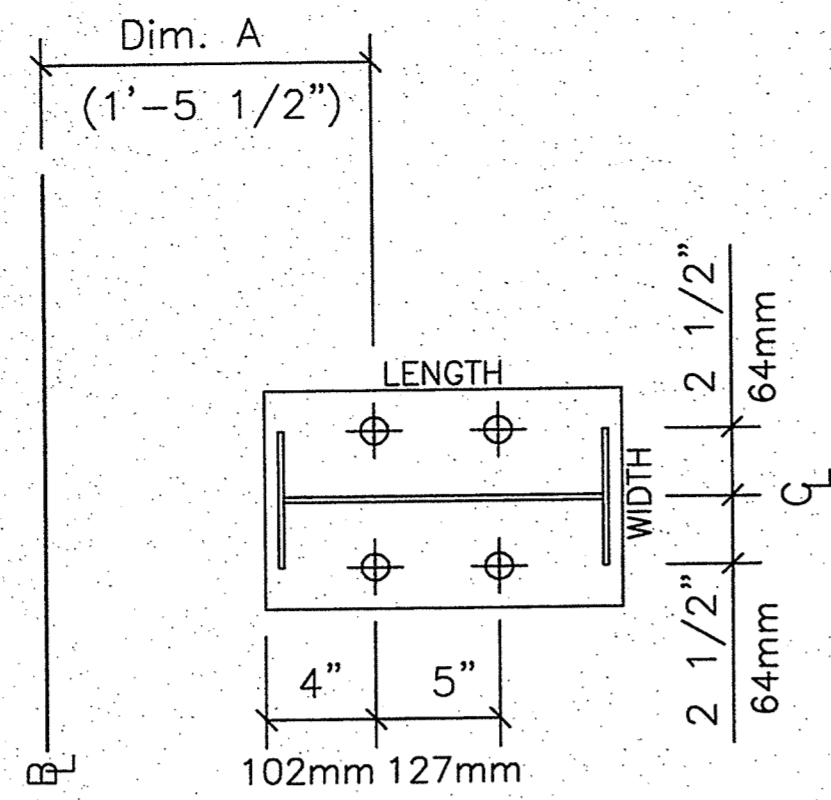
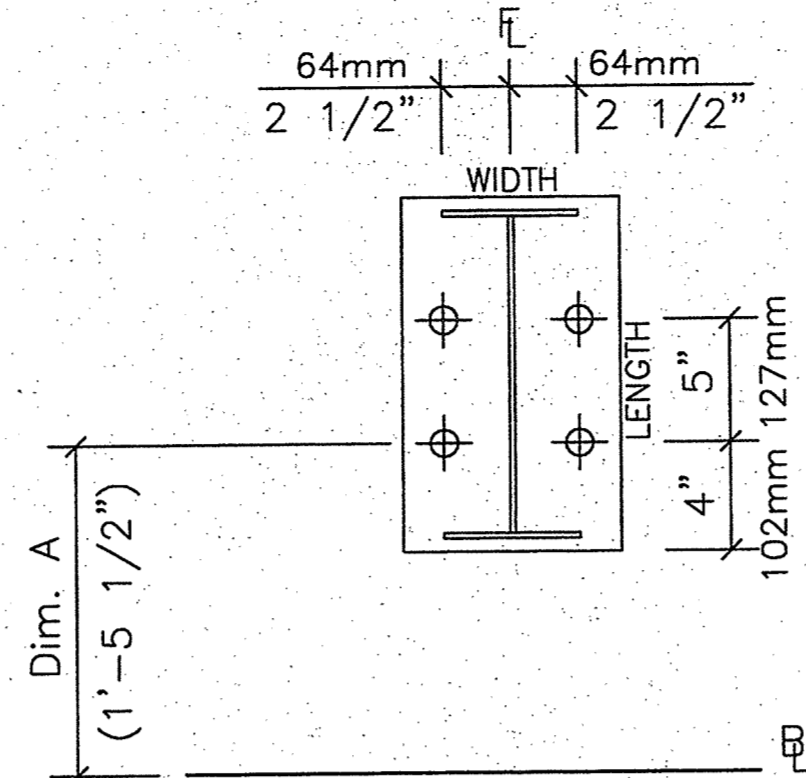


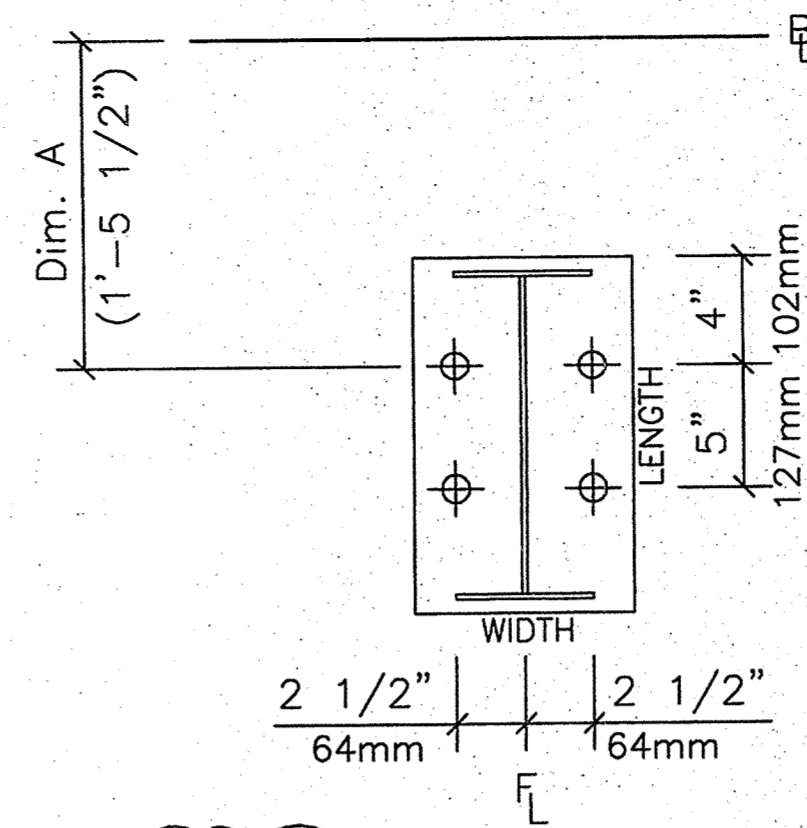
D1 (4) 3/4" Dia. A36 A.Rods
Plate W=9" L=1'-1"
Elev.=100'-0" Dim A=1'-5 1/2" Dim B=1'-7"



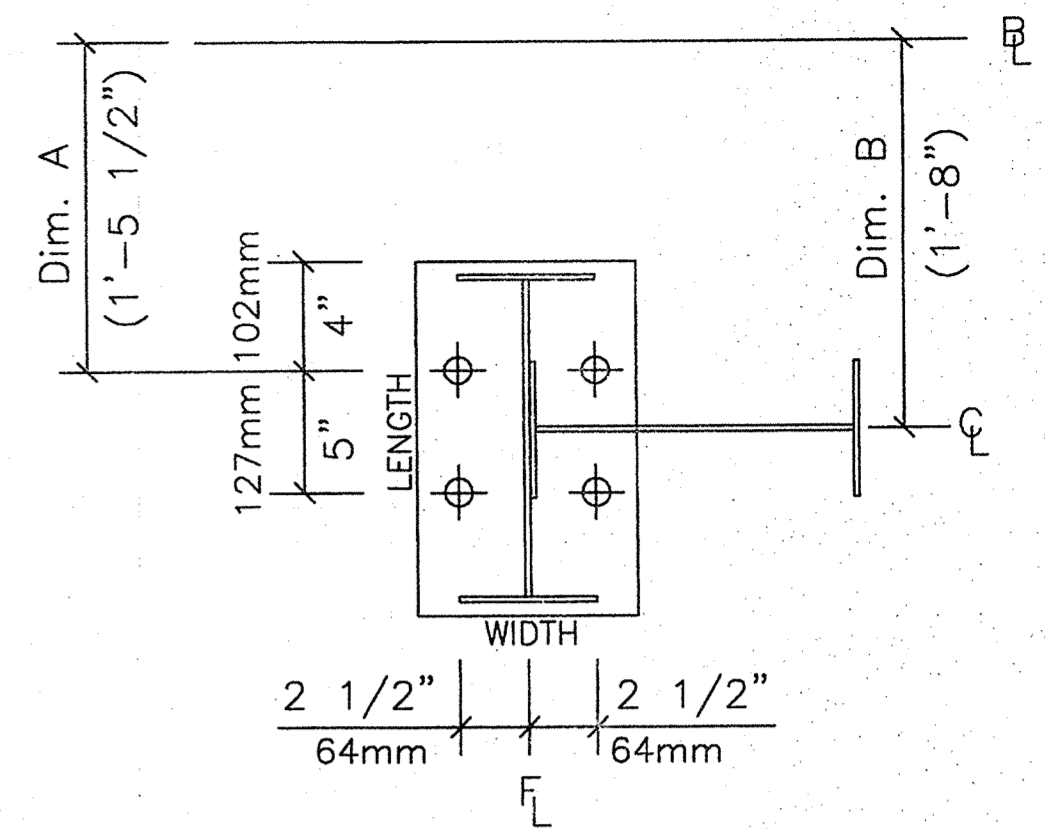
D2 (4) 3/4" Dia. A36 A.Rods
Plate W=11" L=1'-2"
Elev.=100'-0" Dim A=1'-5 1/2"



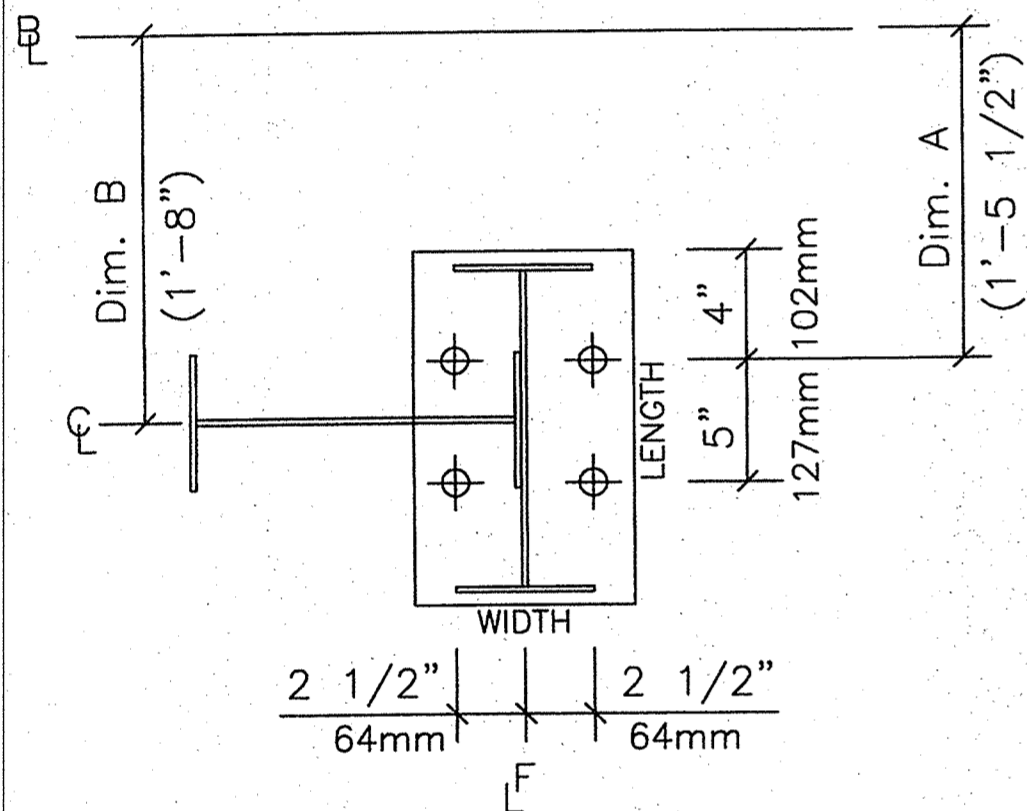
D3 (4) 1" Dia. A36 A.Rods
Plate W=9" L=1'-1"
Elev.=100'-0" Dim A=1'-5 1/2"



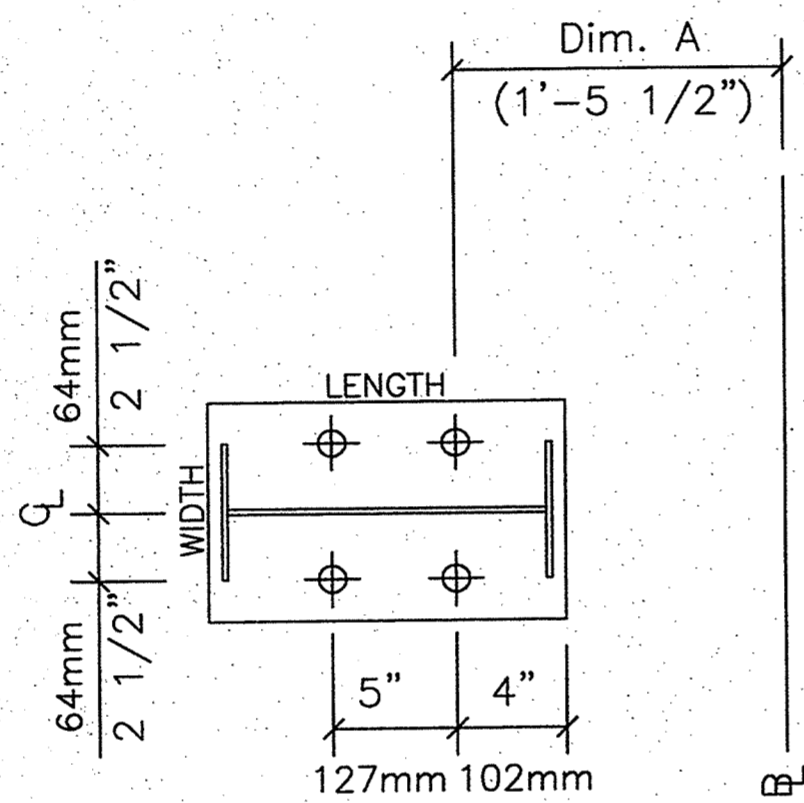
D4 (4) 3/4" Dia. A36 A.Rods
Plate W=9" L=1'-1"
Elev.=100'-0" Dim A=1'-5 1/2"



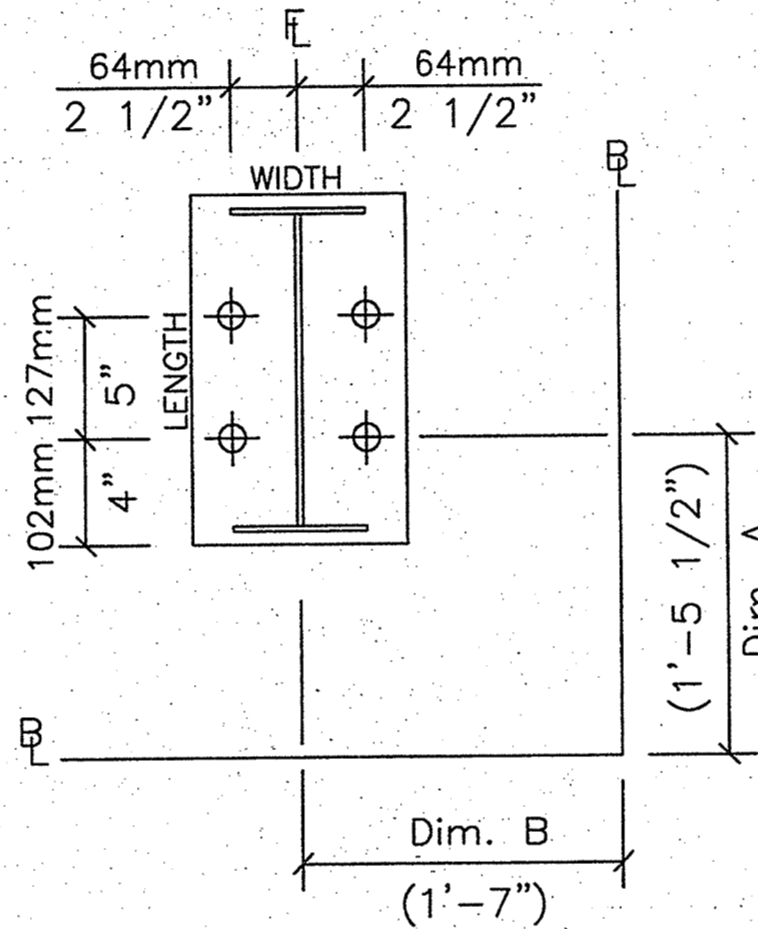
D5 (4) 3/4" Dia. A36 A.Rods
Plate W=9" L=1'-1"
Elev.=100'-0" Dim A=1'-5 1/2"



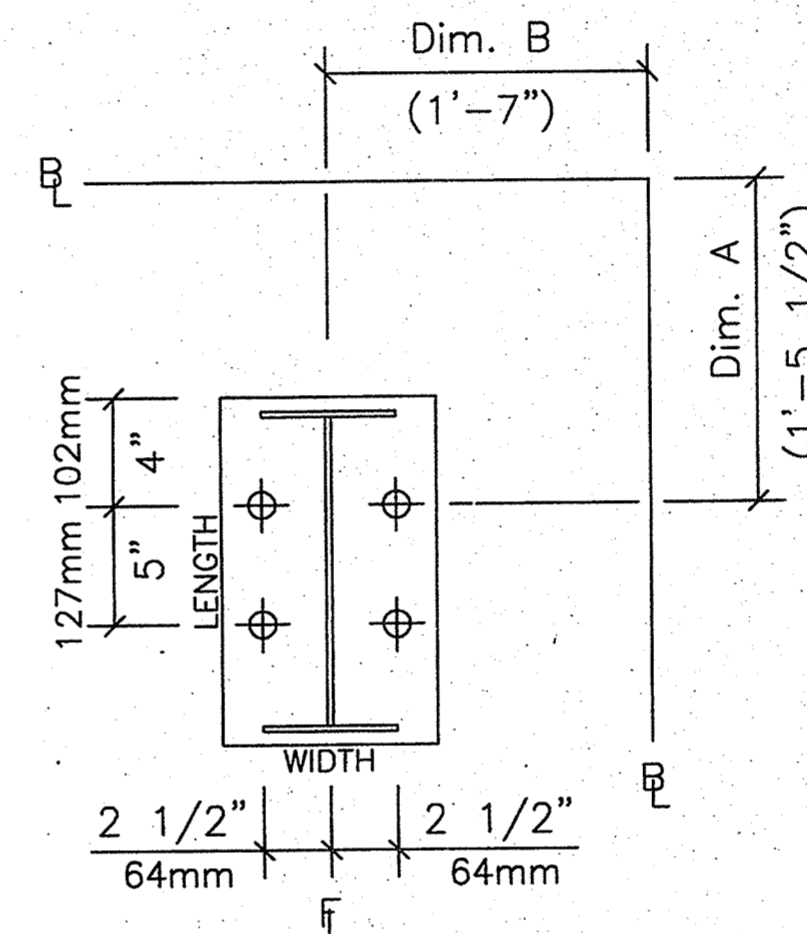
D6 (4) 3/4" Dia. A36 A.Rods
Plate W=9" L=1'-1"
Elev.=100'-0" Dim A=1'-5 1/2"



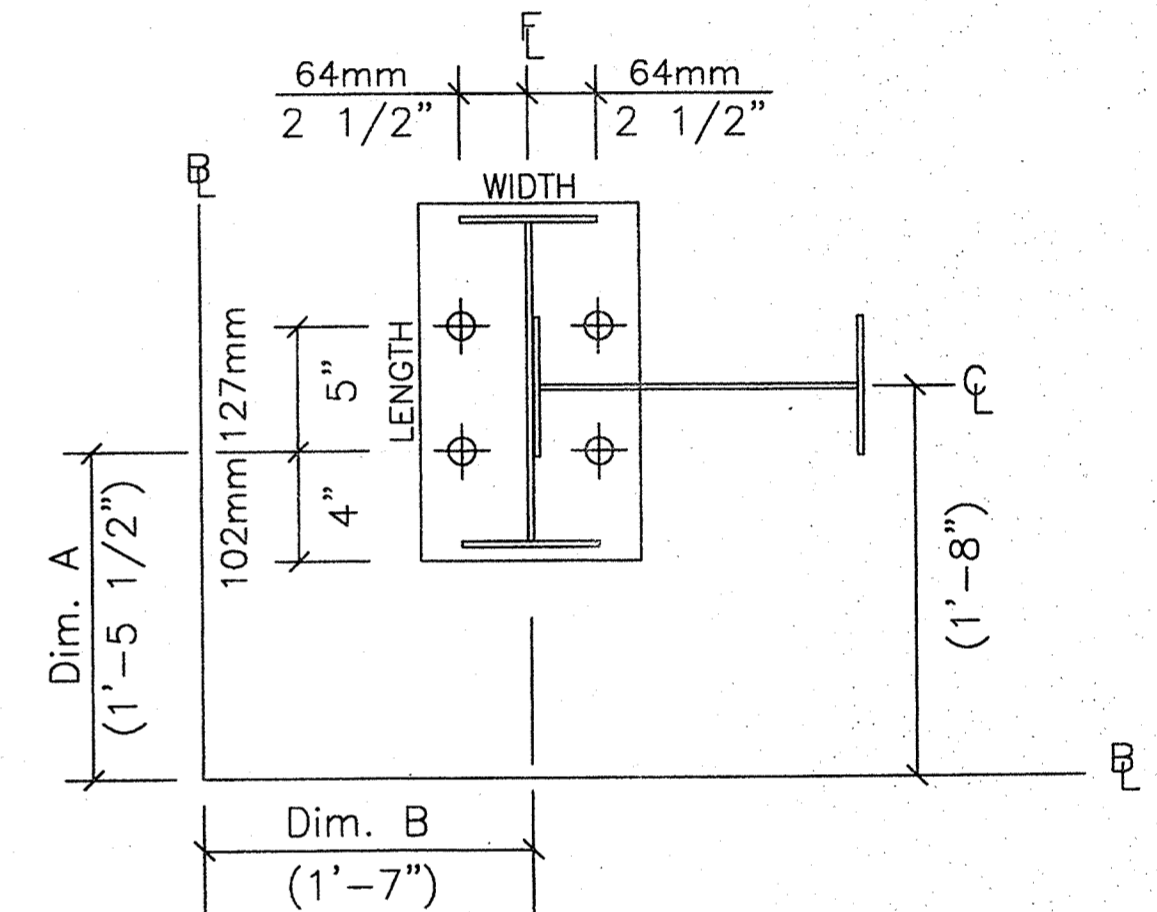
D7 (4) 3/4" Dia. A36 A.Rods
Plate W=11" L=1'-2"
Elev.=100'-0" Dim A=1'-5 1/2"



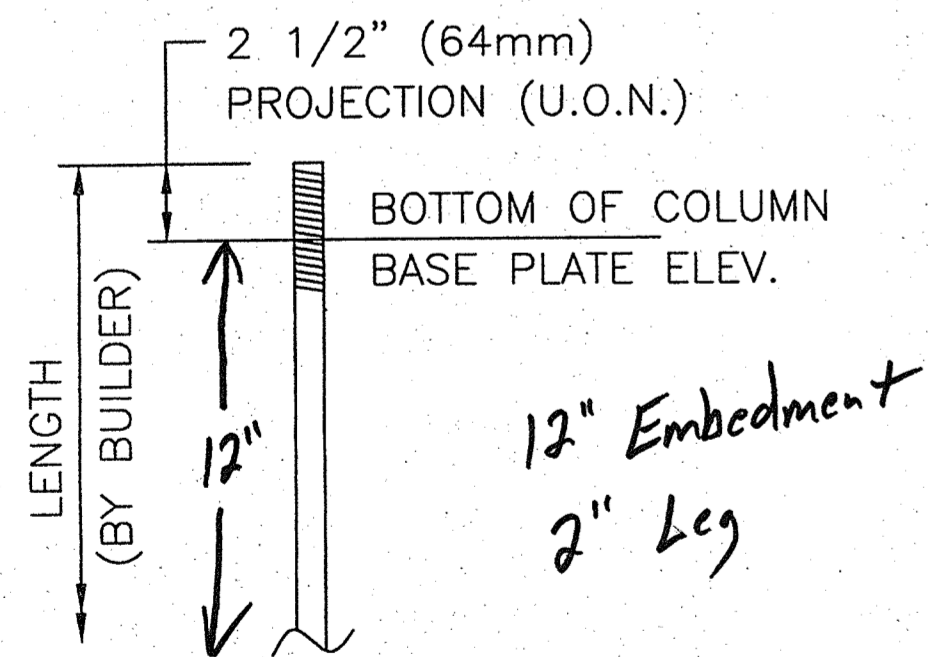
D8 (4) 3/4" Dia. A36 A.Rods
Plate W=9" L=1'-1"
Elev.=100'-0" Dim A=1'-5 1/2" Dim B=1'-7"



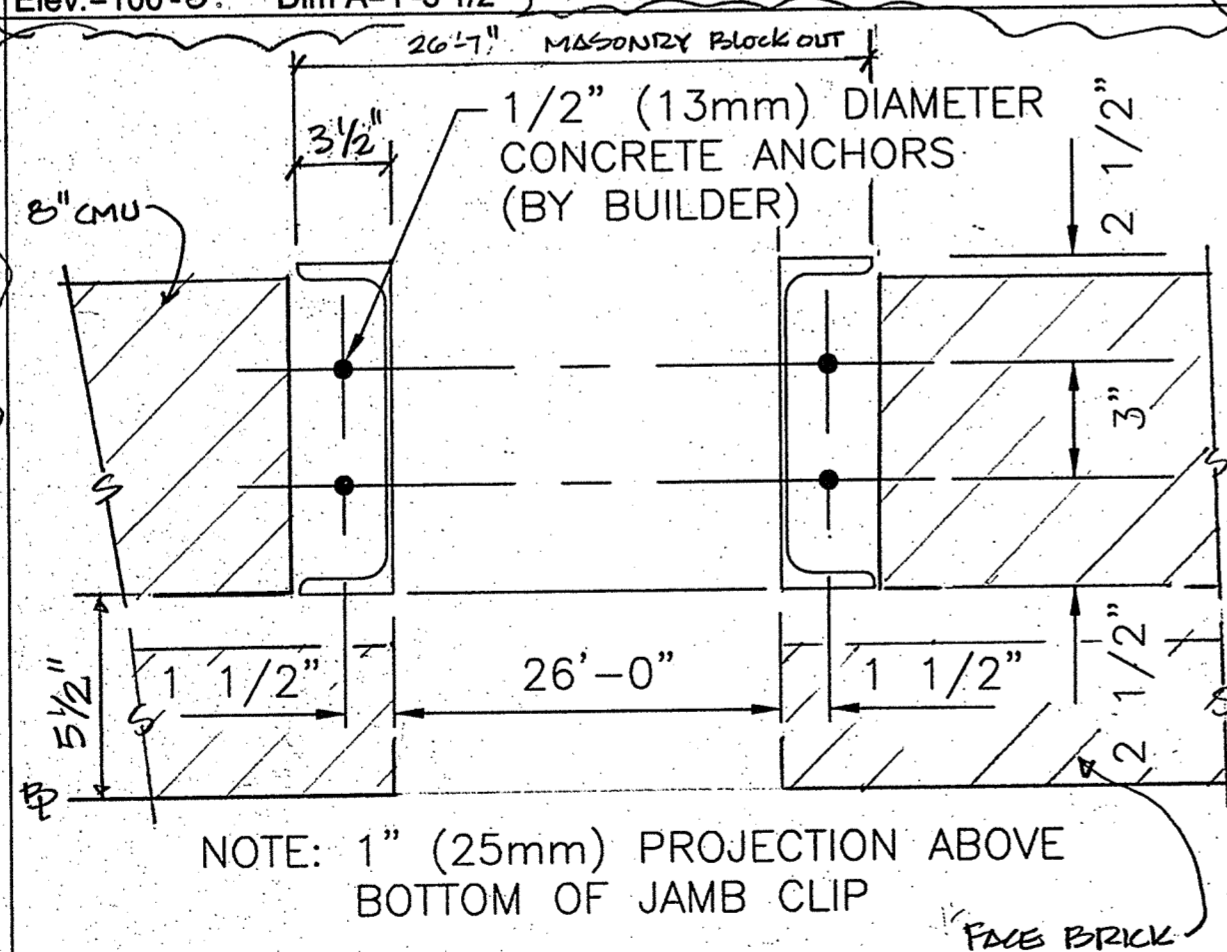
D9 (4) 3/4" Dia. A36 A.Rods
Plate W=9" L=1'-1"
Elev.=100'-0" Dim A=1'-5 1/2" Dim B=1'-7"



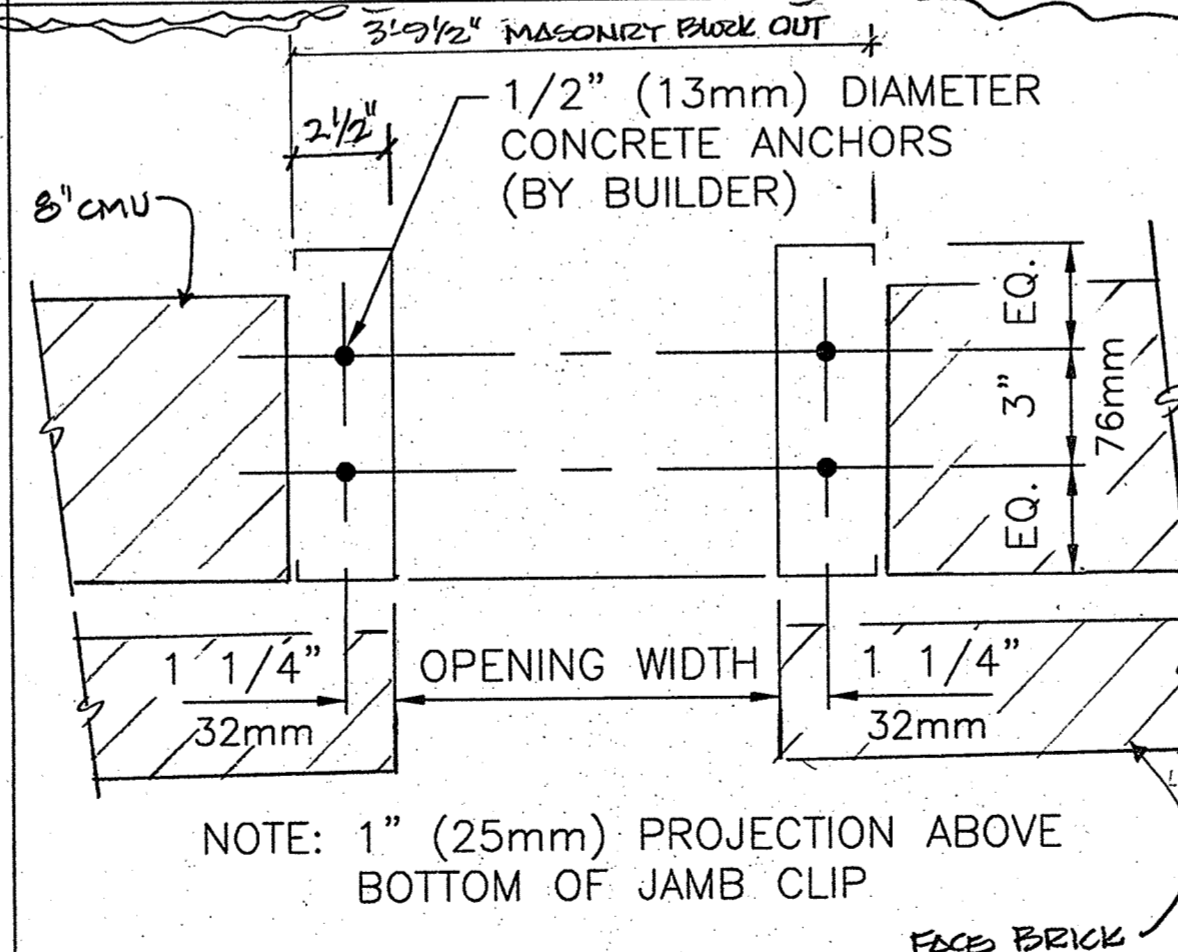
D1 (4) 3/4" Dia. A36 A.Rods
Plate W=9" L=1'-1"
Elev.=100'-0" Dim A=1'-5 1/2" Dim B=1'-7"



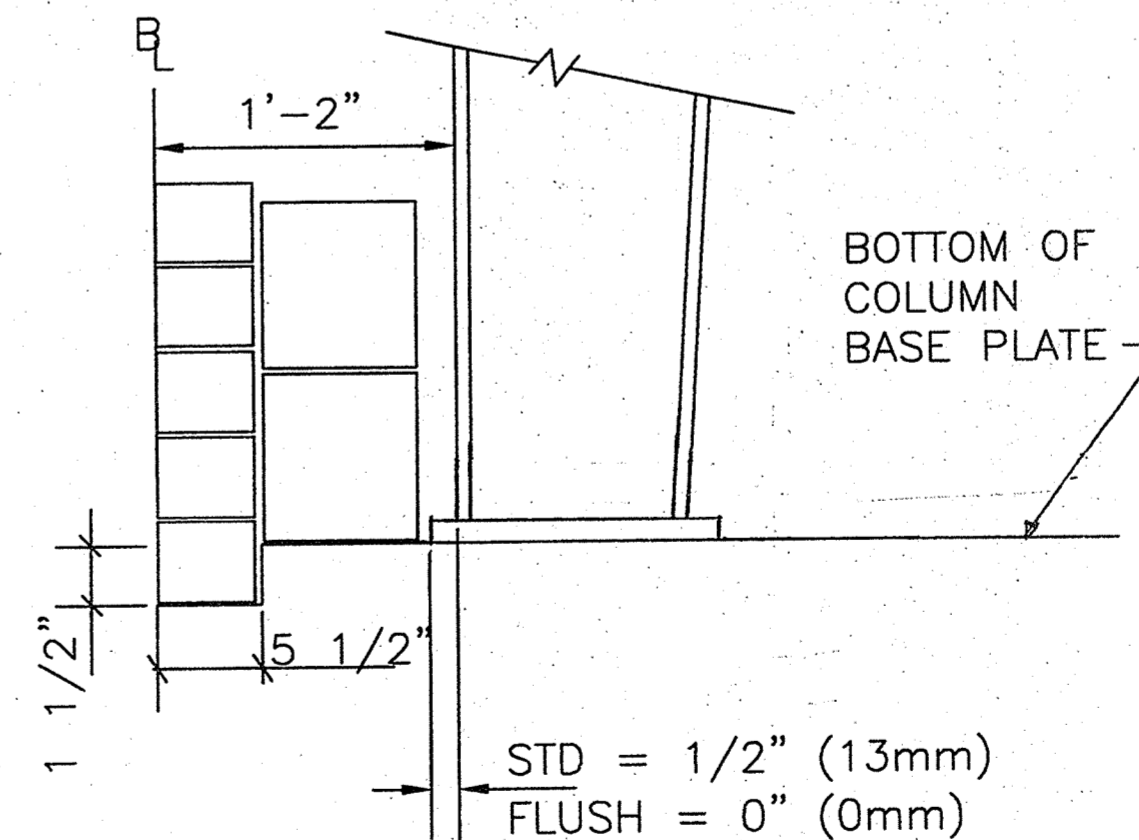
TYPICAL ANCHOR
ROD PROJECTION



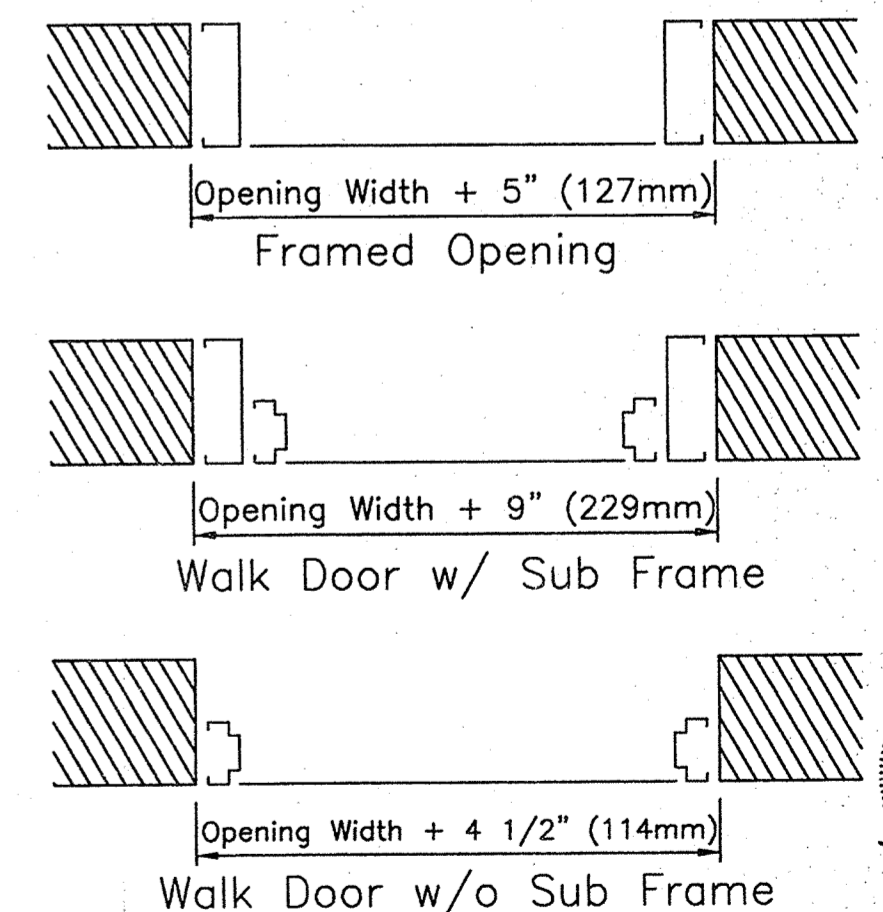
STRUCTURAL CHANNEL FRAMED OPENING
DETAIL (26 X 16 DRUM DOOR)



FRAMED OPENING DETAIL
(3010 WALK DOORS)



TYPICAL COLUMN
BASE PLATE DETAIL



FRAMED OPENING AT MASONRY

Finished Floor Elevation = 100'-0" (Unless Noted Otherwise)

FOR CONSTRUCTION

THE VP ENGINEER'S SEAL APPLIES ONLY TO THE WORK PRODUCT OF VP AND DESIGN AND PERFORMANCE REQUIREMENTS SPECIFIED BY VP. THE VP ENGINEER'S SEAL DOES NOT APPLY TO THE PERFORMANCE OR DESIGN OF ANY OTHER PRODUCT OR COMPONENT FURNISHED BY VP EXCEPT TO ANY DESIGN OR PERFORMANCE REQUIREMENTS SPECIFIED BY VP.

THIS DRAWING, INCLUDING THE INFORMATION HEREON, REMAINS THE PROPERTY OF VP BUILDINGS. IT IS PROVIDED SOLELY FOR ERECTING THE BUILDING DESCRIBED IN THE APPLICABLE PURCHASE ORDER AND SHALL NOT BE MODIFIED, REPRODUCED OR USED FOR ANY OTHER PURPOSE WITHOUT PRIOR WRITTEN APPROVAL OF VP BUILDINGS.

THE GENERAL CONTRACTOR AND/OR ERECTOR IS SOLELY RESPONSIBLE FOR ACCURATE, GOOD QUALITY WORKMANSHIP IN ERECTING THIS BUILDING IN CONFORMANCE WITH THIS DRAWING, DETAILS REFERENCED IN THIS DRAWING, ALL APPLICABLE VP ERECTION GUIDES AND INDUSTRY STANDARDS PERTAINING TO PROPER ERECTION, INCLUDING THE CORRECT USE OF TEMPORARY BRACING.

VP Buildings, Inc.
3200 Players Club Circle Memphis TN 38125

ANCHOR ROD PLAN - DETAILS

REV	DATE	BY	DESCRIPTION
Δ	3-16-2009	TLL	FOR CONSTR./EUMINSTE GROUP
NTS			

BUILDER	Broadmoor, LLC
CUSTOMER	John F. Stennis Space Center
LOCATION	Stennis Space Center, Mississippi
PROJECT	Riverine and Combatant Craft Operations
BUILDERS PO#	

VP BUILDINGS
VPC VERSION: 7.1c

JOB NO
08-28914
DATE
2-3-2009
DRAWN/CHECK
RAT
PAGE
4