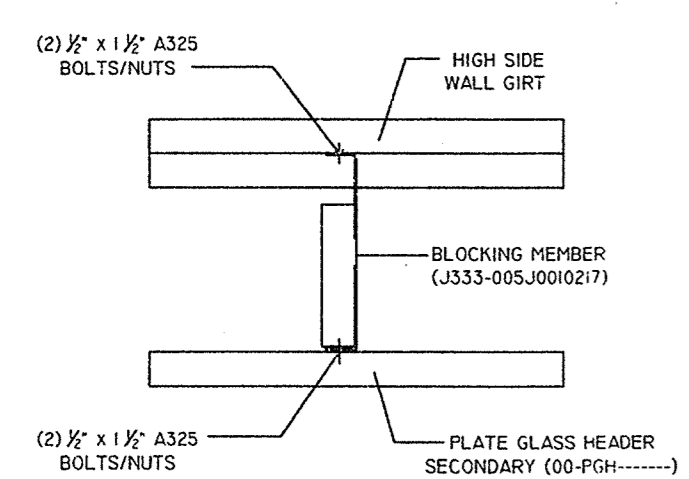


**A**  
27

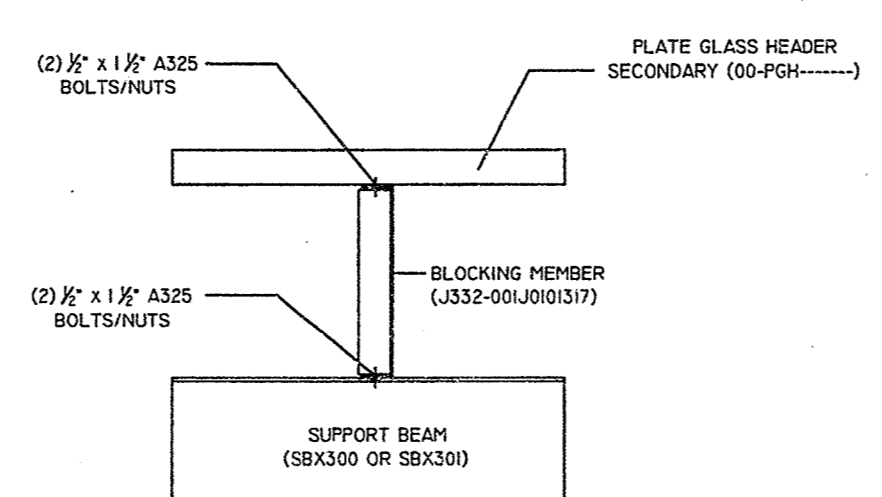
**JAMB BLOCKING MEMBER CONNECTIONS TO CLERESTORY SECONDARY AT GRID "C"**



CONNECT BLOCKING MEMBERS(005J0010217) TO WEB OF HIGH SIDE WALL GIRT AND TO PLATE GLASS HEADER GIRT WITH (2) 1/2" x 1 1/2" BOLTS AT EACH END OF BLOCKING MEMBER. FIELD DRILL (2) 3/8" DIAM. HOLES IN WEB OF HIGH SIDE WALL GIRT AS REQUIRED FOR CONNECTION OF BLOCKING MEMBER.

**B**  
27

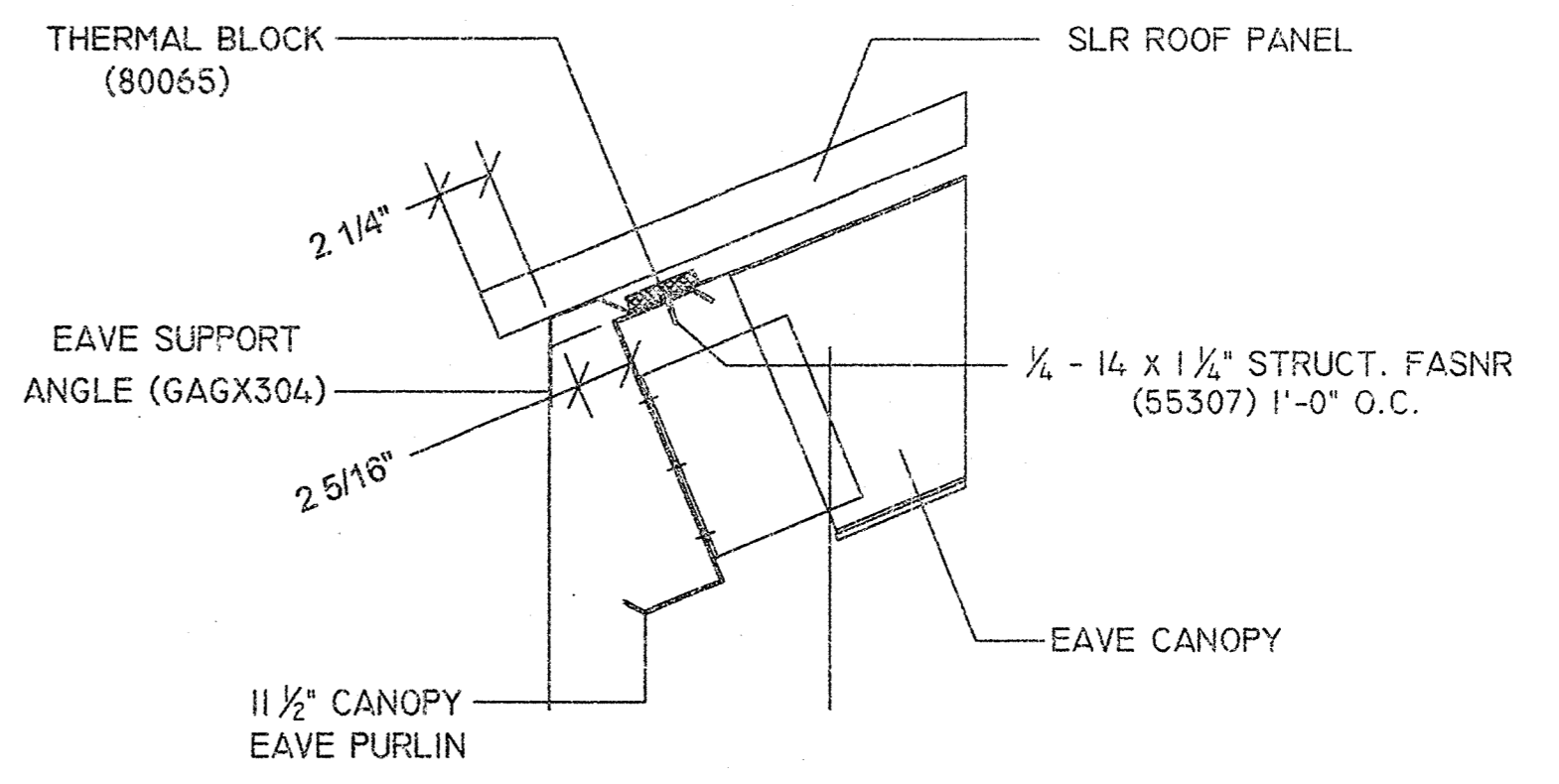
**JAMB BLOCKING MEMBER CONNECTIONS TO CLERESTORY SECONDARY AND SUPPORT BEAM AT GRID "C"**



CONNECT BLOCKING MEMBERS(001J0101317) TO FLANGE OF SUPPORT BEAM AND TO PLATE GLASS HEADER GIRT WITH (2) 1/2" x 1 1/2" BOLTS AT EACH END OF BLOCKING MEMBER.

**C**  
27

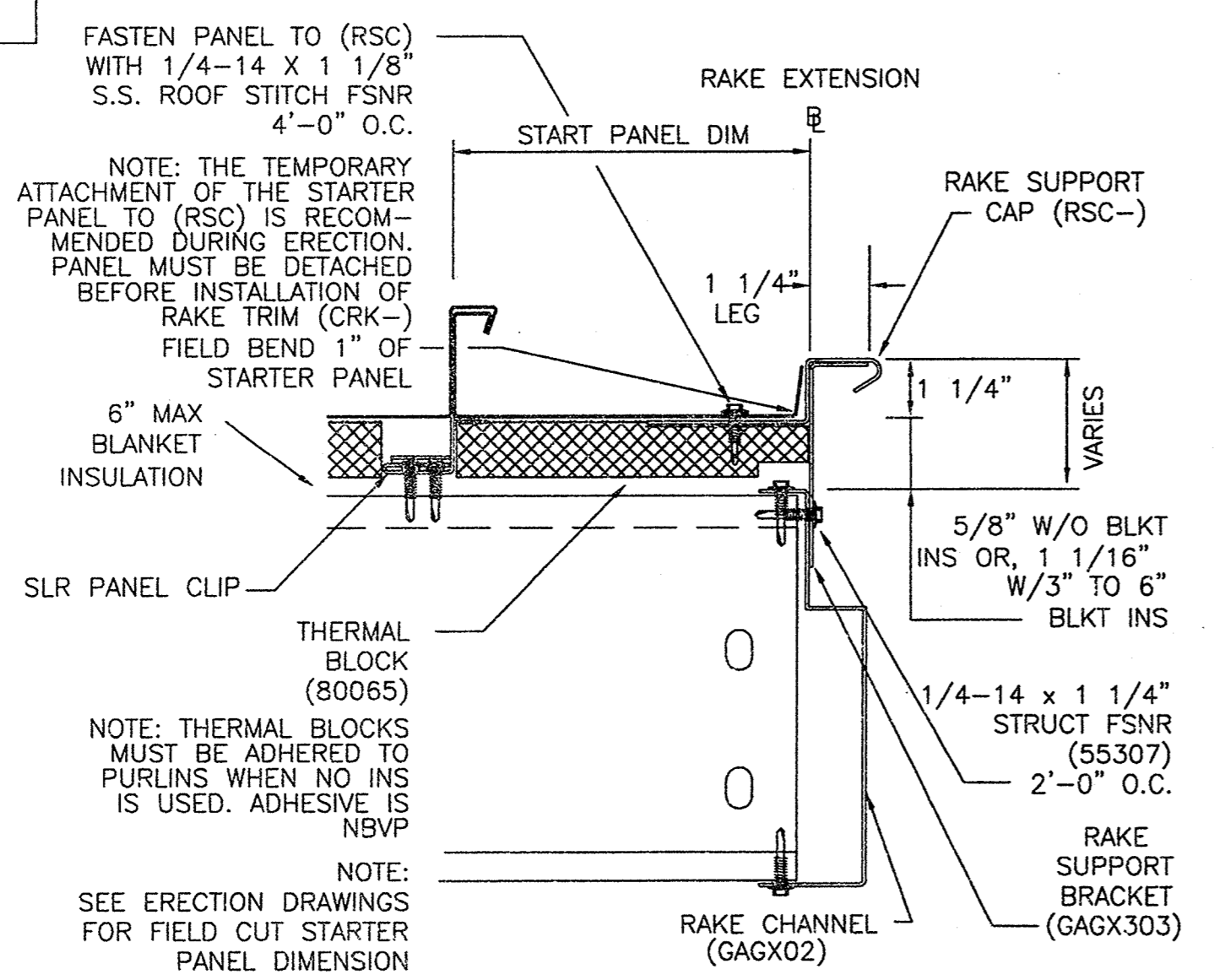
**GAGE ANGLE CONNECTION TO PURLIN AT LOW EAVE CANOPY**



NOTE: REMAINING EAVE GUTTER TRIM, GUTTER STRAPS, SOFFIT TRIM AND SOFFIT SUPPORT ANGLES ARE INCLUDED ON 08-28914EP8. REFER TO 08-28914EP8 FOR THESE TRIM MARK NUMBERS AND ERECTION DETAILS.

**D**  
27

**RAKE CHANNEL CONNECTION TO PURLIN AT RAKE EXTENSION**



FASTEN PANEL TO (RSC) WITH 1/4-14 X 1 1/8" S.S. ROOF STITCH FSNR 4'-0" O.C.

NOTE: THE TEMPORARY ATTACHMENT OF THE STARTER PANEL TO (RSC) IS RECOMMENDED DURING ERECTION. PANEL MUST BE DETACHED BEFORE INSTALLATION OF RAKE TRIM (CRK-) FIELD BEND 1" OF STARTER PANEL

6" MAX BLANKET INSULATION

SLR PANEL CLIP

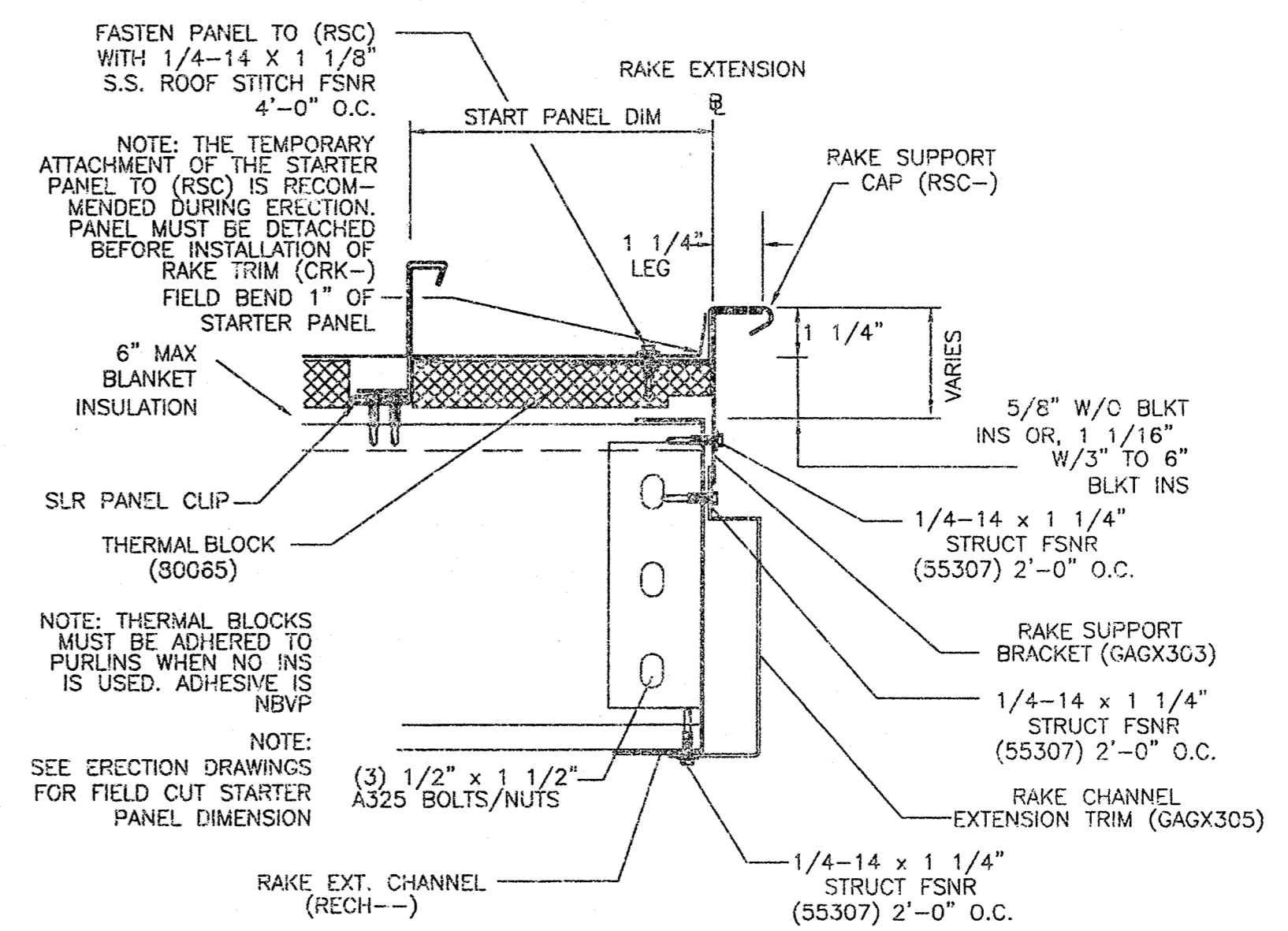
THERMAL BLOCK (80065)

NOTE: THERMAL BLOCKS MUST BE ADHERED TO PURLINS WHEN NO INS IS USED. ADHESIVE IS NBVP

NOTE: SEE ERECTION DRAWINGS FOR FIELD CUT STARTER PANEL DIMENSION

**E**  
27

**RAKE CHANNEL CONNECTION TO CANOPY PURLIN AT RAKE EXTENSION**



FASTEN PANEL TO (RSC) WITH 1/4-14 X 1 1/8" S.S. ROOF STITCH FSNR 4'-0" O.C.

NOTE: THE TEMPORARY ATTACHMENT OF THE STARTER PANEL TO (RSC) IS RECOMMENDED DURING ERECTION. PANEL MUST BE DETACHED BEFORE INSTALLATION OF RAKE TRIM (CRK-) FIELD BEND 1" OF STARTER PANEL

6" MAX BLANKET INSULATION

SLR PANEL CLIP

THERMAL BLOCK (80065)

NOTE: THERMAL BLOCKS MUST BE ADHERED TO PURLINS WHEN NO INS IS USED. ADHESIVE IS NBVP

NOTE: SEE ERECTION DRAWINGS FOR FIELD CUT STARTER PANEL DIMENSION

THE VP ENGINEER'S SEAL APPLIES ONLY TO THE WORK PRODUCT OF VP AND DESIGN AND PERFORMANCE REQUIREMENTS SPECIFIED BY VP. THE VP ENGINEER'S SEAL DOES NOT APPLY TO THE PERFORMANCE OR DESIGN OF ANY OTHER PRODUCT OR COMPONENT FURNISHED BY VP EXCEPT TO ANY DESIGN OR PERFORMANCE REQUIREMENTS SPECIFIED BY VP.

THIS DRAWING, INCLUDING THE INFORMATION HEREON, REMAINS THE PROPERTY OF VP BUILDINGS. IT IS PROVIDED SOLELY FOR ERECTING THE BUILDING DESCRIBED IN THE APPLICABLE PURCHASE ORDER AND SHALL NOT BE MODIFIED, REPRODUCED OR USED FOR ANY OTHER PURPOSE WITHOUT PRIOR WRITTEN APPROVAL OF VP BUILDINGS.

THE GENERAL CONTRACTOR AND/OR ERECTOR IS SOLELY RESPONSIBLE FOR ACCURATE, GOOD QUALITY WORKMANSHIP IN ERECTING THIS BUILDING IN CONFORMANCE WITH THIS DRAWING, DETAILS REFERENCED IN THIS DRAWING, ALL APPLICABLE VP ERECTION GUIDES, AND INDUSTRY STANDARDS PERTAINING TO PROPER ERECTION, INCLUDING THE CORRECT USE OF TEMPORARY BRACING.

VP Buildings			
3200 Players Club Circle Memphis TN 38125			
REV	DATE	BY	DESCRIPTION
NTS			

**DRAWING**

BUILDER Broadmoor, LLC  
 CUSTOMER John F. Stennis Space Center  
 LOCATION Stennis Space Center, Mississippi  
 PROJECT Riverine and Combatant Craft Operations Facility  
 BUILDERS PO#

NO. 4189

VP BUILDINGS  
 VARGO PRUDEN  
 A BlueScope Steel Company

JOBNO 08-28914EP3  
 DATE 4/30/09  
 DRAWN/CHECK BR BR  
 PAGE 27

FOR CONSTRUCTION